

PARTS MANUAL

SERIAL NO. _____

PS-1030
PS-1430
PS-1930



To view machine specific information on your mobile device, scan the code to the left.

Decals with this code can also be found on the manual box and base of the machine.



PRO SERIES

**MOBILE
ELEVATING
WORK
PLATFORMS**

**ANSI A92.20
CSA B354.6:17
EN-280:2013+A1:2015**

PS5.0-P | REV E

This manual refers to serial number(s):

PS-1030 PS10-50001 -

PS-1430 PS14-50001 -

PS-1930 PS19-50001 -

For older Serial Numbers refer to our website:

www.hybridlifts.com/Manuals.htm

Original instructions written in English.

The serial number is located above the control side caster. An additional reference is on the platform above the manual box.

General Information

2647 Hwy 175
Richfield, WI 53076
U.S.A.

+1-262-644-1300
+1-262-644-1320
www.hybridlifts.com

Service Information

+1-262-297-5195
webservice@hybridlifts.com

Parts Information

+1-262-297-5196
webparts@hybridlifts.com

Register your Hy-Brid Lift at:
www.hybridlifts.com/RegisterOnline.htm

- Register your Hy-Brid Lift to:**
- Recieve product updates and recalls
 - Recieve service bulletins, product and part recalls, and other important notifications
 - Comply with ANSI A92.20 Standards
 - Provide better records for service



WARNING

**REGISTERING YOUR MEWP WITH THE
MANUFACTURER IS AN ANSI A92.20
REQUIREMENT.**

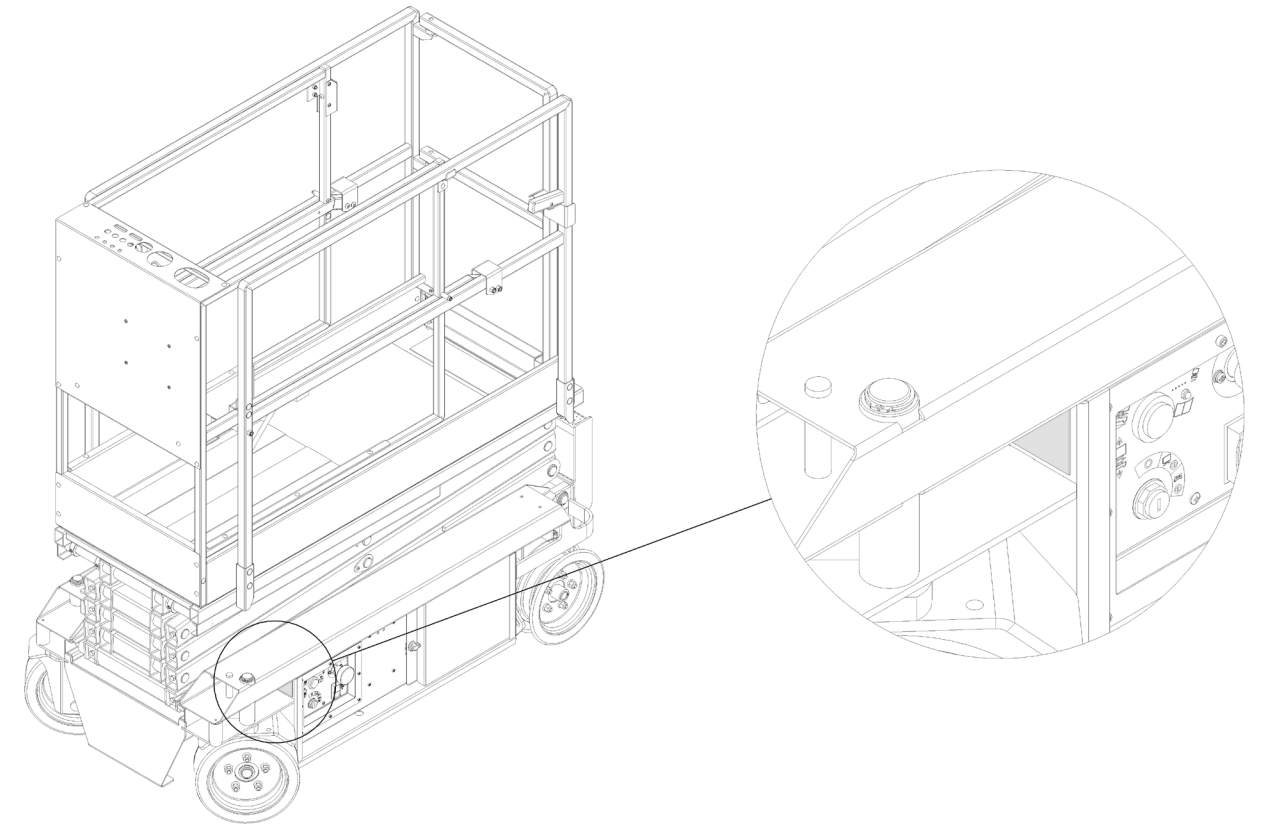


FIGURE 1: Serial Number Location

FOREWORD **3**

TABLE OF CONTENTS **4**

SECTION 1 BASE **6**

1.1 | POTHOLE GUARD PARTS 6

1.2 | POTHOLE ACTUATOR SUBPARTS 7

1.3 | STEER PARTS 8

1.4 | STEER ACTUATOR PART 9

1.5 | CENTER STEER SUBPARTS 10

1.6 | CASTER SUBPARTS 11

1.7 | DRIVE PARTS 12

1.8 | PUMP PARTS 14

1.9 | PUMP SUBPARTS 16

1.10 | MISCELLANEOUS 18

SECTION 2 CONTROLS **20**

2.1 | CONTROL PARTS 20

2.2 | MAIN CABLE SUBPARTS 22

2.3 | UPPER CONTROL PARTS 24

2.4 | LOWER CONTROL PARTS 25

SECTION 3 SCISSORS **26**

3.1 | PS-1030 SCISSOR PARTS 26

3.2 | PS-1430 & PS-1930 SCISSOR PARTS 28

3.3 | PS-1030 CYLINDER SUBPARTS 30

3.4 | PS-1430 & PS-1930 CYLINDER SUBPARTS 31

SECTION 4 PLATFORM & RAILS **32**

4.1 | PLATFORM & RAILS PARTS 32

SECTION 5 DECALS **36**

5.1 | PS-1030 DECALS 36

5.2 | PS-1430 DECALS 38

5.3 | PS-1930 DECALS 40

SECTION 6 OPTIONS & MISCELLANEOUS **42**

6.1 | OPTIONS 42

INDEX OF FIGURES

FIGURE 1: Serial Number Location 3

FIGURE 2: Pothole Guard Parts 6

FIGURE 3: Pothole Actuator Subparts 7

FIGURE 4: Steer Parts 8

FIGURE 5: Steer Actuator Part 9

FIGURE 6: Center Steer Subparts 10

FIGURE 7: Caster Subparts 11

FIGURE 8: Drive Parts 12

FIGURE 9: PS-1430, PS-1930 Pump Parts 14

FIGURE 10: PS-1430, PS-1930 Pump Parts 15

FIGURE 11: Pump Subparts 16

FIGURE 12: PS-1030, PS-1430 Base Miscellaneous Parts 18

FIGURE 13: PS-1930 Base Miscellaneous Parts 19

FIGURE 14: Controls/Electrical Parts 20

FIGURE 15: Main Cable Parts 22

FIGURE 16: Upper Control Parts 24

FIGURE 17: Lower Control Parts 25

FIGURE 18: PS-1030 Scissor Parts 26

FIGURE 19: PS-1430 & PS-1930 Scissor Parts 28

FIGURE 20: PS-1030 Cylinder Subparts 30

FIGURE 21: PS-1430 & PS-1930 Cylinder Subparts 31

FIGURE 22: Platform & Rail Parts 32

FIGURE 23: PS-1030 Decals 36

FIGURE 24: PS-1430 Decals 38

FIGURE 25: PS-1930 Decals 40

FIGURE 26: Options & Miscellaneous 42

REVISION LOG:

REV A May 2020

REV B November 2020

REV C June 2021

REV D October 2021

REV E May 2022

1.1 | POTHOLE GUARD PARTS

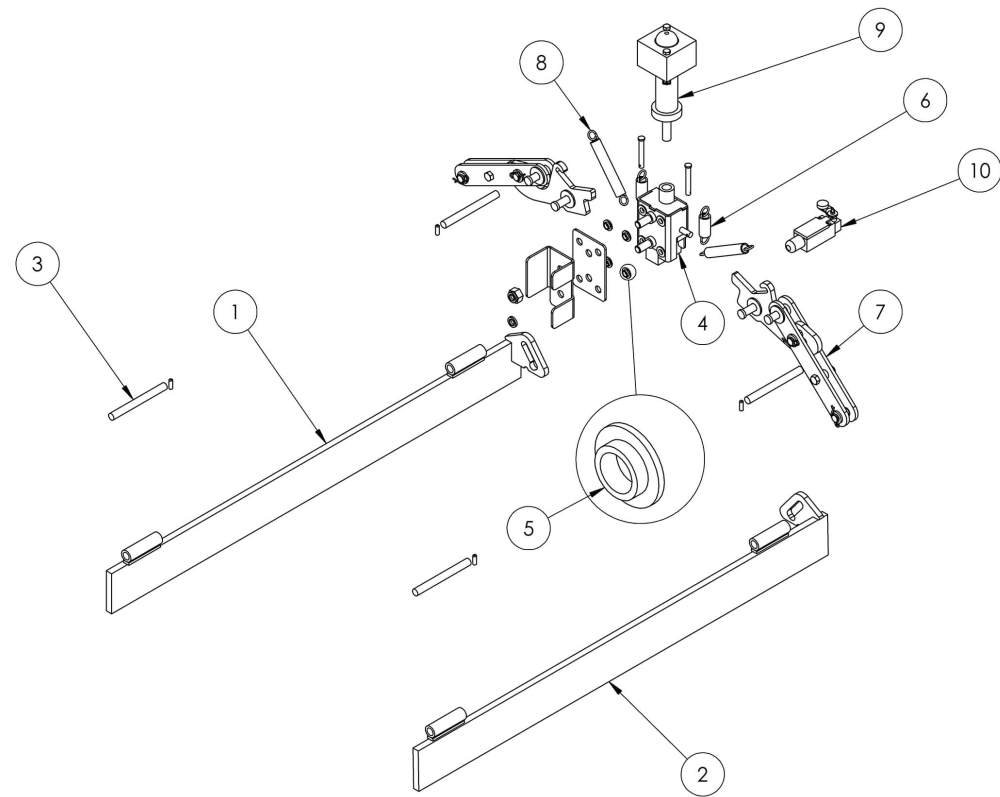


FIGURE 2: Pothole Guard Parts

Item #	Part Number	Part Description	Notes	Qty	Superseded By
1	112-01-542-01	BASE,PH BAR R (PS 12.0 WHL)		1	
2	112-01-543-01	BASE,PH BAR L (PS 12.0 WHL)		1	
3	RND-HB-002-P	PIN,HINGE,0.50,5.0		1	
4	112-21-523-50-K	ASM,BASE PH LOCK		1	
5	HARD-626-3	WASH,0.38ID,0.5D,0.19THK,NYL		8	
6	HARD-702	SPRING, EXT 3X .75		2	
7	112-21-527-50-K	ASM,BASE PH ARMS		1	
8	HARD-701	SPRING,EXT 5.5X0.6875,OD		2	
9	112-21-528-50-K	ASM,BASE PH ACT		1	
10	ELEC-123-5	SWITCH,LIMIT,ROT LVR,NO/NC PO		1	

1.2 | POTHOLE ACTUATOR SUBPARTS

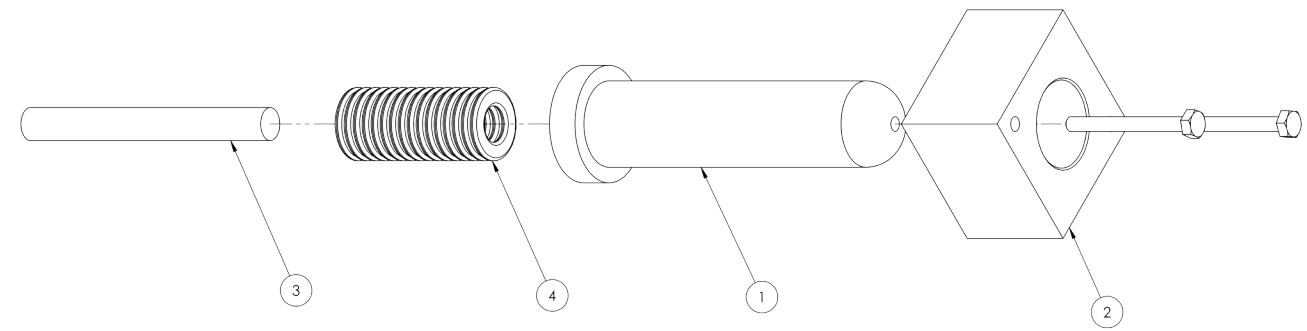


FIGURE 3: Pothole Actuator Subparts

Item #	Part Number	Part Description	Notes	Qty	Superseded By
1	112-01-547-04	BASE,PH RET SLEEVE		1	
2	112-01-435-03	BASE,PH GUIDE BLOCK-1.5 ID		1	
3	HB-M220-P	PH PLUNGER ROD		1	
4	HARD-654	SPRING,COMP,3 X 1.2500,OD		1	

1.3 | STEER PARTS

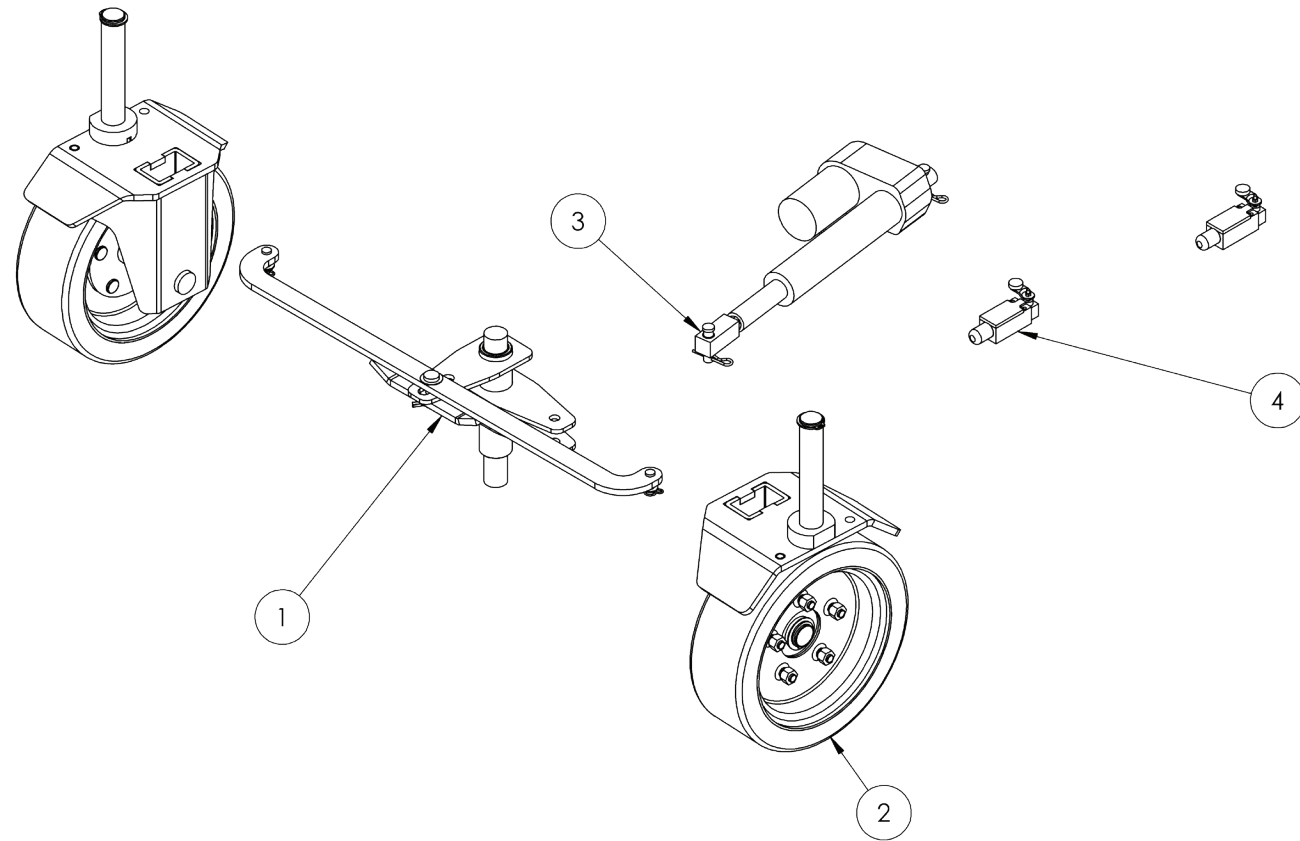


FIGURE 4: Steer Parts

Item #	Part Number	Part Description	Notes	Qty	Superseded By
1	112-21-512-50-K	ASM,BASE FRONT STEERING		1	
2	112-21-513-50-K	ASM,BASE FRONT WHEELS		2	
3	112-21-514-50-K	ASM,ACTUATOR PS S5		1	
4	ELEC-123-5	SWITCH,LIMIT,ROT LVR,NO/NC PO		2	

1.4 | STEER ACTUATOR PART

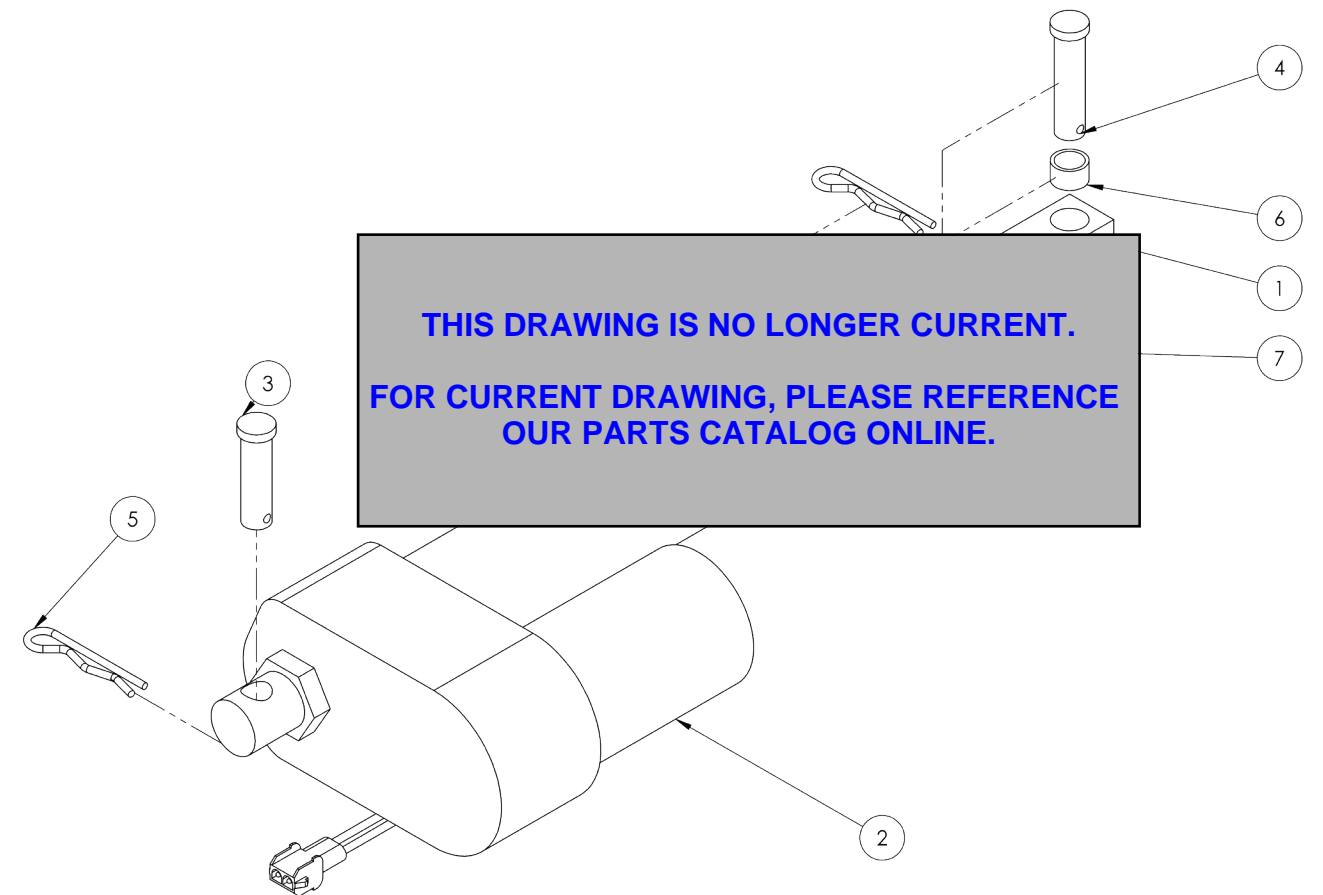


FIGURE 5: Steer Actuator Part

Item #	Part Number	Part Description	Notes	Qty	Superseded By
1	112-01-534-02	BASE,STEER ACT THREADED		1	
2	ELEC-650	ACTUATOR		1	
3	HARD-641-6	.50 X 1.50UX 1.75L CLEVIS PIN		1	
4	HARD-641-11	.50 X 1.75UX 2.00L CLEVIS PIN		1	
5	HARD-655	1/2 HAIRPIN COTTER PIN		2	
6	HARD-845	DU BEARING,1/2ID,5/8OD,3/8 LONG		2	
7	NUTS-6000	1/2-20 HEX JAM NUT,THIN		1	

1.5 | CENTER STEER SUBPARTS

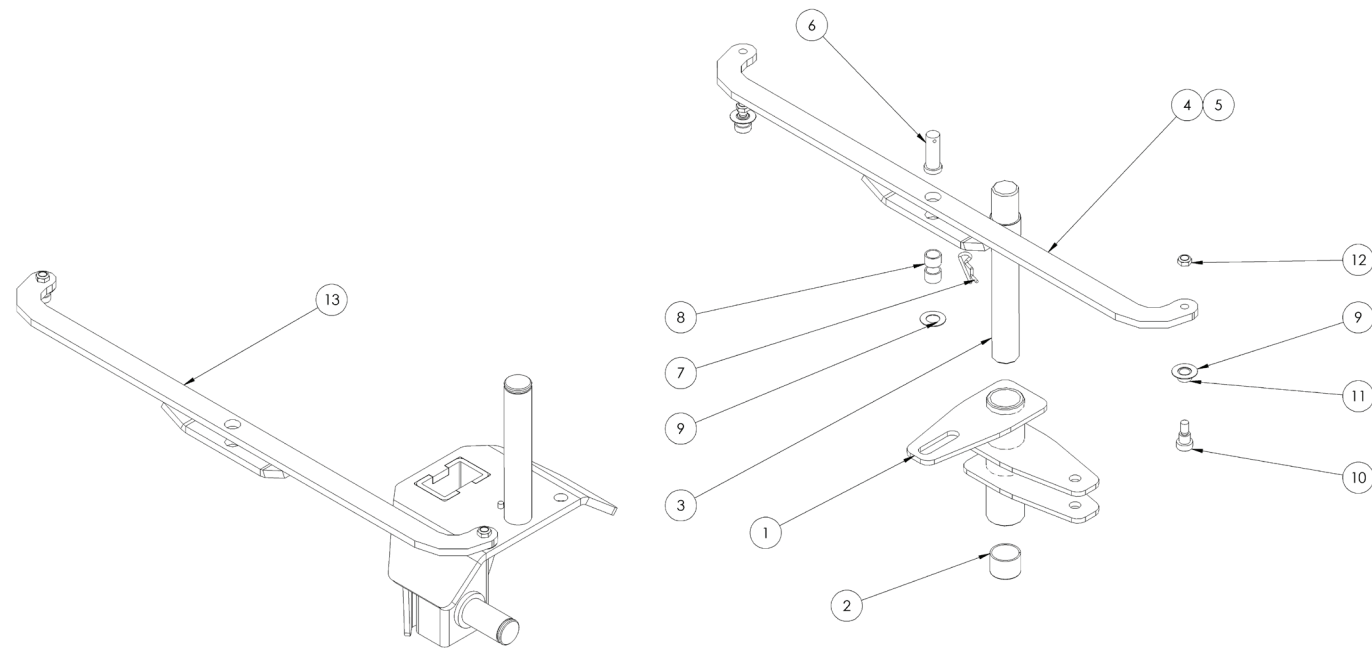
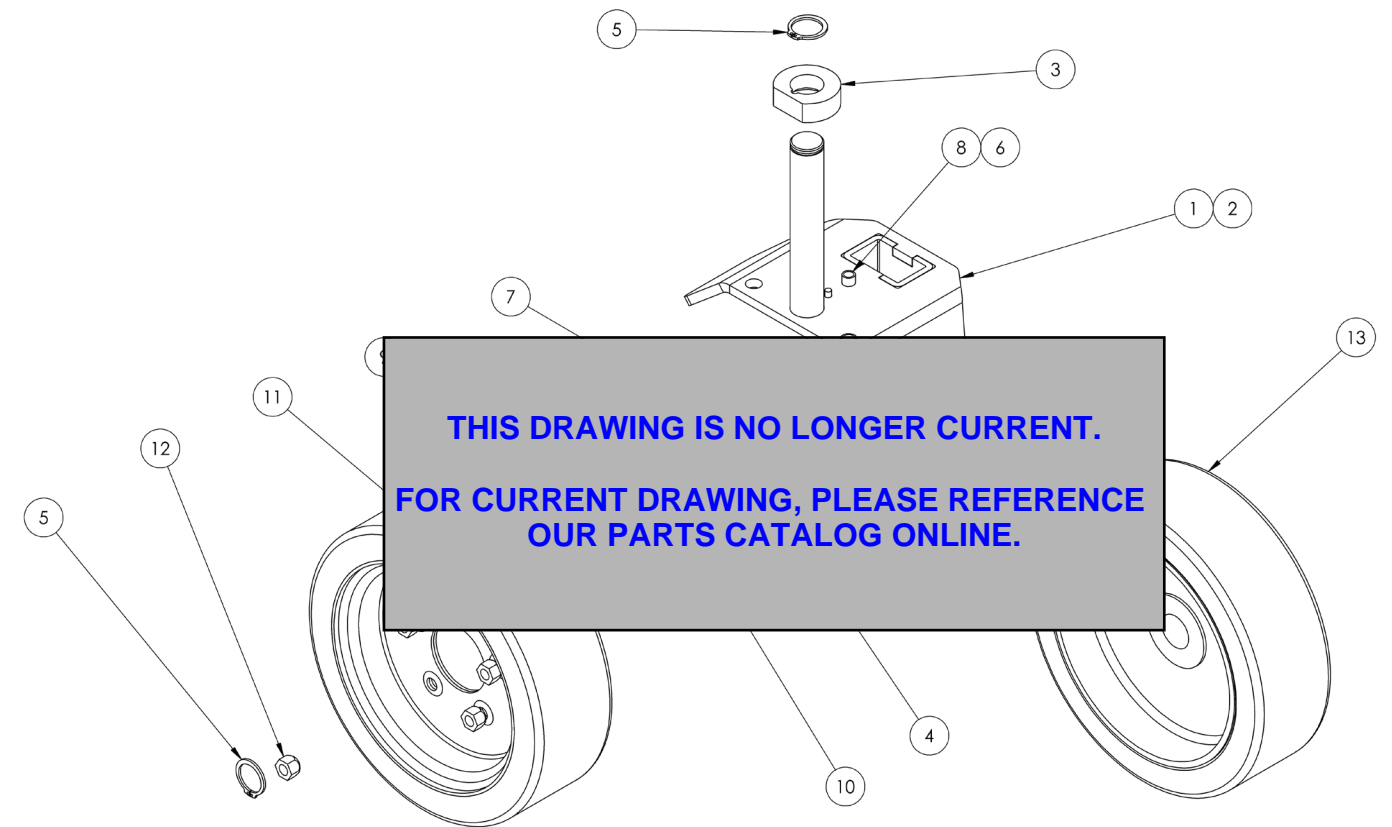


FIGURE 6: Center Steer Subparts

Item #	Part Number	Part Description	Notes	Qty	Superseded By
1	112-01-535-02	BASE,STEER ACT WLDMNT		1	
2	HARD-001	DU BEARING, 1.25 ID, 1 LENGTH		2	
3	112-06-503-02	PIN,BASE STEER 1.25		1	
4	112-21-552-50-K	ASM, STEERING TIEROD		1	
5	112-01-556-02	BASE, TIE ROD WLDMNT		1	
6	HARD-641-34	CLEVIS PIN,5/8,1-1/2UL,ZINC		1	
7	HARD-655	1/2 HAIRPIN COTTER PIN		1	
8	HARD-843	DU BEARING,5/8ID,3/4OD,1/2LONG		2	
9	WASH-6301	WASHER,5/8X1.2X.035		3	
10	BOLT-5038	SHOULDER, 1/2 X 7/19, 3/8-16		2	
11	HARD-845	DU BEARING, 1/2ID,5/8OD,3/8 LONG		2	
12	NUTS-3823	3/8-16 NUT,NYLON LOCK,THIN,GR8		2	
13	112-21-553-50-K	ASM,PS STEERING		1	

1.6 | CASTER SUBPARTS



**THIS DRAWING IS NO LONGER CURRENT.
FOR CURRENT DRAWING, PLEASE REFERENCE
OUR PARTS CATALOG ONLINE.**

FIGURE 7: Caster Subparts

Item #	Part Number	Part Description	Notes	Qty	Superseded By
1	112-01-590-02	BASE, CASTER WLDMNT,SHORT PIN		1	
2	112-01-530-02	BASE, CASTER WLDMNT		1	
3	112-01-546-04	BASE, CASTER SPACER		1	
4	HARD-001	DU BEARING, 1.25 ID, 1 LENGTH		2	
5	HARD-022	1.25 RETAINING RING,EXT		2	
6	HARD-845	DU BEARING, 1/2 ID, 5/8 OD, 3/8 LONG		1	
7	WASH-1026	1.25X1.75X0.045 WASH		4	
8	HARD-844	DU BEARING, 3/8 ID, 1/2 OD, 3/8 LONG	ORDER ALONGSIDE HARD-845 FOR BORES OF 5/8 IN.	1	
9	112-01-540-02-K	BASE,FRONT WHL HUB WLDMNT		1	
10	SPS-4420	7/16-20,WHL STUD,1-5/16		5	
11	WHEE-624	WHL,12X4,NM RUBBER		1	
12	WHEE-735	WHL,LUG NUT 7/16-20		5	
13	WHEE-301	WHEEL, 12X4, INT HUB, IDLER		1	

1.7 | DRIVE PARTS



FIGURE 8: Drive Parts

Item #	Part Number	Part Description	Notes	Qty	Superseded By
1	BOLT-5003	1/2-13 X 1.2500 HHCS		8	
2	ELEC-790	DRIVE MOTOR,24V,AUB		2	
3	ELEC-790-3	ELEC BRAKE, 24V		2	
4	HARD-021	RET RING 1.0		2	
5	HARD-760	CAP,0.25 RND, VINYL		4	
6	NUTS-5021	1/2-13 NYLOK NUT		8	
7	WASH-5000	0.53X1.06X0.14 WASH 1/2		8	
8	WHEE-302	WHEEL,12X4,INT HUB,DRIVE		2	
9	112-01-572-02	HUB, KEYWAY 1.0.2.0		2	
10	WHEE-624	WHL, 12X4, NM RUBBER		2	
11	WHEE-735	WHL, LUG NUT 7/16-20		10	

THIS PAGE WAS INTENTIONALLY LEFT BLANK

1.8 | PUMP PARTS

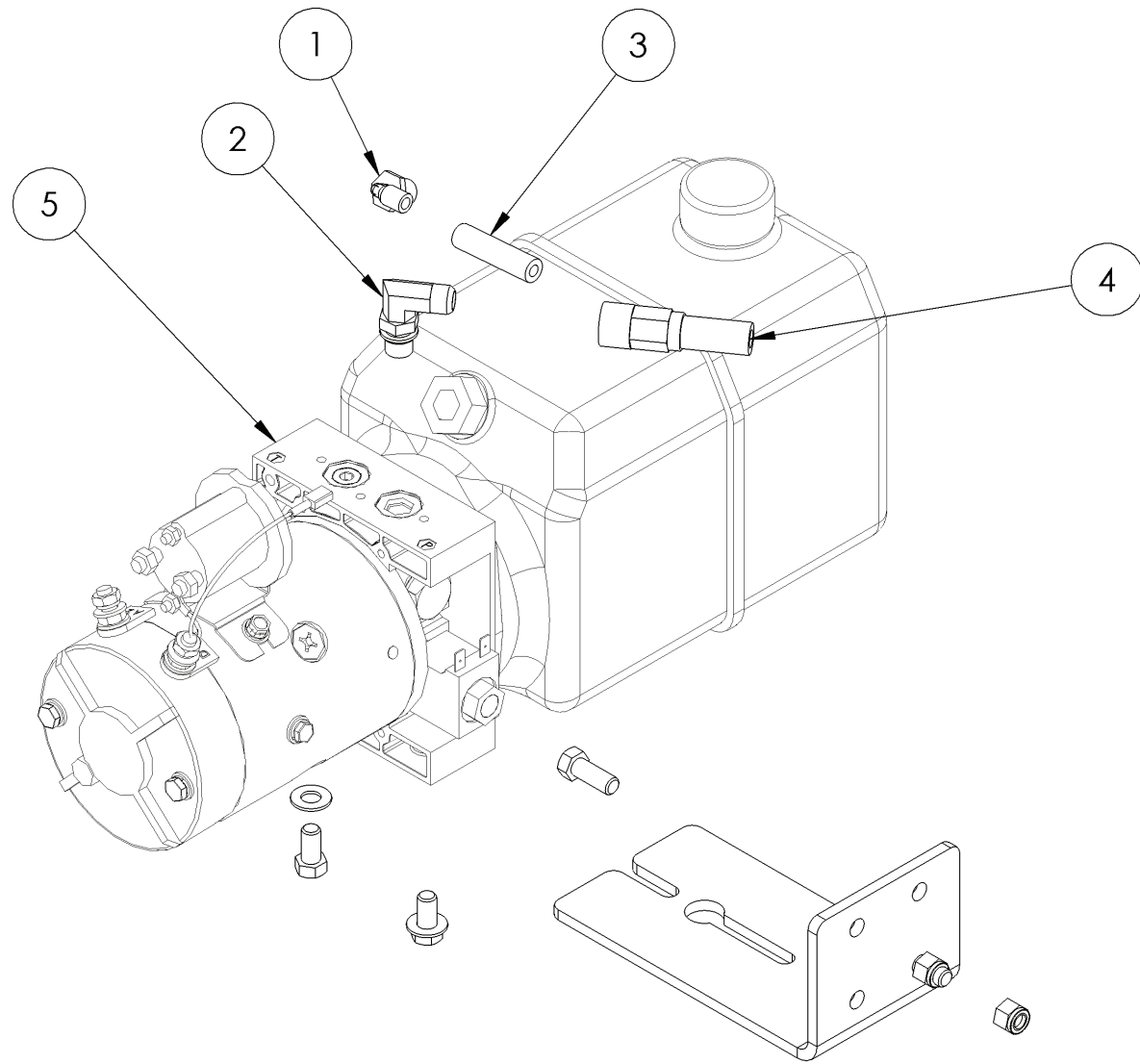


FIGURE 9: PS-1030 Pump Parts

Item #	Part Number	Part Description	Notes	Qty	Superseded By
1	HYDR-019	FITTING,ELB,NPTM 3/8-1/4 PUSH		1	
2	HYDR-035	FITTING, ELB,JICM9/16-SAEORM #6		1	
3	HYDR-022-3	LOW PRESSUR HOSE		1	
4	HYDR-600	HOSE ASM, HB-2X		1	
5	HYDR-050-11E	PUMP,24VDC,0.132,1.0,3.5	ENTIRE PUMP	1	

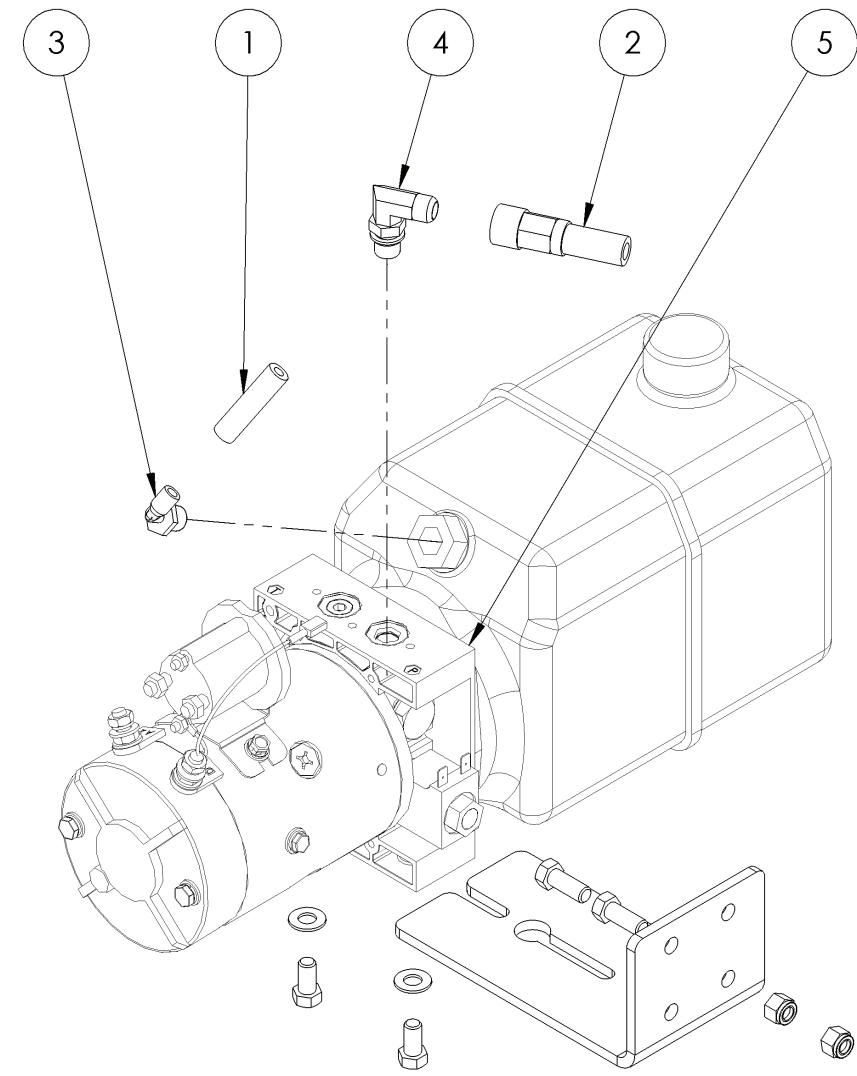
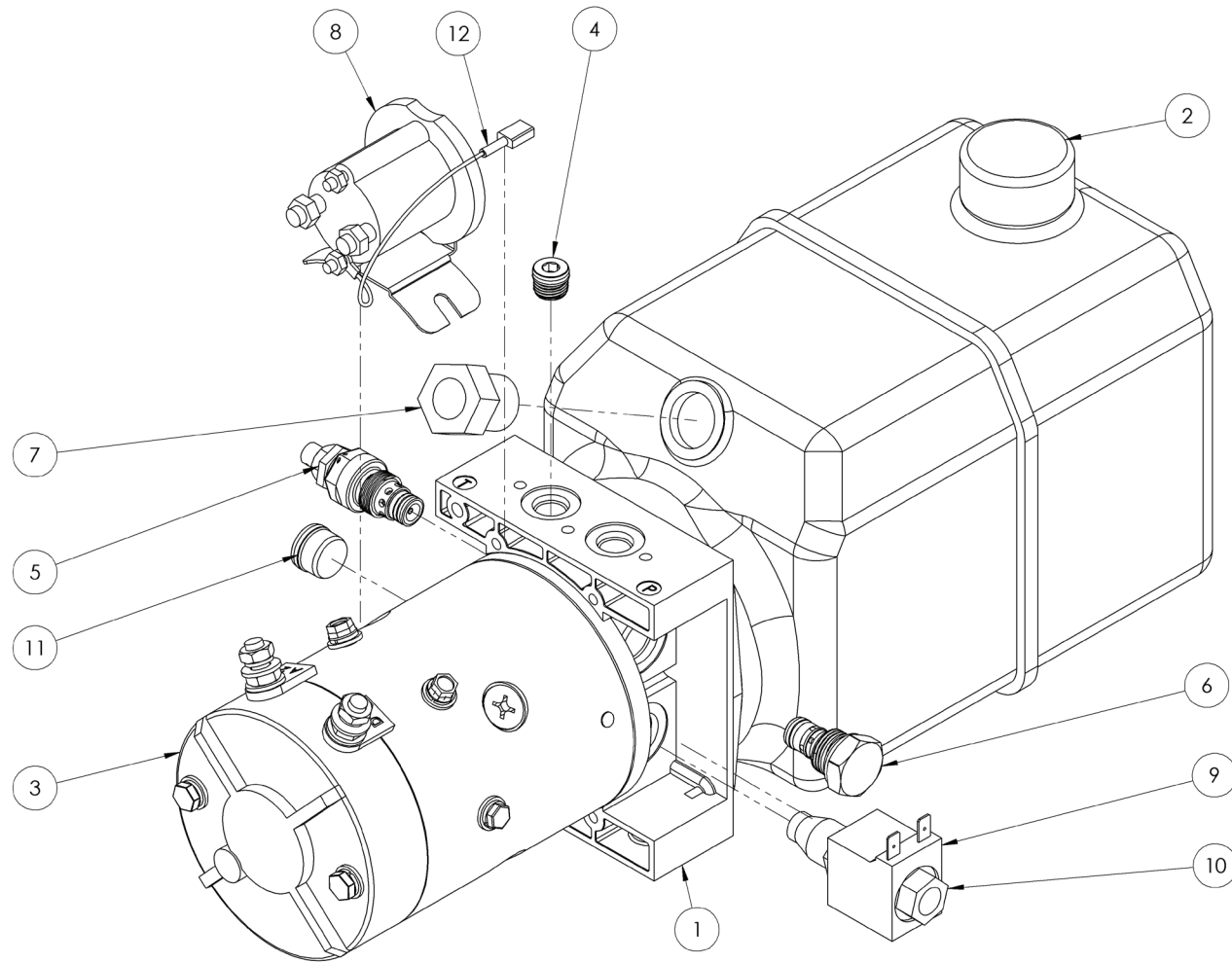


FIGURE 10: PS-1430, PS-1930 Pump Parts

Item #	Part Number	Part Description	Notes	Qty	Superseded By
1	HYDR-022-3	LOW PRESSURE HOSE		1	
2	HYDR-600-17	HOSE ASM,PS S5		1	
3	HYDR-019	FITTING,ELB,NPTM 3/8-1/4 PUSH		1	
4	HYDR-035	FITTING,ELB,JICM9/16-SAEORM#6		1	
5	HYDR-050-11E	PUMP,24VDC,0.132,1.0,3.5	ENTIRE PUMP	1	

1.9 | PUMP SUBPARTS



Item #	Part Number	Part Description	Notes	Qty	Superseded By
1	HYDR-101	MANIFOLD,KTI UNIVERSAL		1	
2	HYDR-103	PUMP RESERVOIR,1.0 GAL		1	
3	HYDR-105	PUMP MOTOR,24V,0.132 CIR		1	
4	HYDR-670	PLUG,SAEORM #6,HEX SOCKET 1/4		1	
5	HYDR-107	PRESSURE RELIEF, ADJ,3000 PST		1	
6	HYDR-108	#8 POPPET CHECK VALVE 0.3 BAR		1	
7	HYDR-690	FITTING,STR,3/4 NPTM X 3/8 NPTF		1	
8	HYDR-692	SOLENOID,24V,100 AMP	START SOLENOID	1	
9	HYDR-664	COIL, 18V		1	
10	HYDR-665	VALVE,NO,2W/2P,#8,UP	DOWN VALVE	1	
11	HYDR-113	PLUG,SAEORM #8,HEX SOCKET 5/16		1	
12	ELEC-173	TERM,PUSH-ON F.25,16-14 GA,INS		1	

FIGURE 11: Pump Subparts

1.10 | MISCELLANEOUS

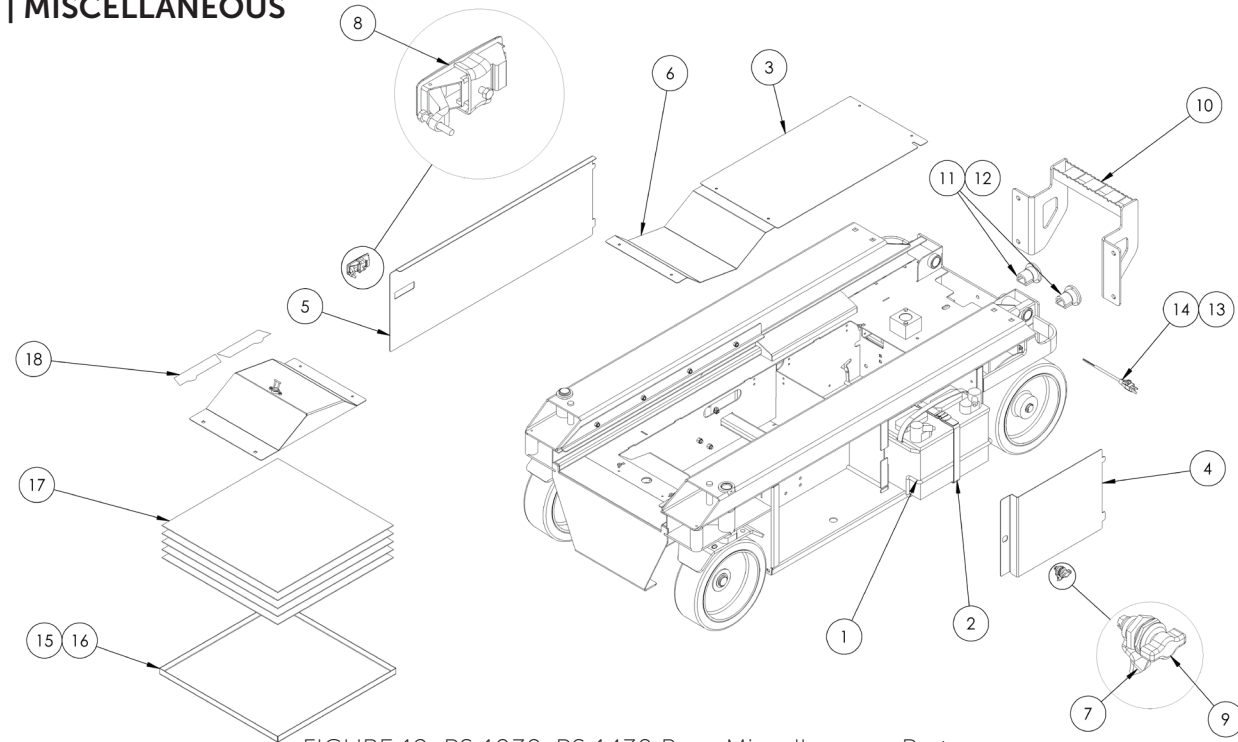


FIGURE 12: PS-1030, PS-1430 Base Miscellaneous Parts

Item #	Part Number	Part Description	Notes	Qty	Superseded By
1	10201235-02	BASE,BATT TRAY		2	
2	HARD-054	BATTERY STRAP/BUCKLE		2	
3	112-05-502-01	COVER,BASE CENTER		1	
4	112-05-503-01	COVER,BATT CONTROL SIDE		1	
5	112-05-504-01	COVER,PUMP SIDE		1	
6	112-05-505-01	COVER,BASE FRONT		1	
7	HARD-633D	0.23 CAM, CABINET LATCH		1	
8	HARD-761	PUSH BUTTON CAM LATCH		1	
9	HARD-633B	CABINET LATCH HANDLE		1	
10	112-01-552-01	BASE,STEP PERF, SINGLE		1	
11	ELEC-831	PLUG, POWER PORT	PS10-50001-50068, PS14-50001-50248, PS14-50349-50351, PS14-50364-50366	2	
12	ELEC-342	PWR PORT, GCP1	PS10-50069- PS14-50249-50348, PS14-50367-	2	
13	ELEC-639-5	CORD,IEC AC/IEC C13RT ANG,24		1	
14	ELEC-639-35	CORD,AC/NEMA 5-15P to ROJ,30FT		1	
15	112-21-540-51	ASM,LEAKGUARD		1	
16	112-01-523-05	BASE,PUMP DRAWER BASE		1	
17	HYDR-305-KIT	PAD, ABSORBENT,5PC REFILL KIT		1	
18	DE1283	DECAL, LEAKGUARD		2	

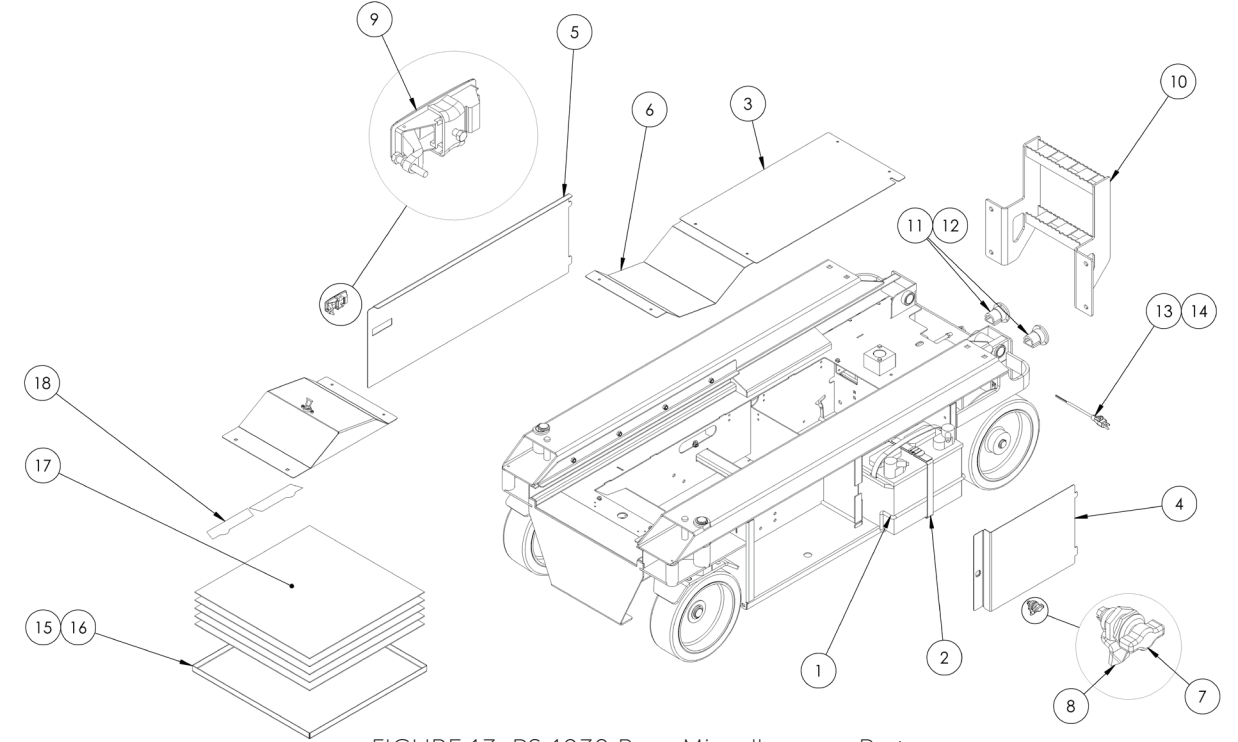


FIGURE 13: PS-1930 Base Miscellaneous Parts

Item #	Part Number	Part Description	Notes	Qty	Superseded By
1	10201235-02	BASE,BATT TRAY		2	
2	HARD-054	BATTERY STRAP/BUCKLE		2	
3	112-05-502-01	COVER,BASE CENTER		1	
4	112-05-503-01	COVER,BATT CONTROL SIDE		1	
5	112-05-504-01	COVER,PUMP SIDE		1	
6	112-05-505-01	COVER,BASE FRONT		1	
7	HARD-633B	CABINET LATCH HANDLE		1	
8	HARD-633D	0.23 CAM, CABINET LATCH		1	
9	HARD-761	PUSH BUTTON CAM LATCH		1	
10	112-01-555-01	BASE,STEP PERF, DOUBLE		1	
11	ELEC-831	PLUG, POWER PORT	PS19-50001-50411, PS19-50507, PS19-50513-50515, PS19-50531	2	
12	ELEC-342	PLUG, POWER PORT	PS19-50412-50506, PS19-50508-50512, PS19-50516-50529, PS19-50531-	2	
13	ELEC-639-35	CORD,AC/NEMA 5-15P to ROJ,30FT		1	
14	ELEC-639-5	CORD,IEC AC/IEC C13 RT ANG,24		1	
15	112-21-540-51	ASM,LEAKGUARD		1	
16	112-01-523-05	BASE,PUMP DRAWER BASE		1	
17	HYDR-305-KIT	PAD, ABSORBENT, 5PC REFILL KIT		1	
18	DE1283	DECAL, LEAKGUARD		2	

2.1 | CONTROL PARTS

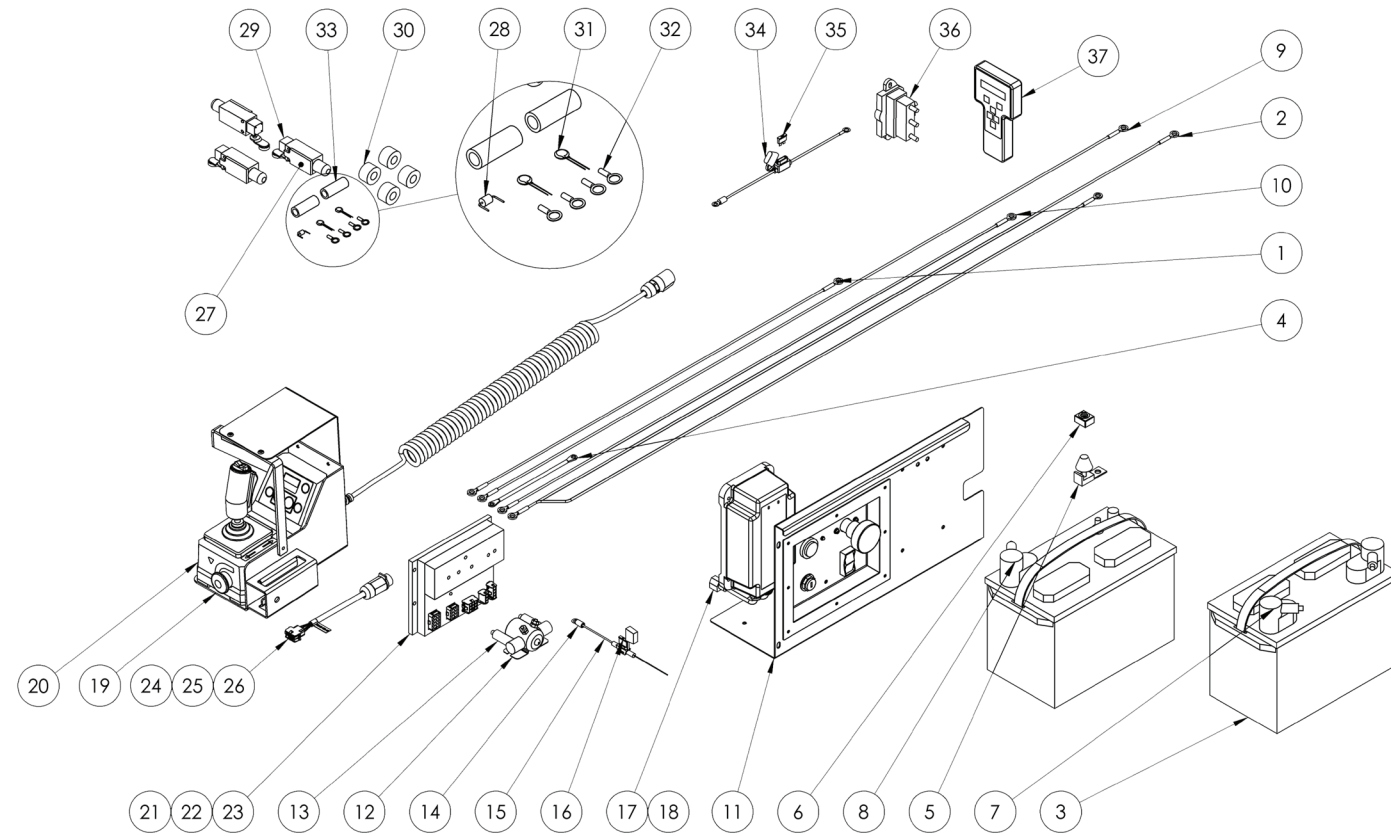
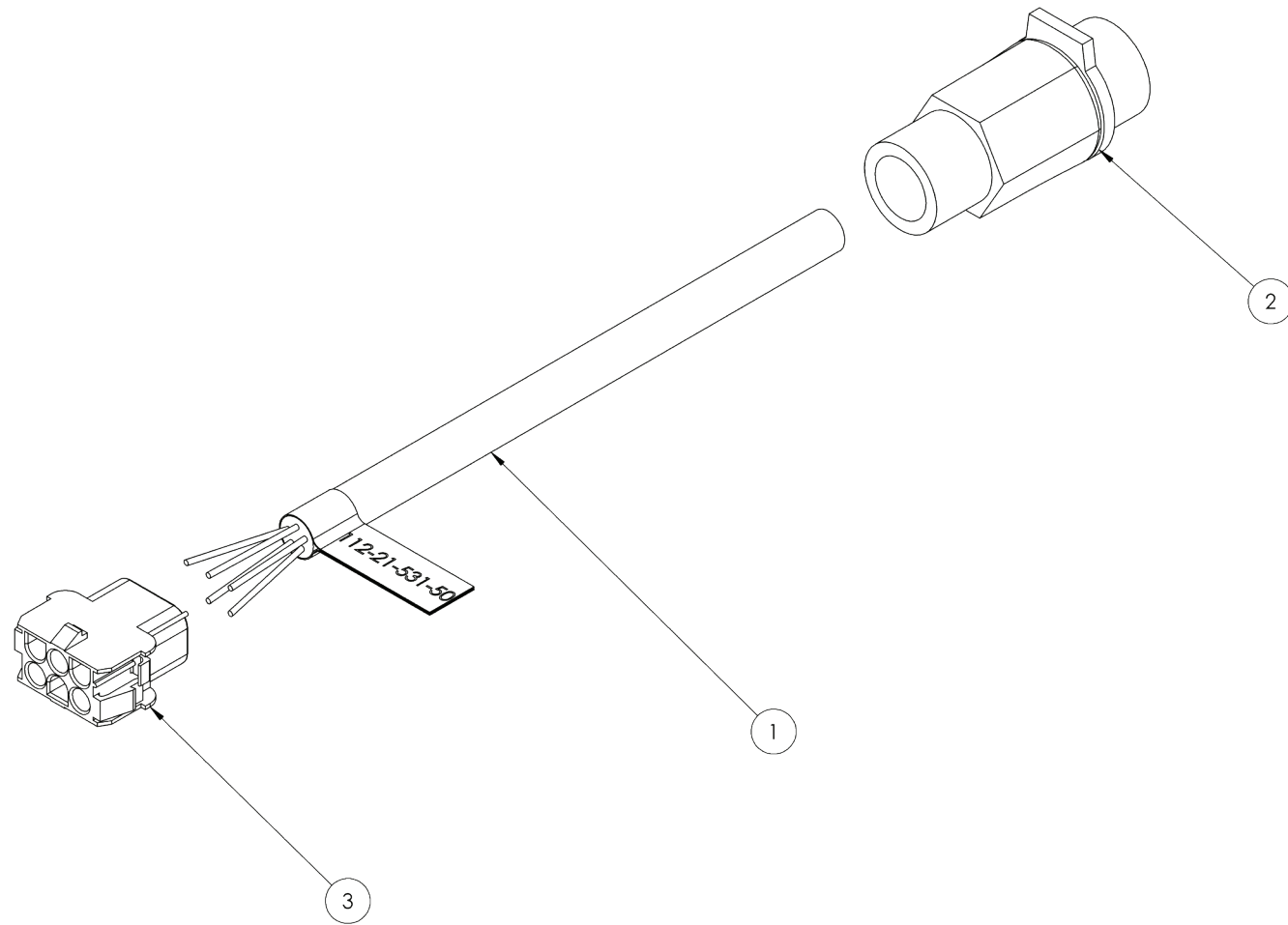


FIGURE 14: Controls/Electrical Parts

Item #	Part Number	Part Description	Notes	Qty	Superseded By
1	1002101650	CABLE,6GA,BLACK,36,B/B		1	
2	112-01-320-50	CBL,6GA,RED,46&54,R/R,.38 EYES		1	
3	ELEC-047-4	GR 27 EV HD 12V BATTERY	NOT SOLD FOR REPLACEMENT. REPLACE WITH GROUP 27, 12-VOLT DEEP CYCLE OR AGM BATTERY WEIGHING AT LEAST 45 LB	2	
4	ELEC-117-DC-1	CABLE,06GA,RED,8,R/R		1	
5	ELEC-319	FUSE BLOCK, TERMINAL MOUNT		1	
6	ELEC-320	TERMINAL FUSE, 300A		1	
7	ELEC-634A	TERMINAL COVER (RED)		1	
8	ELEC-634B	TERMINAL COVER (BLACK)		2	

9	ELEC-641A	CABLE,6GA,BLACK,63,B/B	1
10	ELEC-641C	CABLE,6GA,RED,50,B/R	1
11	112-21-505-50	ASM,CTL LWR,S5	1
12	HYDR-666	SOLENOID,24V,ISOLATED,SPST	1
13	ELEC-634C	TERMINAL COVER (RED)	2
14	ELEC-175	TERM,RING 1/4, 12-10 GA	1
15	ELEC-956	FUSE HOLDER,INLINE,SPLASHPROOF	1
16	ELEC-959	FUSE, 20A ATC	1
17	ELEC-795	CHARGER,24V 12A PRO	1
18	ELEC-795-1-KIT	CHARGER,24V 12A PCS	1
19	112-21-506-50-K	ASM,CTL UPPR, PRO SERIES, S5	1
20	ELEC-980	PG TRI CANBUS UPPER CTL	1
21	112-21-526-50-K	BOARD, DRIVE/LIFT CTL PS10 S5	1
22	112-21-526-53-K	BOARD, DRIVE/LIFT CTL PS14 S5	1
23	112-21-526-56-K	BOARD, DRIVE/LIFT CTL PS19 S5	1
24	112-21-531-50	ASM, MAIN CABLE CANBUS PS19 S5	1
25	112-21-534-50	ASM, MAIN CABLE CANBUS PS14 S5	1
26	112-21-535-50	ASM, MAIN CABLE CANBUS PS10 S5	1
27	112-21-532-50	ASM,MACHINE HARNESS PS19/14 S5	1
28	ELEC-755	DIODE TVS 5.0KP	1
29	ELEC-123-5	SWITCH,LIMIT,ROT LVR,NO/NC	3
30	ELEC-845	0.61 ID, 1.36 OD,0.835 FERRITE	4
31	ELEC-843	0.01uF, 50V, 20% CAP	2
32	ELEC-675	TERM,RING 3/8,22-18 GA	4
33	ELEC-337	HTSHRNK	2
34	112-21-539-50	ASM,HOLDER W/RING AND FUSE	1
35	ELEC-331	FUSE, 30A BLADE STYLE	1
36	ELEC-317	CONTACTOR,24V REV POLARITY DC	1
37	ELEC-646-5	TOOL,PGT PROGRAMMER, EZ-CAL PRO	1

2.2 | MAIN CABLE SUBPARTS



THIS PAGE WAS INTENTIONALLY LEFT BLANK

FIGURE 15: Main Cable Parts

Item #	Part Number	Part Description	Notes	Qty	Superseded By
1	ELEC-727	WIRE,05C,18 GA		1	
2	ELEC-318	CNNCTR,CNLINKO LP20 M20 5PINS		1	
3	ELEC-763	SOCKET,06C,AMP		1	

2.3 | UPPER CONTROL PARTS

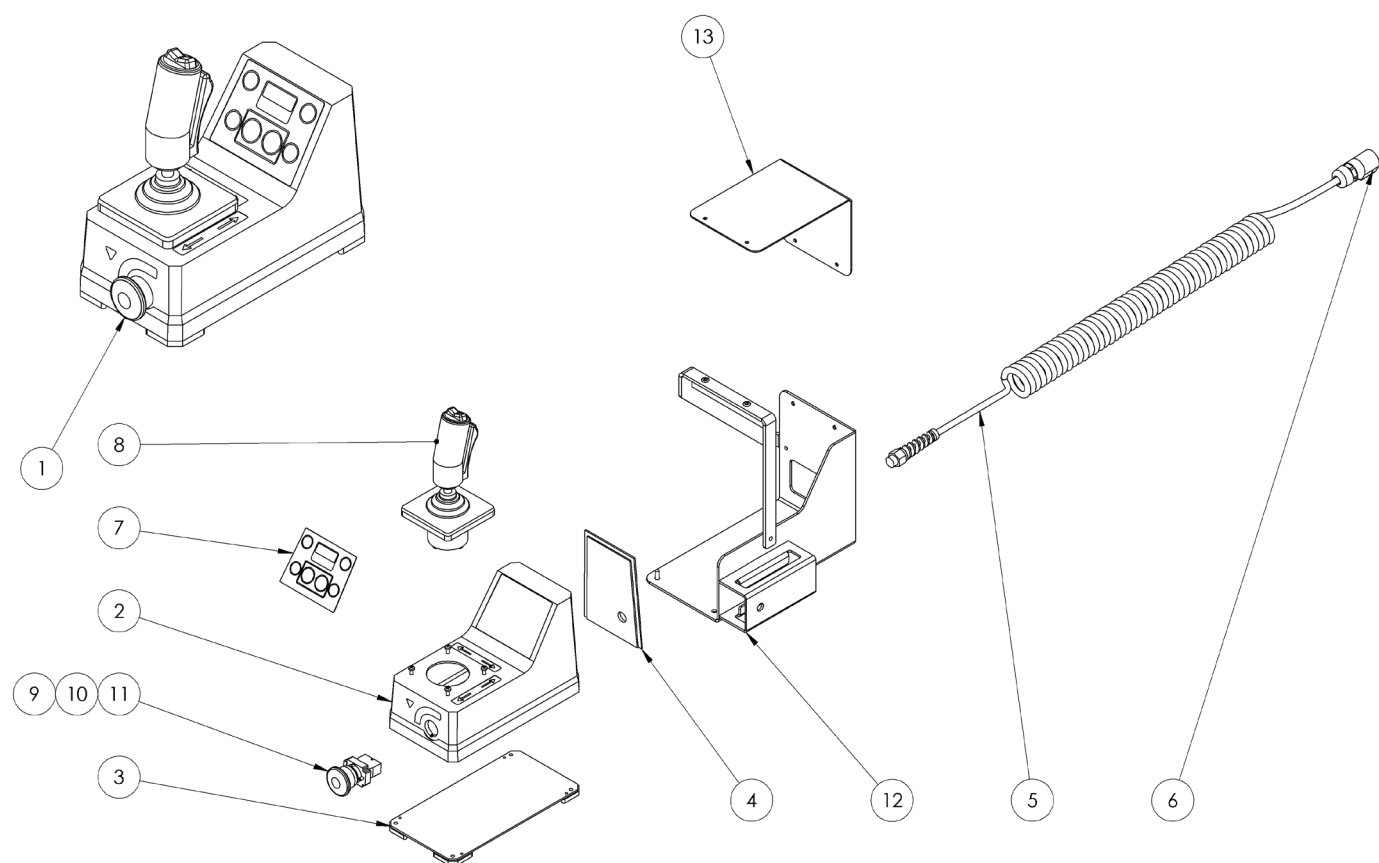


FIGURE 16: Upper Control Parts

Item #	Part Number	Part Description	Notes	Qty	Superseded By
1	ELEC-980	PG TRI CANBUS UPPER CTL		1	
2	ELEC-980A	PG TRI CAN CTL, MAIN		1	
3	ELEC-980B	PG TRI,CANBUS COVER		1	
4	ELEC-980H	PG TRI, CTL BOX FRONT		1	
5	ELEC-980F	PG TRI, UPR CTL,BCK COILED CORD		1	
6	ELEC-318-2	PG TRI,UPR CTL, CONNECTOR		1	
7	ELEC-980E	PG TRI,UPR DECAL SHEET		1	
8	ELEC-980D	PG TRI,UPR CTL,JOYSTICK		1	
9	ELEC-071-KIT	SWITCH,PUSH/PULL RED E-STOP		1	
10	ELEC-872	CONTACT BLOCK,NC W/BASE		1	
11	ELEC-071	EMERGENCY STOP BUTTON		1	
12	112-03-510-01	RAILS, CANBUS MOUNT W/LDMNT		1	
13	112-03-512-01	RAILS, CANBUS ADDITIONAL GUARD		1	

2.4 | LOWER CONTROL PARTS

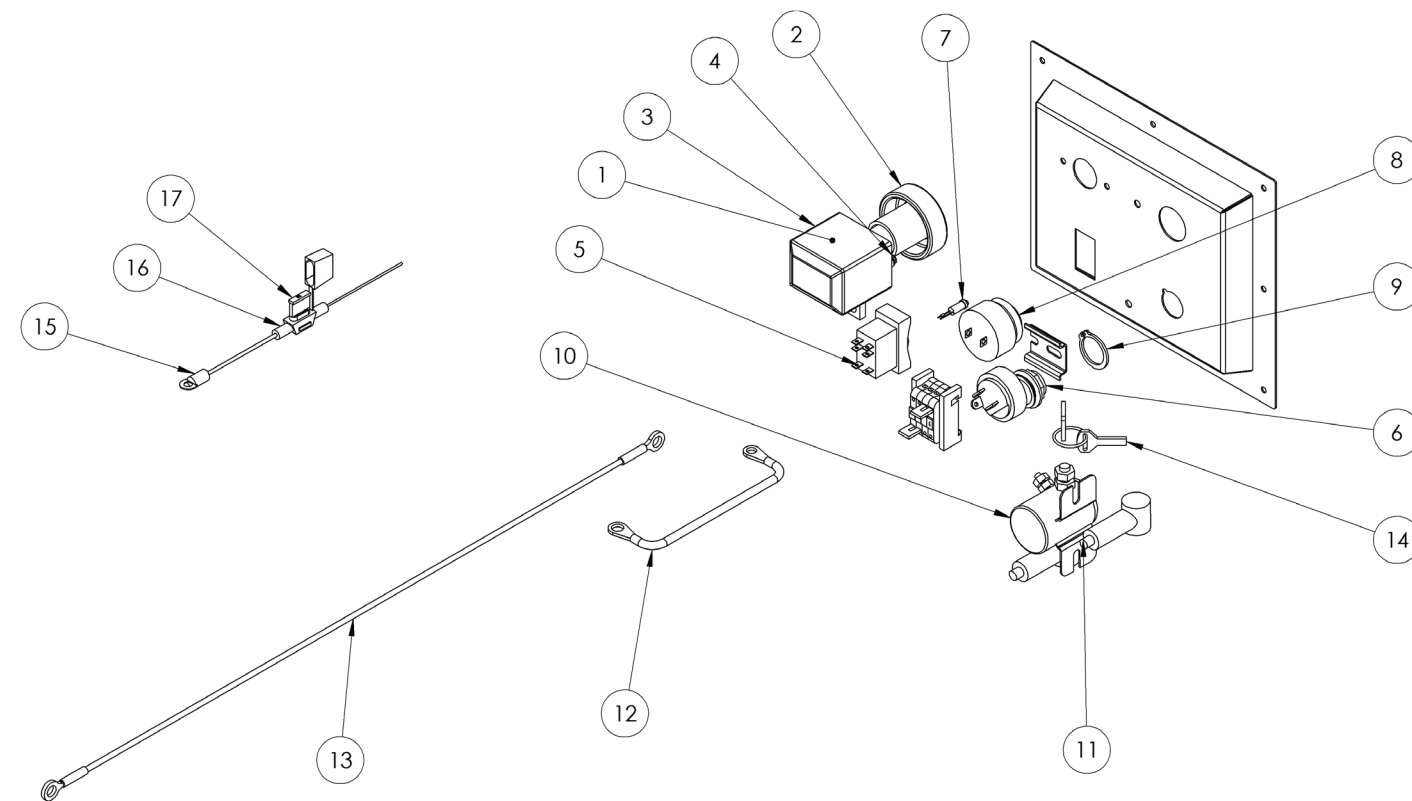


FIGURE 17: Lower Control Parts

Item #	Part Number	Part Description	Notes	Qty	Superseded By
1	ELEC-308	E-STOP ASM		1	
2	ELEC-308A	E-STOP BUTTON		1	
3	ELEC-308B	E-STOP BLOCK		1	
4	ELEC-308C	10-32 X 0.5" ZINC W/WASHERS		2	
5	ELEC-133B	SWITCH,ROCKER DPDT		1	
6	ELEC-310	KEY SWITCH, MOMENTARY		1	
7	ELEC-636	LED,RED		1	
8	ELEC-635-4	ALARM,CONTINUOUS		1	
9	HARD-021	RET RING 1.0		1	
10	HYDR-666	SOLENOID,24V,ISOLATED,SPST		1	
11	ELEC-634C	TERMINAL COVER (RED)		2	
12	ELEC-117-DC-1	CABLE,6GA,RED,8,R/R		1	
13	143-01-025-50	CABLE,6GA,RED,26,R/R .38 EYES		1	
14	ELEC-310EKEY	KEY,SPARE		1	
15	ELEC-175	TERM,RING 1/4, 12-10 GA		1	
16	ELEC-956	FUSE HOLDER,INLINE,SPLASHPROOF		1	
17	ELEC-959	FUSE, 20A ATC		1	

3.1 | PS-1030 SCISSOR PARTS

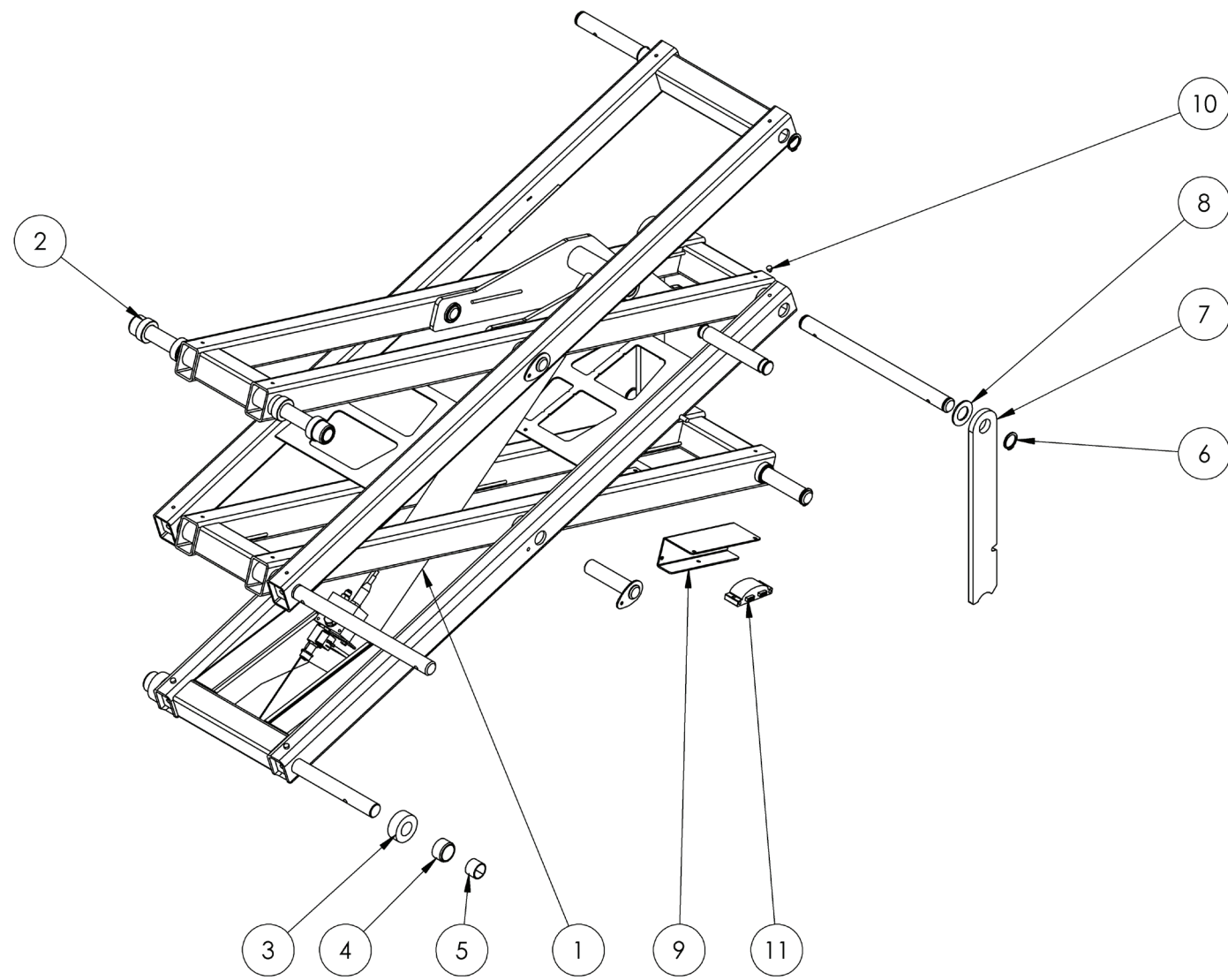


FIGURE 18: PS-1030 Scissor Parts

Item #	Part Number	Part Description	Notes	Qty	Superseded By
1	112-21-525-50-K	ASM, SCISSOR CYL 2X 10 FT		1	
2	1021000102	1.25X2.00X0.69 SHAFT COLLAR		4	
3	112-01-548-03	BASE, ROLLER TENSIONER		2	
4	BM-6006-1	ASM,ROLLER,1.00 W/DU		4	
5	HARD-001	DU BEARING, 1.25 ID, 1 LENGTH		1	
6	HARD-022	1.25 RETAINING RING,EXT		6	
7	112-02-531-25	SCISSOR,MAINTENANCE LOCK		2	
8	HARD-716	1.25X2.25X0.13 WASH		2	
9	112-02-472-01	SCISSOR, ANG SENSOR MNT		1	
10	HARD-694	.28 PUSH-IN BUMPER		4	
11	ELEC-341	SENSOR,ANGLE DUAL		1	

3.2 | PS-1430 & PS-1930 SCISSOR PARTS

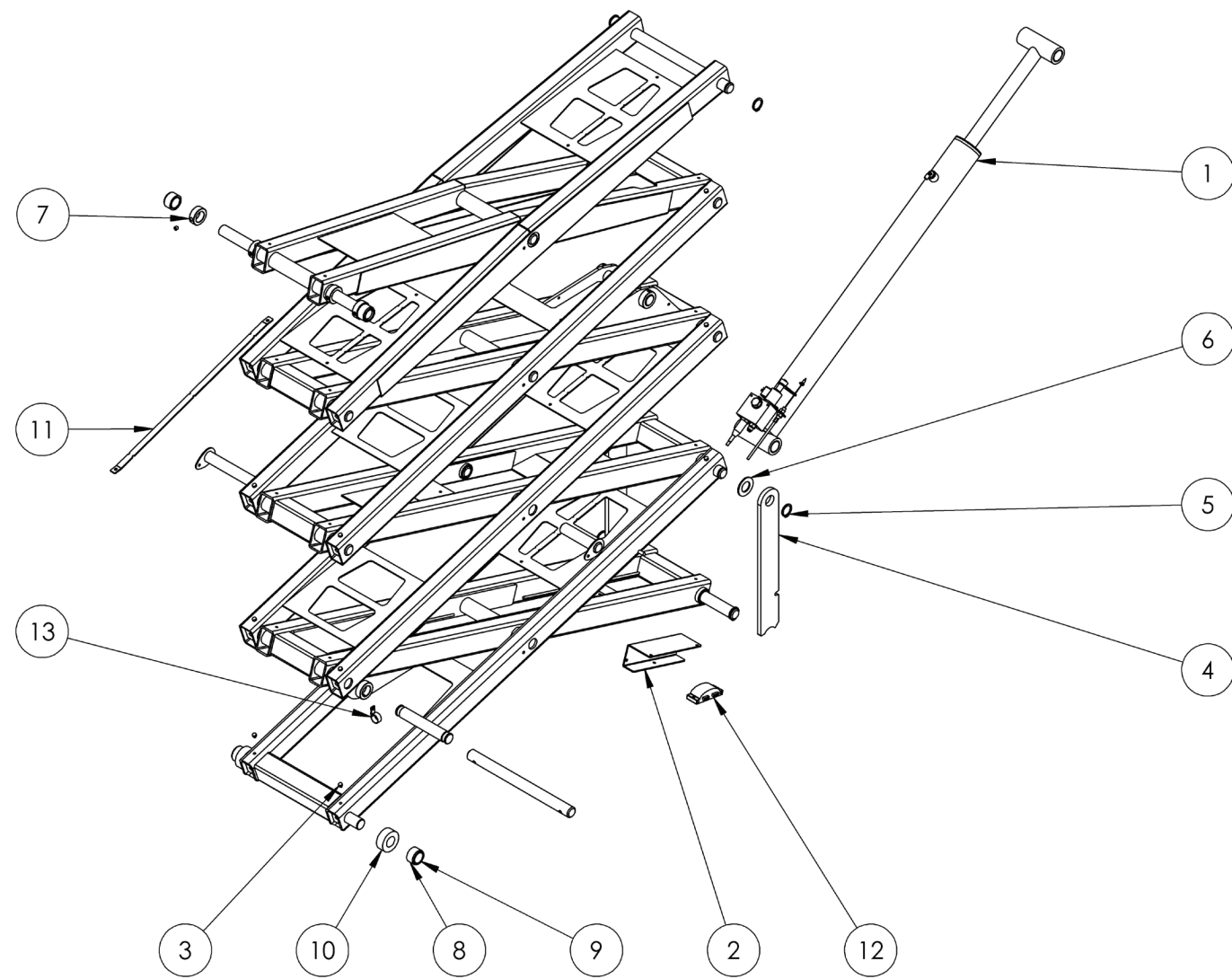


FIGURE 19: PS-1430 & PS-1930 Scissor Parts

Item #	Part Number	Part Description	Notes	Qty	Superseded By
1	112-21-521-56-K	ASM,SCISSOR CYL PS 14/19		1	
2	112-02-472-19	SCISSOR, ANG SENSOR MNT		1	
3	HARD-694	.28 PUSH-IN BUMPER		12	
4	112-02-531-25	SCISSOR, MAINTENANCE LOCK		2	
5	HARD-022	1.25 RETAINING RING,EXT		6	
6	HARD-716	1.25X2.25X0.13 WASH		2	
7	1021000102	1.25X2.00X0.69 SHAFT COLLAR		4	
8	BM-6006-1	ASM,ROLLER,1.00 W/DU		4	
9	HARD-001	DU BEARING, 1.25 ID, 1 LENGTH		1	
10	112-01-548-03	BASE, ROLLER TENSIONER		2	
11	112-02-563-01	SCISSOR,BENTX CONDUIT		1	
12	ELEC-341	SENSOR, ANGLE DUAL		1	
13	HARD-044	1.00 CABLE CLAMP		1	

3.3 | PS-1030 CYLINDER SUBPARTS

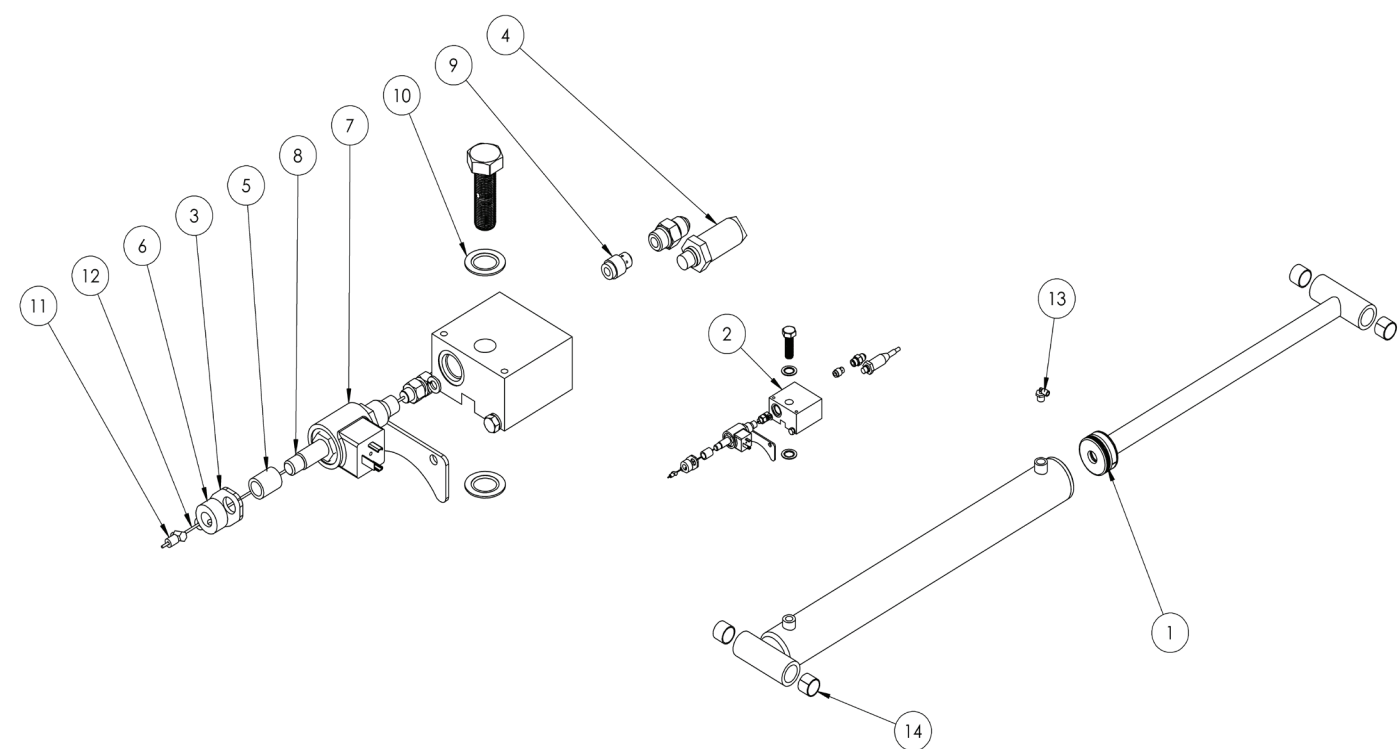


FIGURE 20: PS-1030 Cylinder Subparts

Item #	Part Number	Part Description	Notes	Qty	Superseded By
1	HYDR-007-1-BSK	CYL,SEAL KIT 3.0 B,1.5 R,BES		1	
2	112-21-530-50-K	ASM,MNFLD PS10 S5		1	
3	129-02-573-03	SCISSOR,PATE E-DOWN ACT		1	
4	ELEC-648	SENSOR, PRESSURE		1	
5	HARD-621	038X0.63X075 SLEEVE BEARING		1	
6	HARD-650	0.44X0.88X0.44 SHAFT COLLAR		1	
7	HYDR-007-2E-4	COIL,24V,HC		1	
8	HYDR-007-2E-5	VALVE,NC,2W/2P,#8,DWN,PULL,DEL		1	
9	HYDR-626	FLOW CONTROL INLINE 3.0GPM		1	
10	HYDR-676	WASHER,0.63ID,1.2OD,PRES SEAL		2	
10	HARD-900	SLEEVE,CABLE STOP 0.09		1	
11	HARD-644-17	66/76 LOW FRICTION CABLE		1	
12	HYDR-019	FITTING,ELB,NPTM 3/8-1/4 PUSH		1	
13	HARD-001	DU BEARING, 1.25 ID, 1 LENGTH		4	

3.4 | PS-1430 & PS-1930 CYLINDER SUBPARTS

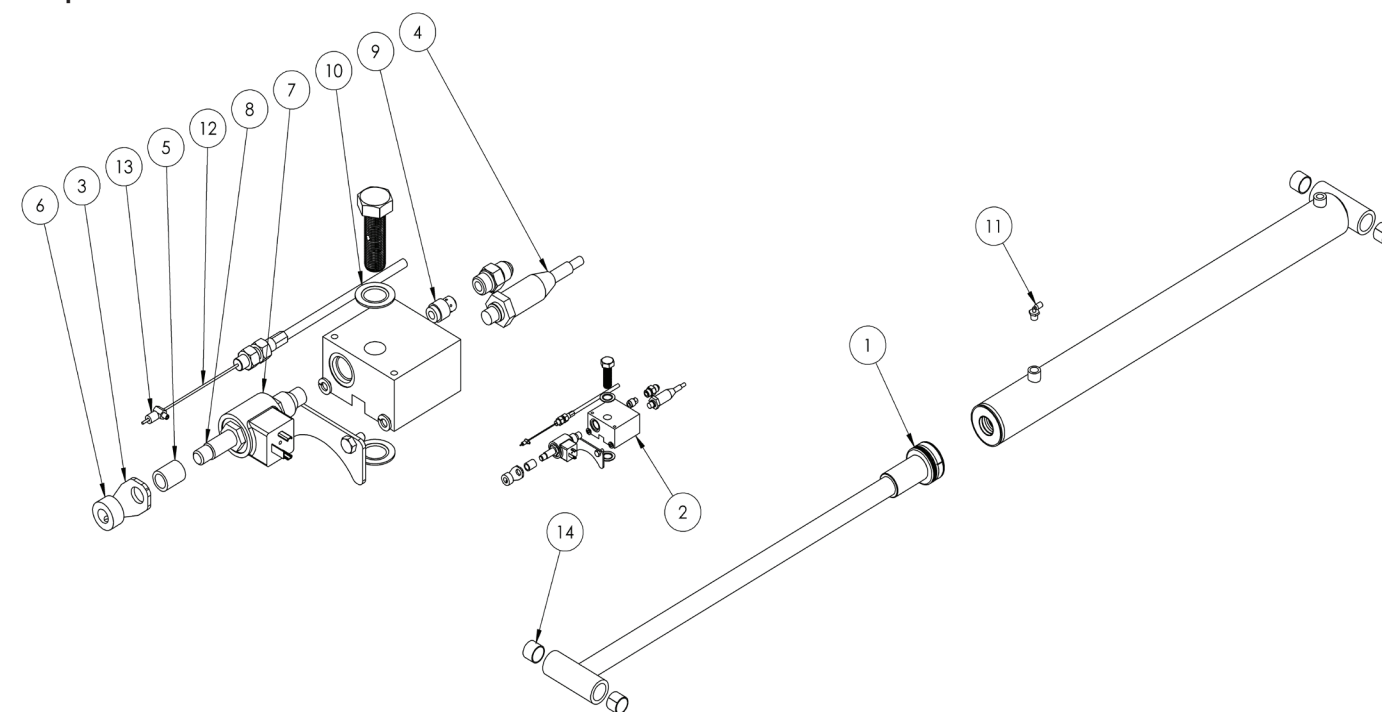


FIGURE 21: PS-1430 & PS-1930 Cylinder Subparts

Item #	Part Number	Part Description	Notes	Qty	Superseded By
1	HYDR-041-SK BES	CYL,SEAL KIT 3.0 B, 1.5 R,BES		1	
2	112-21-530-56-K	ASM,MNFLD PS19/14 S5		1	
3	129-02-573-03	SCISSOR,PATE E-DOWN ACT		1	
4	ELEC-648	SENSOR,PRESSURE		1	
5	HARD-621	038X0.63X075 SLEEVE BEARING		1	
6	HARD-650	0.44X0.88X0.44 SHAFT COLLAR		1	
7	HYDR-007-2E-4	COIL,24V,HC		1	
8	HYDR-007-2E-5	VALVE,NC,2W/2P,#8,DWN,PULL,DEL		1	
9	HYDR-627-1	FLOW CONTROL INLINE 2.0GPM		1	
10	HARD-676	WASHER,0.63ID,1.2OD,PRES SEAL		2	
11	HYDR-019	FITTING,ELB,NPTM 3/8-1/4 PUSH		1	
12	HARD-644-16	79/84 LOW FRICTION CABLE		1	
13	HARD-900	SLEEVE,CABLE STOP 0.09		1	
14	HARD-001	DU BEARING, 1.25 ID, 1 LENGTH		4	

4.1 | PLATFORM & RAILS PARTS

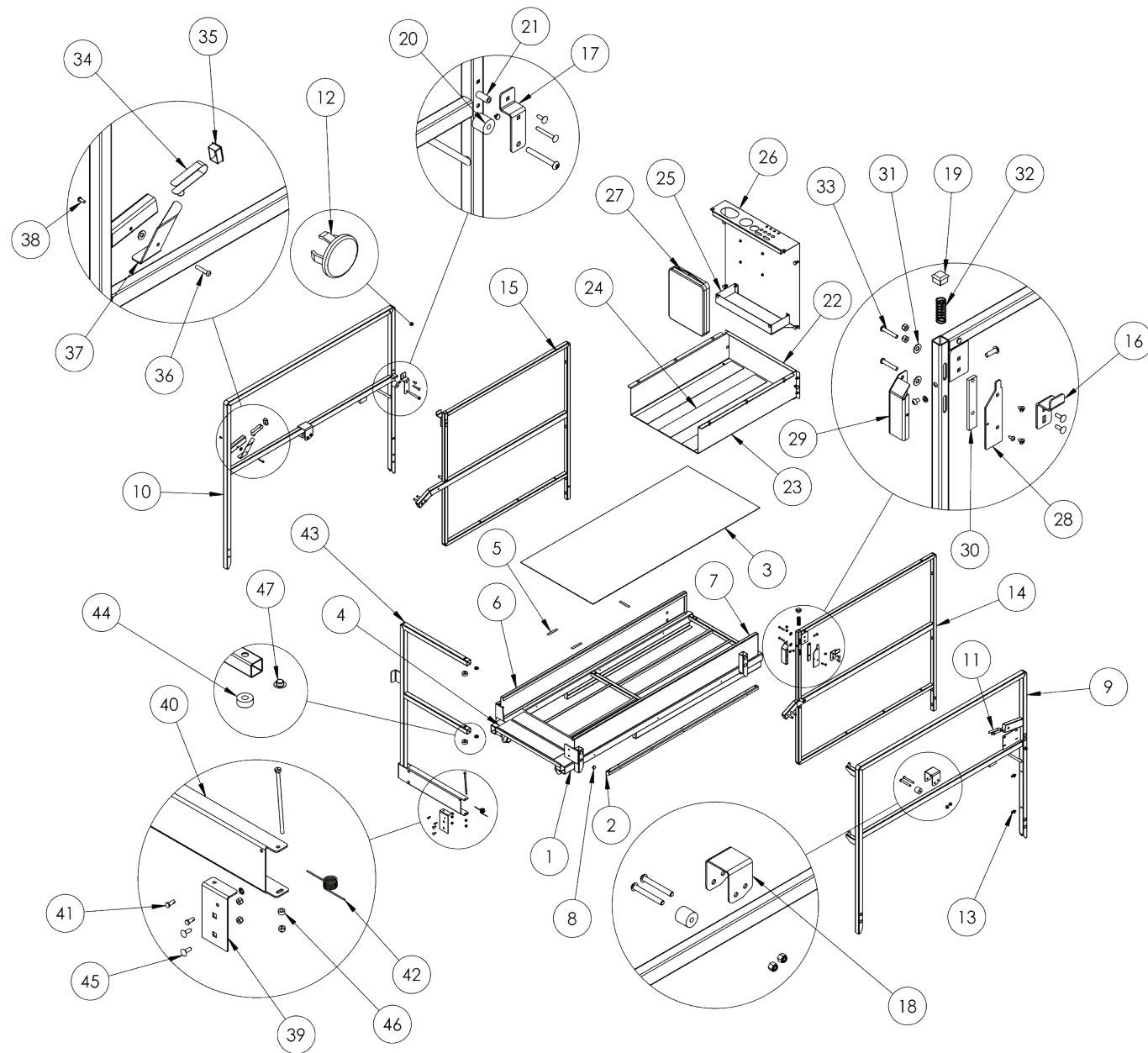


FIGURE 22: Platform & Rail Parts

Item #	Part Number	Part Description	Notes	Qty	Superseded By
1	112-04-501-01	PF,WLDMNT		1	
2	1112-04-521-01	PF,CONDUIT		1	
3	129-03-417-03	PF,DECK		1	
4	MISC-031-10	ANIT-SLIP TAPE,4.00,18.00 LENG		2	
5	MISC-026-06	ADHESIVE,VHB,0.5X3.00		3	
6	112-03-414-06	RAIL,TOE BOARD 6.0,L	STANDARD COLOR	1	
6	112-03-414-20L	RAIL,TOE BOARD 6.0,L	GREEN	1	
7	112-03-414-11	RAIL,TOE BOARD 6.0,R	STANDARD COLOR	1	
7	112-03-414-20R	RAIL,TOE BOARD 6.0,R	GREEN	1	
8	HARD-645	PLUG,11/16 DIA,BLACK		21	
9	129-03-420-01	RAIL,WC R	STANDARD COLOR	1	
9	129-03-420-20	RAIL,WC R	GREEN	1	
10	129-03-421-01	RAIL,WC L	STANDARD COLOR	1	
10	129-03-421-20	RAIL,WC L	GREEN	1	
11	HARD-067	0.38SNAP BUTTON,SINGLE END		1	
12	HARD-757	PLUG,0.31 DIA,BLACK		10	
13	HARD-723	0.26-0.28X6.00 CABLE CLIP,W/TIE		2	
14	129-03-422-01	RAIL,SO R	STANDARD COLOR	1	
14	129-03-422-20	RAIL,SO R	GREEN	1	
15	129-03-423-01	RAIL,SO L	STANDARD COLOR	1	
15	129-03-423-20	RAIL,SO L	GREEN	1	
16	129-03-427-01	RAIL,SO BRKT	STANDARD COLOR	2	
16	129-03-427-20	RAIL,SO BRKT	GREEN	2	
17	129-03-430-01	RAIL,SO BRKT MID	STANDARD COLOR	2	
17	129-03-430-20	RAIL,SO BRKT MID	GREEN	2	
18	129-03-436-01	RAIL,SO CHNL	STANDARD COLOR	2	
18	129-03-436-20	RAIL,SO CHNL	GREEN	2	
19	HARD-092	PLUG,1 SQR,BLACK		2	
20	HARD-837	ROLLER,0.386,1.25 OD,1.15		4	
21	HARD-838	ROLLER,0.25,0.50 OD,1.15		4	
22	129-03-418-01	RAIL,SO TOE BOARD,D	STANDARD COLOR	1	
22	129-03-418-20	RAIL,SO TOE BOARD,D	GREEN	1	
23	129-03-419-01	RAIL,SO FLOOR BOLT-ON	STANDARD COLOR	1	
23	129-03-419-20	RAIL,SO FLOOR BOLT-ON	GREEN	1	
24	MISC-031-01	ANTI-SLIP TAPE,4.00,31.00 LENG		3	
25	112-03-412-20	RAIL,TOOL TRAY CAP	STANDARD COLOR	2	
25	112-03-412-20	RAIL,TOOL TRAY CAP	GREEN	2	

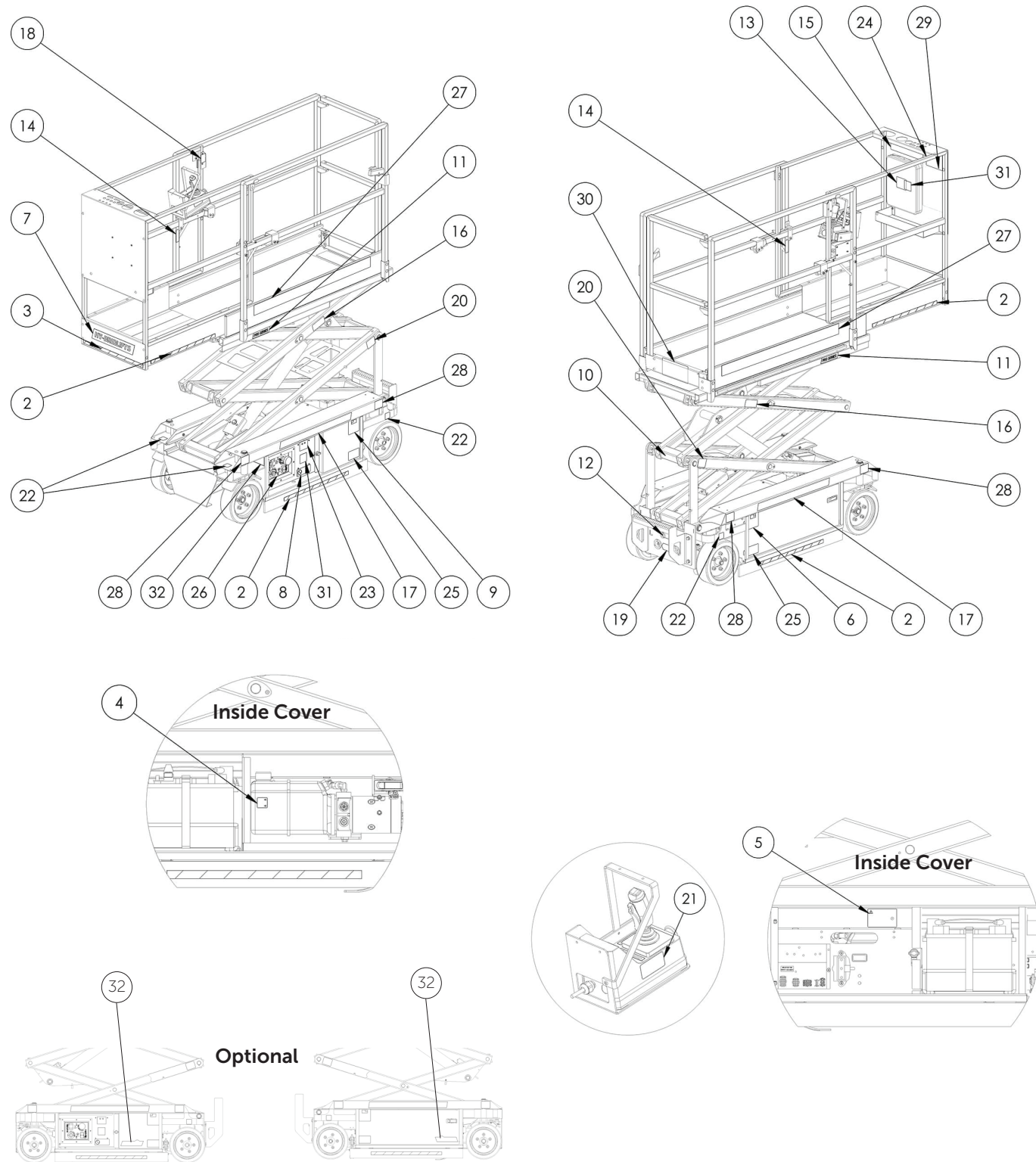
LIST CONTINUED ON THE NEXT PAGE (38)

SECTION 4 **PLATFORM & RAILS**

26	112-03-413-01	RAIL,SO FRONT PANEL/TOOL TRAY	STANDARD COLOR	1
26	112-03-413-20	RAIL,SO FRONT PANEL/TOOL TRAY	GREEN	1
27	HARD-603	MANUAL BOX		1
28	129-03-438-01	RAIL,SO LATCH	STANDARD COLOR	1
28	129-03-438-20	RAIL,SO LATCH	GREEN	1
29	129-03-439-01	RAIL,SO LOCK BRKT	STANDARD COLOR	1
29	129-03-439-20	RAIL,SO LOCK BRKT	GREEN	1
30	129-03-460-03	PF,RAIL SPACER		1
31	HARD-626-2	WASHER,0.3ID,0.7OD,0.06THK,NYL		2
32	HARD-840	SPRING,COMP 2.00 X 0.72		1
33	SPBB-1024	0.25 X 1.50 BIND BARREL,10-24		2
34	HARD-066	0.50 SNAP BUTTON,SINGLE END		1
35	HARD-634	PLUG, 1.00X1.50,BLACK		3
36	HARD-649	0.25 X 1.25 BARREL SCRW,10-24		1
37	LAS-M089-PC/PCG	RAIL,GATE TOEBOARD		1
38	SCREW-1100	10-24 X 0.50 PAN HEAD SCRW		1
39	112-04-412-01	PF,GATE MNT	STANDARD COLOR	1
39	112-04-412-20	PF,GATE MNT	GREEN	1
40	129-03-472-01	RAIL,GATE TOEBOARD	STANDARD COLOR	1
40	129-03-472-20	RAIL,GATE TOEBOARD	GREEN	1
41	HARD-641-23	.25X.44U X .63L CLEVIS PIN		2
42	HARD-822	SPRING,TOR .095 DIA,17 IN-LB		1
43	129-03-471-01	RAIL,GATE WLDMNT	STANDARD COLOR	1
43	129-03-471-20	RAIL,GATE WLDMNT	GREEN	1
44	143-04-007-04	SPACER,.5ID,1.25OD, 0.5 THK		2
45	BOLT-9899	1/4-20 X .75 SN CARR BOLT		2
46	HARD-636-2	0.25X0.50X0.25 SPACER		1
47	HARD-656-1	1/2 PUSH NUT CAP,QUICK		2

THIS PAGE WAS INTENTIONALLY LEFT BLANK

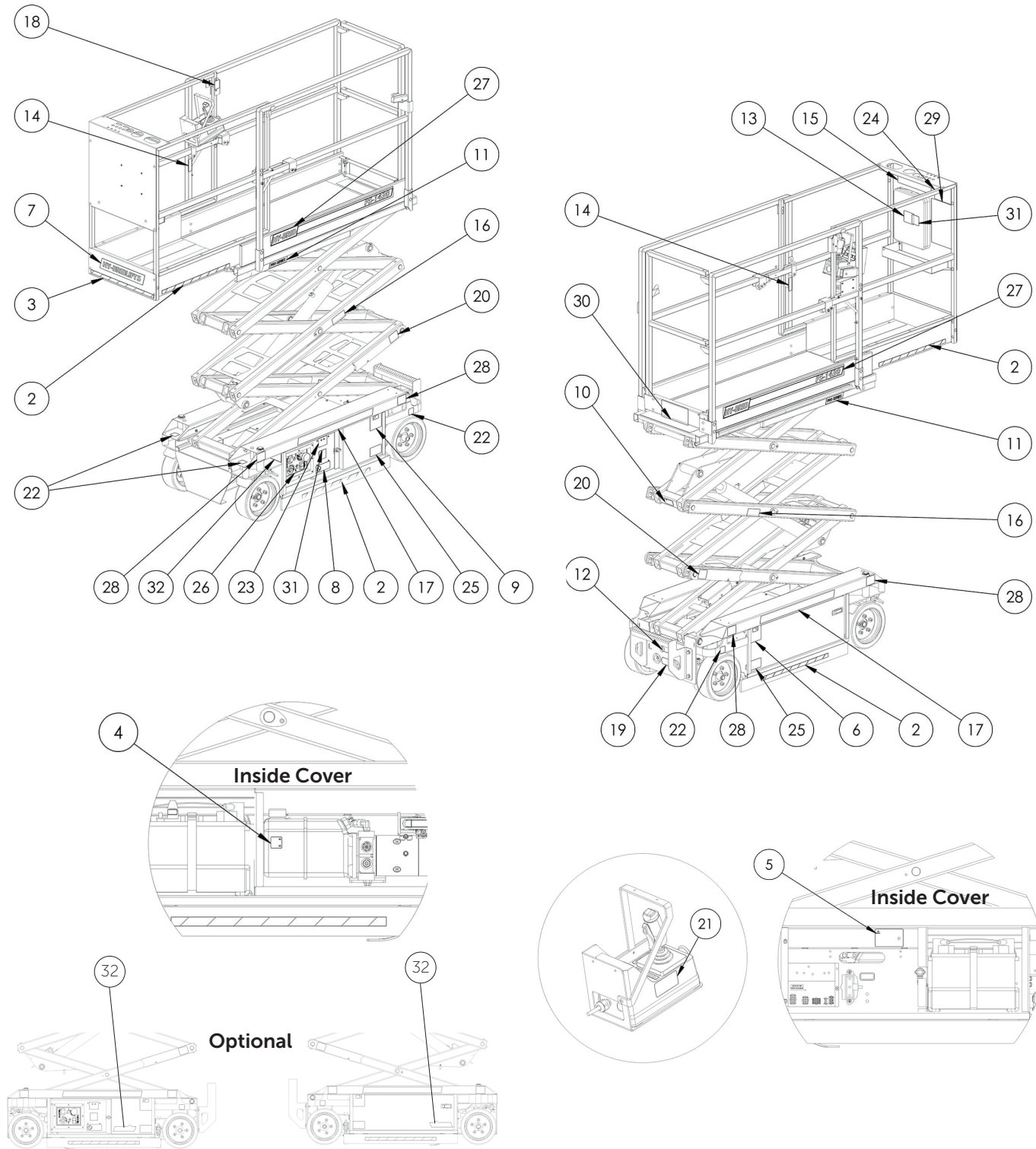
5.1 | PS-1030 DECALS



Item #	Part Number.	Part Description	Notes	Qty	Superseded By
1	112-21-520-50-K	DECALS,PS-1030 S5		1	
2	DE717-61	DECAL,SAFETY STRIPE (24.00)		4	
3	DE717-63	DECAL,SAFETY STRIPE (22.25)		1	
4	DE1008	DECAL,HYDR FLUID		1	
5	DE1022	DECAL,BATT/CHR COMPATABILITY		1	
6	DE1031	DECAL,MADE IN USA MIRROR		1	
7	DE1207	DECAL,HY-BRID LIFTS		1	
8	DE1208	DECAL,BRAKE RELEASE/NO TOW		1	
9	DE1221	DECAL,MADE IN USA		1	
10	DE1230	DECAL,PROP 65		1	
11	DE1236	DECAL,SERIES PS		2	
12	DE1243	DECAL,E-DOWN CABLE		1	
13	DE1246	DECAL,MANUAL BOX		1	
14	DE1248	DECAL,LANYARD ATTACHMENT		2	
15	DE1249	DECAL,ANNUAL INSPECTION		1	
16	DE1250	DECAL,SCISSOR CRUSH HAZARD		2	
17	DE1252	DECAL,WEBSITE		2	
18	DE1259	DECAL,SLIDEOUT		1	
19	DE1265	DECAL,CHARGER CORD/P2P		1	
20	DE1266	DECAL,MAINT LOCK ARM		2	
21	DE1276	DECAL,PS-COMPLIANCE		1	
22	DE1278	DECAL,TIEDOWN		4	
23	DE1279	DECAL,BATTERY CHARGER		1	
24	DE1281	DECAL, PS FLOOR LOAD CHART		1	
25	DE1282	DECAL,PH CRUSH HAZARD		2	
26	DE1032	DECAL,BASE LWR CTL PS		1	
27	DE1213	DECAL,MODEL PS-1030		2	
28	DE1264	DECAL,PS-1030 WHEEL LOAD		4	
29	DE1267	DECAL,PS-1030 FRONT PANEL		1	
30	DE1268	DECAL,PS-1030 CAPACITIES		1	
31	DE1316	DECAL,QR PS SERIES 5		2	
32	DE7035	DECAL,SERIAL NO PS-1030		1	

FIGURE 23: PS-1030 Decals

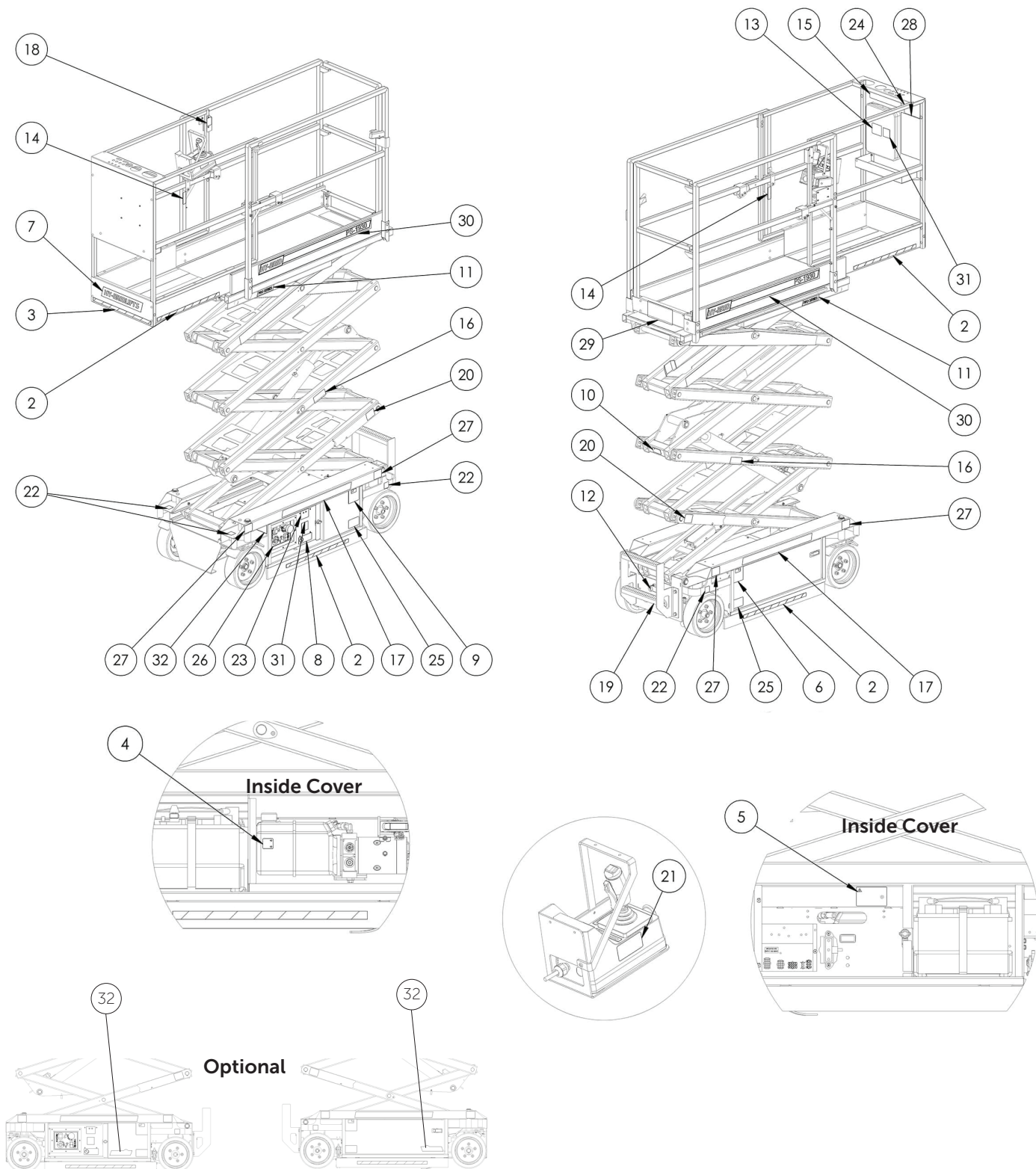
5.2 | PS-1430 DECALS



Item #	Part Number	Part Description	Notes	Qty	Superseded By
1	112-21-520-53-K	DECALS,PS-1430 S5		1	
2	DE717-61	DECAL,SAFETY STRIPE (24.00)		4	
3	DE717-63	DECAL,SAFETY STRIPE (22.25)		1	
4	DE1008	DECAL,HYDR FLUID		1	
5	DE1022	DECAL,BATT/CHR COMPATABILITY		1	
6	DE1031	DECAL,MADE IN USA MIRROR		1	
7	DE1207	DECAL,HY-BRID LIFTS		1	
8	DE1208	DECAL,BRAKE RELEASE/NO TOW		1	
9	DE1221	DECAL,MADE IN USA		1	
10	DE1230	DECAL,PROP 65		1	
11	DE1236	DECAL,SERIES PS		2	
12	DE1243	DECAL,E-DOWN CABLE		1	
13	DE1246	DECAL,MANUAL BOX		1	
14	DE1248	DECAL,LANYARD ATTACHMENT		2	
15	DE1249	DECAL,ANNUAL INSPECTION		1	
16	DE1250	DECAL,SCISSOR CRUSH HAZARD		2	
17	DE1252	DECAL,WEBSITE		2	
18	DE1259	DECAL,SLIDEOUT		1	
19	DE1265	DECAL,CHARGER CORD/P2P		1	
20	DE1266	DECAL,MAINT LOCK ARM		2	
21	DE1276	DECAL,PS-COMPLIANCE		1	
22	DE1278	DECAL,TIEDOWN		4	
23	DE1279	DECAL,BATTERY CHARGER		1	
24	DE1281	DECAL, PS FLOOR LOAD CHART		1	
25	DE1282	DECAL,PH CRUSH HAZARD		2	
26	DE1032	DECAL,BASE LWR CTL PS		1	
27	DE1214	DECAL,MODEL PS-1430		2	
28	DE1270	DECAL,PS-1430 WHEEL LOAD		4	
29	DE1271	DECAL,PS-1430 FRONT PANEL		1	
30	DE1272	DECAL,PS-1430 CAPACITIES		1	
31	DE1316	DECAL,QR PS SERIES 5		2	
32	DE7034	DECAL,SERIAL NO PS-1430		1	

FIGURE 24: PS-1430 Decals

5.3 | PS-1930 DECALS



Item #	Part Number	Part Description	Notes	Qty	Superseded By
1	112-21-520-56-K	DECALS,PS-1930 S5		1	
2	DE717-61	DECAL,SAFETY STRIPE (24.00)		4	
3	DE717-63	DECAL,SAFETY STRIPE (22.25)		1	
4	DE1008	DECAL,HYDR FLUID		1	
5	DE1022	DECAL,BATT/CHR COMPATABILITY		1	
6	DE1031	DECAL,MADE IN USA MIRROR		1	
7	DE1207	DECAL,HY-BRID LIFTS		1	
8	DE1208	DECAL,BRAKE RELEASE/NO TOW		1	
9	DE1221	DECAL,MADE IN USA		1	
10	DE1230	DECAL,PROP 65		1	
11	DE1236	DECAL,SERIES PS		2	
12	DE1243	DECAL,E-DOWN CABLE		1	
13	DE1246	DECAL,MANUAL BOX		1	
14	DE1248	DECAL,LANYARD ATTACHMENT		2	
15	DE1249	DECAL,ANNUAL INSPECTION		1	
16	DE1250	DECAL,SCISSOR CRUSH HAZARD		2	
17	DE1252	DECAL,WEBSITE		2	
18	DE1259	DECAL,SLIDEOUT		1	
19	DE1265	DECAL,CHARGER CORD/P2P		1	
20	DE1266	DECAL,MAINT LOCK ARM		2	
21	DE1276	DECAL,PS-COMPLIANCE		1	
22	DE1278	DECAL,TIEDOWN		4	
23	DE1279	DECAL,BATTERY CHARGER		1	
24	DE1281	DECAL, PS FLOOR LOAD CHART		1	
25	DE1282	DECAL,PH CRUSH HAZARD		2	
26	DE1032	DECAL,BASE LWR CTL PS		1	
27	DE1273	DECAL,PS-1930 WHEEL LOAD		4	
28	DE1274	DECAL,PS-1930 FRONT PANEL		1	
29	DE1275	DECAL,PS-1930 CAPACITIES		1	
30	DE1277	DECAL,MODEL PS-1930		2	
31	DE1316	DECAL,QR PS SERIES 5		2	
32	DE7033	DECAL,SERIAL NO PS-1930		1	

FIGURE 25: PS-1930 Decals

6.1 | **OPTIONS**

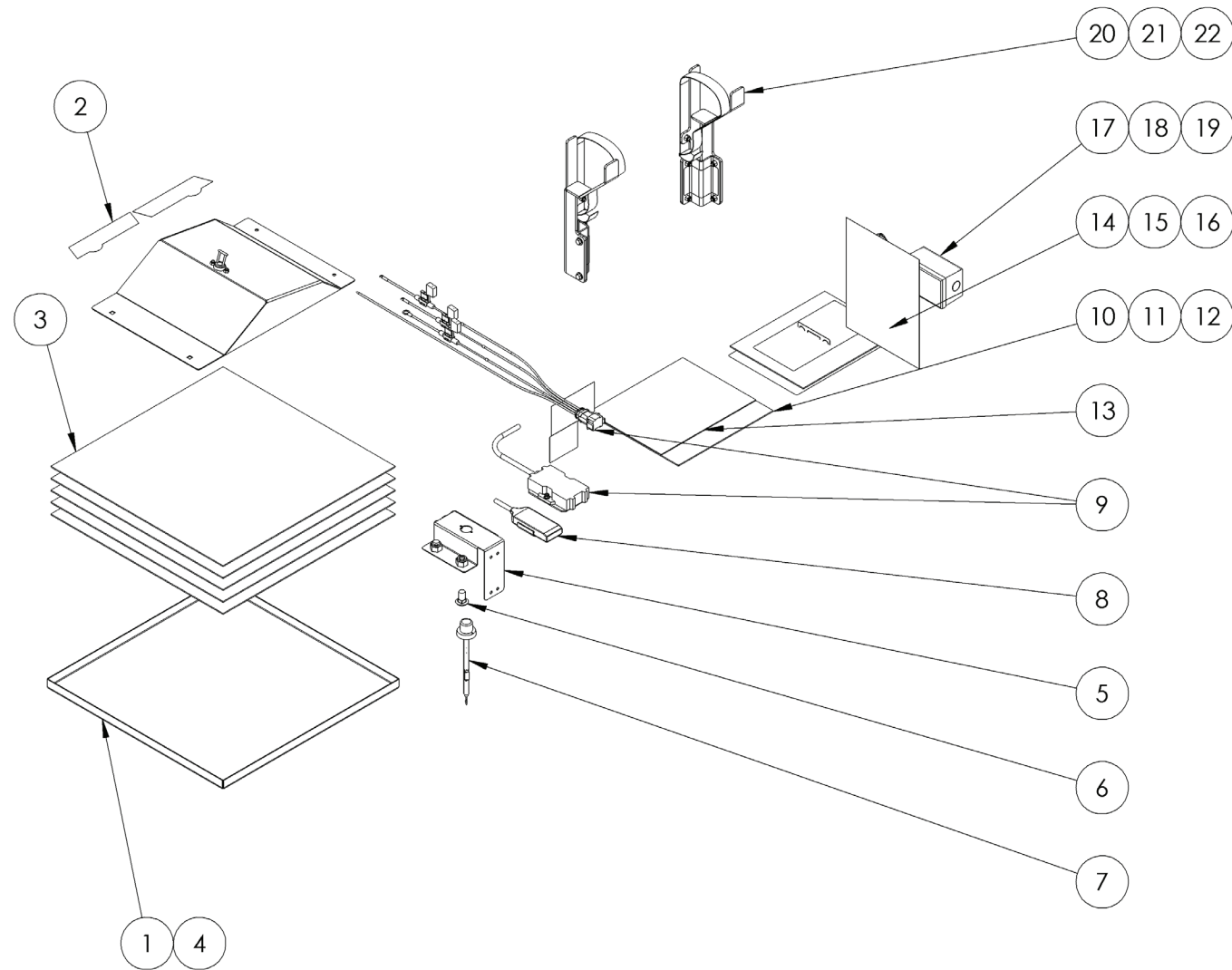


FIGURE 26: Options & Miscellaneous

Item #	Part Number	Part Description	Notes	Qty	Superseded By
1	112-21-540-51	ASM,LEAKGUARD		1	
2	DE1283	DECAL, LEAKGUARD		2	
3	HYDR-305-KIT	PAD,ABSORBENT,5 PC REFILL KIT		1	
4	112-01-523-05	BASE,PUMP DRAWER BASE		1	
5	112-21-541-50-K	ASM,BEACON PS S5		1	
6	SCREW-5000	1/2-13 X 1 RH-SN CARRAIGE BOLT		2	
7	112-21-546-51	ASM, BEACON PS S5		1	
8	112-21-542-50	ASM,TRACKUNIT 600		1	
9	112-21-545-50	ASM,TELE,ZTR M7		1	
10	PS5.0-S	MANUAL OP, PRO SERIES S5		1	
11	PS5.0-M	MANUAL MAINT, PRO SERIES S5		1	
12	PS5.0-P	MANUAL PARTS, PRO SERIES S5		1	
13	MISC-602	MANUAL,RESP,A92.22-24		1	
14	112-21-524-50-K	ASM,DECALS 2P ANSI PS10 S5		1	
15	112-21-524-53-K	ASM,DECALS 2P ANSI PS14 S5		1	
16	112-21-524-56-K	ASM,DECALS 2P ANSI PS19 S5		1	
17	112-21-508-50	ASM,PTP PS10 S5		1	
18	112-21-508-53	ASM,PTP PS14 S5		1	
19	112-21-508-56	ASM,PTP PS19 S5		1	
20	112-21-571-50-K	PIPE RACK		1	
21	DE-1295	DECAL,PIPE RACK, INFORMATION		2	
22	SUPO-764	PIPE RACK INSTRUCTIONS,PS S5		1	

HY-BRID LIFTS™

BY CUSTOM EQUIPMENT LLC

Self-Propelled
Mobile Elevated Work Platform
PS-1030, PS-1430, PS-1930

Parts
Manual

Custom Equipment, LLC
2647 Highway 175
Richfield, WI 53076
U.S.A.

☎ +1.262.644.1300

📠 +1.262.644.1320

🌐 hybridlifts.com

“Hy-Brid Lifts” is a trademark of Custom Equipment, LLC. These machines comply with ANSI/SIA A92.20 and CSA B354.6:17.

Revision Date: May 2022

Printed in the U.S.A.