

# *Hy-Brid Lifts*<sup>™</sup> by Custom Equipment



## **ADDENDUM MANUAL FOR**

Hy-Brid Lifts  
Model  
HB-P830  
With Slide-out Deck

Push-Around  
Aerial Work Platform

Refer to the Operation and Safety Manual (SUPO-614) and the Maintenance and Troubleshooting Manual (SUPO-615) for all other details not covered in this addendum.

## Product Description (HB-P830 lift with a Slide-out deck)

### Purpose

Custom Equipment's Hy-Brid Scissor Lift is an aerial work platform designed to be safe and reliable. The purpose of the machine is to elevate personnel, along with their necessary tools and materials to overhead work locations. Manufacturer approval is required for any use other than the intended use.

This addendum only covers items specific to the HB-P830 lift with a slide-out deck. Refer to the Operation and Safety Manual (SUPO-612) and the Maintenance and Troubleshooting Manual (SUPO-615) for all other details not covered in this manual.

### Extending the Slide-Out Deck

- Stand on the platform deck.
- Grip the Slide Lock Handle to allow the deck to slide.
- Slide the deck out to the locking point at approximately 13 in. extension.
- Release the handle to keep deck in place. Be sure lock is engaged before entering.

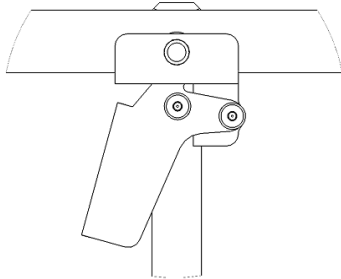


Figure 1: Slide Brake



### WARNING

DO NOT EXCEED THE RATED CAPACITY. THE CAPACITY OF THE SLIDE OUT DECK IS  
MAXIMUM 250 LBS. OR ONE PERSON.



### WARNING


IF THE SLIDE-OUT DECK IS EXTENDED, CHECK FOR CLEARANCE UNDER AREA BEFORE  
LOWERING PLATFORM.

## Machine Specifications

(Subject to Change)

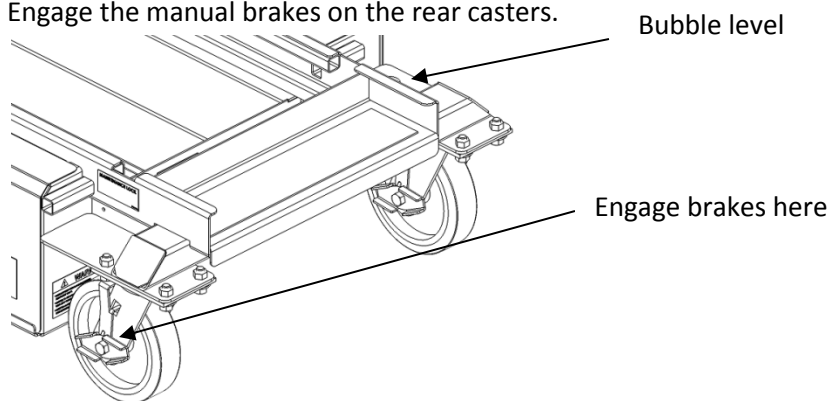
	<b>HB-P830 (w/Slide-out Deck)</b>	
Working Height (maximum)	14 ft.	4.27m
Platform Height (maximum)	8 ft.	2.44 m
Stowed Height	63.71 in.	1.62 m
Ground Clearance	2.5 in.	0.064 m
Overall Width	30 in	0.76 m
Overall Length	47 in.	1.19 m
Platform (Retracted, Inside)	25 in. x 44.5in.	0.64 m x 1.13 m
Slide-Out Deck Length	19 in.	0.48 m
Guard Rail Height	39.83 in.	x.x m
Toe Board Height	6 in.	0.15 m
Platform Entrance	23.75 in.	0.60 m
Step Height	11.80 in.	0.3 m
Wheel Base	37.13 in.	0.94 m
Wheel Track	25.5 in.	0.65 m
Turning Radius (Inside)	Zero	Zero
Tire Size (Solid, Non-Marking)-Front	8 in.	20.3 cm
Tire Size (Solid, Non-Marking)-Rear	8 in.	20.3 cm
Lift Capacity (Evenly Distributed):	500 lbs./1 Person	226.8 kg/1 Person
Horizontal/Manual Force	75 lb.	333 N
Machine Weight (Unloaded) (Approx.)	939 lb.	426 kg
Minimum Wheel Load-Contact Pressure	47.0 psi	323 kPa
Maximum Wheel Load-Contact Pressure	72.0 psi	496 kPa
Minimum Machine Loading-Floor Pressure	95.0 PSF	4.59 kPa
Maximum Machine Loading-Floor Pressure	147.0 PSF	7.04 kPa
<b>ENVIRONMENTAL LIMITATIONS</b>		
Wind	No Windy Conditions/Indoor Use Only	
Rated Slope	Level Surface	
Temperature	-4° F-104° F	-20° C-40° C
Vibration	8.2 ft/s <sup>2</sup> max	2.5 m/s <sup>2</sup> max
Sound	86 dB Normal Use	86 dB Normal Use
Lift/Lower Speed	35/25 sec	35/25 sec
Hydraulic Pressure (max)	1300 psi	8963 kPa
Hydraulic Fluid Capacity	1.325 gal	5.38 L

## Startup/Shut Down

 **DANGER**

THE OPERATOR MUST BE AWARE OF THE ENVIRONMENT. DO NOT RAISE THE PLATFORM IF THE MACHINE IS NOT ON A FIRM, LEVEL SURFACE.

- Check that the work area is safe.
- It is not recommended to maneuver the unit on a slope greater than 5°.
- Ensure that the key in the lower control panel is in the "ON" position for the chassis or platform control.
- Machine must be on a hard, level, surface before operation. Check that the bubble level is centered.
- Engage the manual brakes on the rear casters.



**Figure 2: Rear Brakes**

- After unit is positioned and brakes locked, plug unit into 120VAC source
- Enter the work platform in the stowed position using the constant three point contact method.
- Follow all general rules and precautions stated in this manual.
- When finished with the machine, place the platform in the stowed position.
- Unplug the unit from the 120VAC source.
- Park the machine on a level surface.
- Carefully exit the platform using the constant three point contact method.  
NEVER JUMP OFF PLATFORM.
- Remove key from lower control panel to prevent unauthorized use.