

HY-BRID LIFTS™

BY CUSTOM EQUIPMENT LLC

PARTS MANUAL

SELF-PROPELLED AERIAL WORK PLATFORM

SUPO-715

REV B



HB-1030CE

HB-1430CE

SERIES III

Model HB-1030 Serial # Ranges:
E01-30001-39999

Model HB-1430 Serial # Ranges:
E02-30001-39999

TABLE OF CONTENTS

NOTES.....	2
FOREWORD.....	3
TABLE OF CONTENTS.....	4
INDEX OF FIGURES.....	5
SECTION 1 BASE.....	6
1.1 POTHOLE GUARD PARTS.....	6
1.2 POTHOLE ACTUATOR SUBPARTS.....	7
1.3 STEER PARTS.....	8
1.4 STEER ACTUATOR PART.....	8
1.5 CENTER STEER SUBPARTS.....	9
1.6 CASTER SUBPARTS.....	10
1.7 FRONT WHEEL SUBPARTS.....	10
1.8 DRIVE PARTS.....	11
1.9 DRIVE SUBPARTS.....	12
1.10 DRIVE BRAKE SUBPARTS.....	13
1.11 PUMP PARTS.....	14
1.12 PUMP SUBPARTS.....	15
1.13 MISCELLANEOUS PARTS.....	16
SECTION 2 CONTROLS.....	18
2.1 MAIN CABLE SUBPARTS.....	20
2.2 UPPER CONTROL PARTS.....	21
2.3 JOYSTICK SUBPARTS.....	22
2.4 LOWER CONTROL PARTS.....	23
2.5 SELECTOR SWITCH SUBPARTS.....	24
2.6 E-STOP SWITCH SUBPARTS.....	24
2.7 KEY SWITCH SUBPARTS.....	25
2.8 HORN SWITCH PARTS.....	26
2.9 MASTER POWER SWITCH PARTS.....	27
SECTION 3 SCISSOR.....	28
3.1 SCISSOR PARTS.....	28
3.2 CYLINDER SUBPARTS.....	32
SECTION 4 PLATFORM & RAILS.....	34
4.1 PLATFORM & RAILS PARTS.....	34
SECTION 5 DECALS.....	36
5.1 DECALS.....	36
SECTION 6 OPTIONS & MISCELLANEOUS.....	40
6.1 OPTIONS & MISCELLANEOUS PARTS.....	40

INDEX OF FIGURES

FIGURE 1: HB-1030/HB-1430 Pothole Guard Parts.....	6
FIGURE 2: HB-1030/HB-1430 Pothole Actuator Subparts.....	7
FIGURE 3: HB-1030/HB-1430 Steer Parts.....	8
FIGURE 4: HB-1030/HB-1430 Steer Actuator Part.....	8
FIGURE 5: HB-1030/HB-1430 Center Steer Subparts.....	9
FIGURE 6: HB-1030/HB-1430 Caster Subparts.....	10
FIGURE 7: HB-1030/HB-1430 Front Wheel Subparts.....	10
FIGURE 8: HB-1030/HB-1430 Drive Parts.....	11
FIGURE 9: HB-1030/HB-1430 Drive Subparts.....	12
FIGURE 10: HB-1030/HB-1430 Brake Left Subparts.....	13
FIGURE 11: HB-1030/HB-1430 Pump Parts.....	14
FIGURE 12: HB-1030/HB-1430 Pump Subparts.....	15
FIGURE 13: HB-1030/HB-1430 Base Miscellaneous Parts.....	16
FIGURE 14: HB-1030/HB-1430 Controls/Electrical Parts.....	18
FIGURE 15: HB-1030/HB-1430 Main Cable.....	20
FIGURE 16: HB-1430/HB-1030 Upper Control Parts.....	21
FIGURE 17: HB-1030/HB-1430 Joystick Subparts.....	22
FIGURE 18: HB-1030/HB-1430 Lower Control Parts.....	23
FIGURE 19: HB-1030/HB-1430 Selector Switch Subparts.....	24
FIGURE 20: HB-1030/HB-1430 E-Stop Switch Subparts.....	24
FIGURE 21: HB-1030/HB-1430 Key Switch Subparts.....	25
FIGURE 22: Elevate Lower Switch Parts.....	26
FIGURE 23: Master Power Switch Parts.....	27
FIGURE 24: HB-1030 Scissor Parts.....	28
FIGURE 25: HB-1430 Scissor Parts.....	30
FIGURE 26: HB-1030 Cylinder Subparts.....	32
FIGURE 27: HB-1430 Cylinder Subparts.....	33
FIGURE 28: HB-1030/1430 Platform & Rail Parts.....	34
FIGURE 29: HB-1030 Decals.....	36
FIGURE 30: HB-1430 Decals.....	38
FIGURE 31: HB-1030 Options & Miscellaneous Parts.....	40
FIGURE 32: HB-1430 Options & Miscellaneous Parts.....	42

1.1 | POTHOLE GUARD PARTS

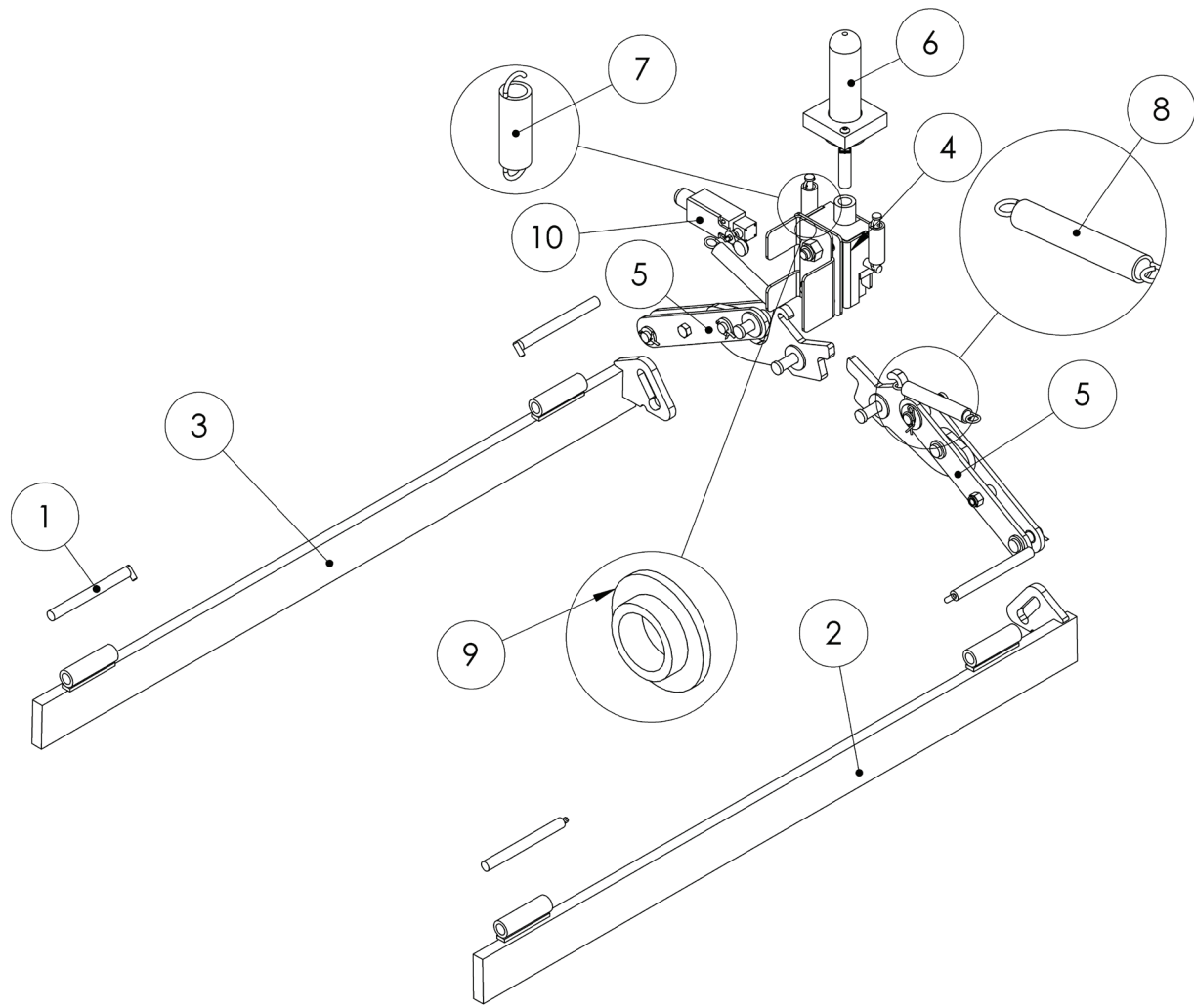


FIGURE 1: HB-1030/HB-1430 Pothole Guard Parts

Item #	Part Number	Part Description	Notes	Qty	Superseded By
1	RND-HB-002-P	PIN,HINGE,0.50,5.0		1	
2	HB-PH-21-L-EC	BASE,PH BAR L (HB2 10.0 WHL)		1	
3	HB-PH-21-R-EC	BASE,PH BAR R (HB2 10.0 WHL)		1	
4	1022101862-KIT	ASM,BASE PH LOCK		1	
5	1002100191-KIT	ASM,BASE PH ARMS		1	
6	SUB A28-KIT	ASM,BASE PH ACT		1	112-21-426-50-K
7	HARD-702	SPRING,EXT 3X.75000000,OD		2	
8	HARD-701	SPRING,EXT 5.5X.68750000,OD		2	
9	HARD-626-3	WASH,0.38ID,0.5D,0.19THK,NYL		1	
10	ELEC-123-5	SWITCH,LIMIT,ROT LVR,NO/NC PO		1	

1.2 | POTHOLE ACTUATOR SUBPARTS

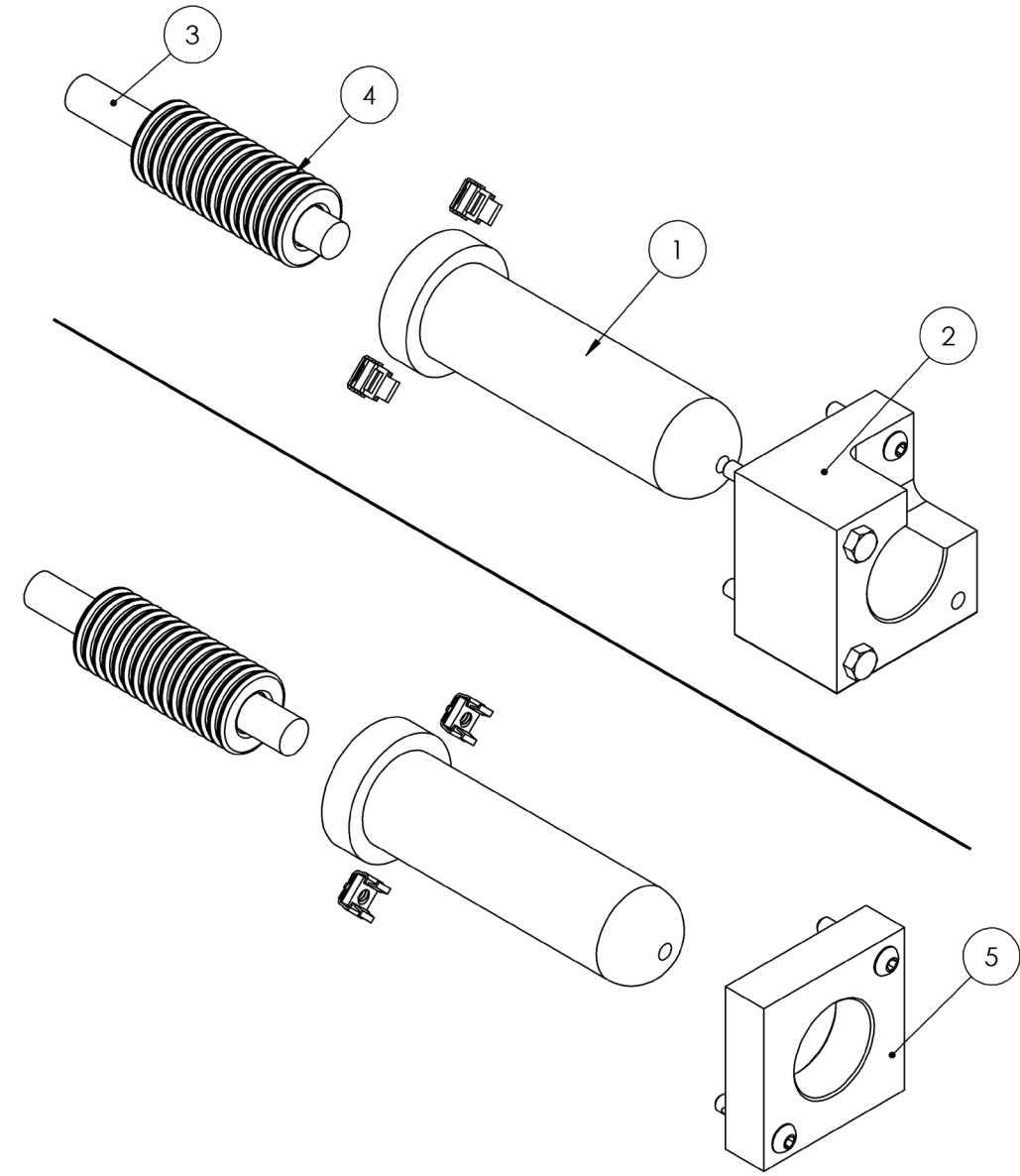


FIGURE 2: HB-1030/HB-1430 Pothole Actuator Subparts

Item #	Part Number	Part Description	Notes	Qty	Superseded By
1	HB-PH-20	BASE,PH RET SLEEVE		1	
2	112-01-235-03	BASE,PH GUIDE BLOCK-1.5 ID		1	
3	HB-M220-P	PH PLUNGER ROD		1	
4	HARD-654	SPRING,COMP,3 X 1.2500,OD		1	
5	HB-PH-13	BASE,PH GUIDE BLOCK-1.5 ID	Superseded;	1	112-01-235-03

1.3 | STEER PARTS

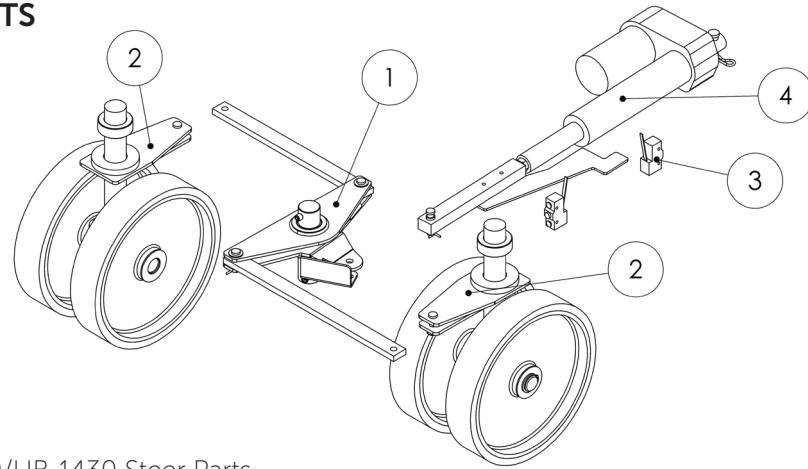


FIGURE 3: HB-1030/HB-1430 Steer Parts

Item #	Part Number	Part Description	Notes	Qty	Superseded By
1	SUB A26-KIT	ASM,BASE CENTER STEER		1	
2	SUB A27-KIT	ASM,BASE CASTERS 10 WHL		1	
3	ELEC-624	SWITCH,LIMIT STRAIGHT LEVER		2	
4	112-21-312-50-K	ASM,BASE STEER ACT		1	

1.4 | STEER ACTUATOR PART

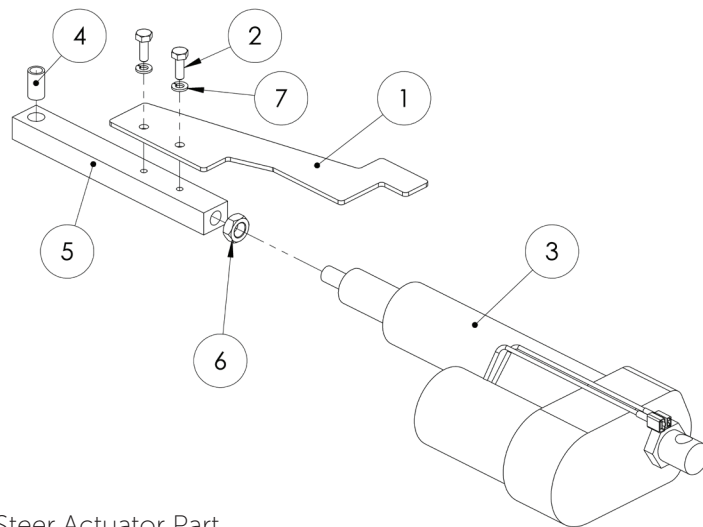


FIGURE 4: HB-1030/HB-1430 Steer Actuator Part

Item #	Part Number	Part Description	Notes	Qty	Superseded By
1	112-01-220-02	BASE,STEER LS ACT		1	
2	BOLT-2502	1/4-20 X .75 HHCS		2	
3	ELEC-650	ACTUATOR		1	
4	HARD-620	BUSHING,0.38,0.50,0.88		1	
5	HB-M205-P	BASE,STEER ACT EXT		1	
6	NUTS-6000	1/2-20 HEX JAM NUT (THIN)		1	
7	WASH-2521	1/4 LOCK WASHER		2	

1.5 | CENTER STEER SUBPARTS

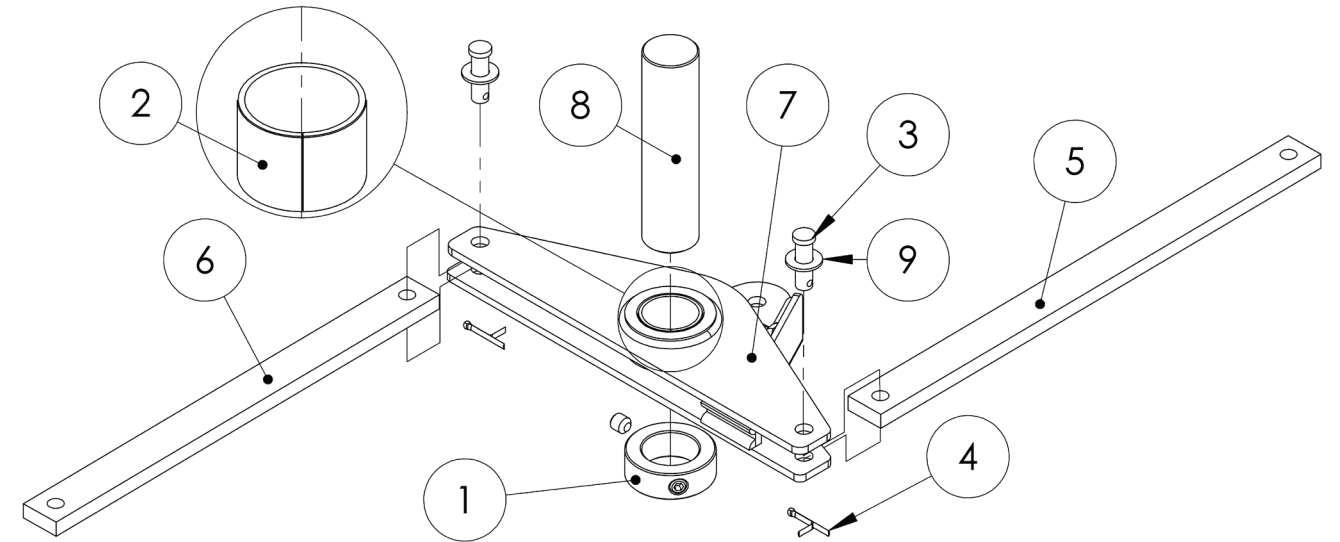


FIGURE 5: HB-1030/HB-1430 Center Steer Subparts

Item #	Part Number	Part Description	Notes	Qty	Superseded By
1	1021000102	SET COLLAR,1.25 ID		1	
2	HARD-001	DU BEARING, 1.25 ID, 1 LENGTH		1	
3	HARD-641-5	CLEVIS PIN,3/8 X 1.25,PLATED		2	
4	HARD-643	COTTER PIN, 5/32 X 1		2	
5	HB-ST-2-A-P	BASE,TIE ROD LONG		1	
6	HB-ST-3-A-P	BASE,TIE ROD SHORT		1	
7	HB-ST-4-B-KIT	BASE,STEER WLDMNT (HB2)		1	
8	PB-0018-P	PIN,STEER,1.25,6.0		1	
9	WASH-3800	3/8 FLAT WASHER		2	

1.6 | CASTER SUBPARTS

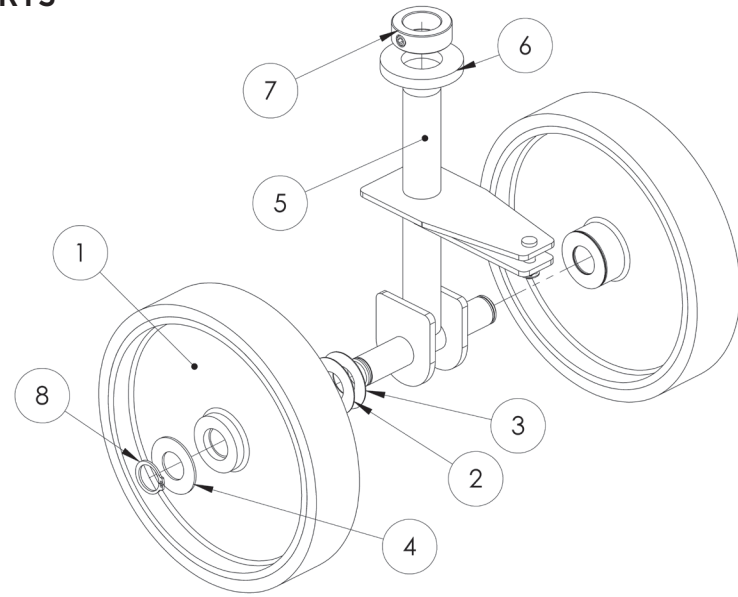


FIGURE 6: HB-1030/HB-1430 Caster Subparts

Item #	Part Number	Part Description	Notes	Qty	Superseded By
1	WHEE-604-KIT	WHL,10X2,GREY UR	Includes DU bearing	2	
2	WHEE-609-P	WASHER,1.015 IDX2 ODX.03 THK P		2	
3	WHEE-609-SS	WASHER, 1.015ID,2OD,.03 THK SS		2	
4	WHEE-603-2-P	WASHER,1.0 ID,2.0 OD,.075 THK		2	
5	PB-0021-P	BASE,CASTER FRONT		1	
6	HARD-615-2	THRUST BEARING,.38 THK,UHMW		1	
7	1021000102	SET COLLAR,1.25 ID		1	
8	HARD-021	RET RING 1.0		2	

1.7 | FRONT WHEEL SUBPARTS

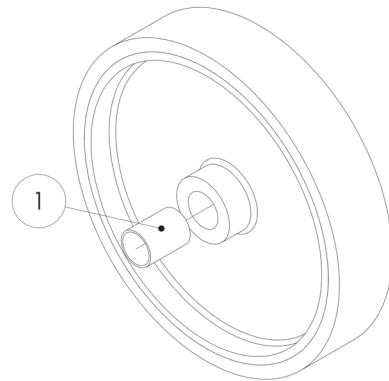


FIGURE 7: HB-1030/HB-1430 Front Wheel Subparts

Item #	Part Number	Part Description	Notes	Qty	Superseded By
1	HARD-001-1	DU BEARING,1 ID X 1.5 L		1	

1.8 | DRIVE PARTS

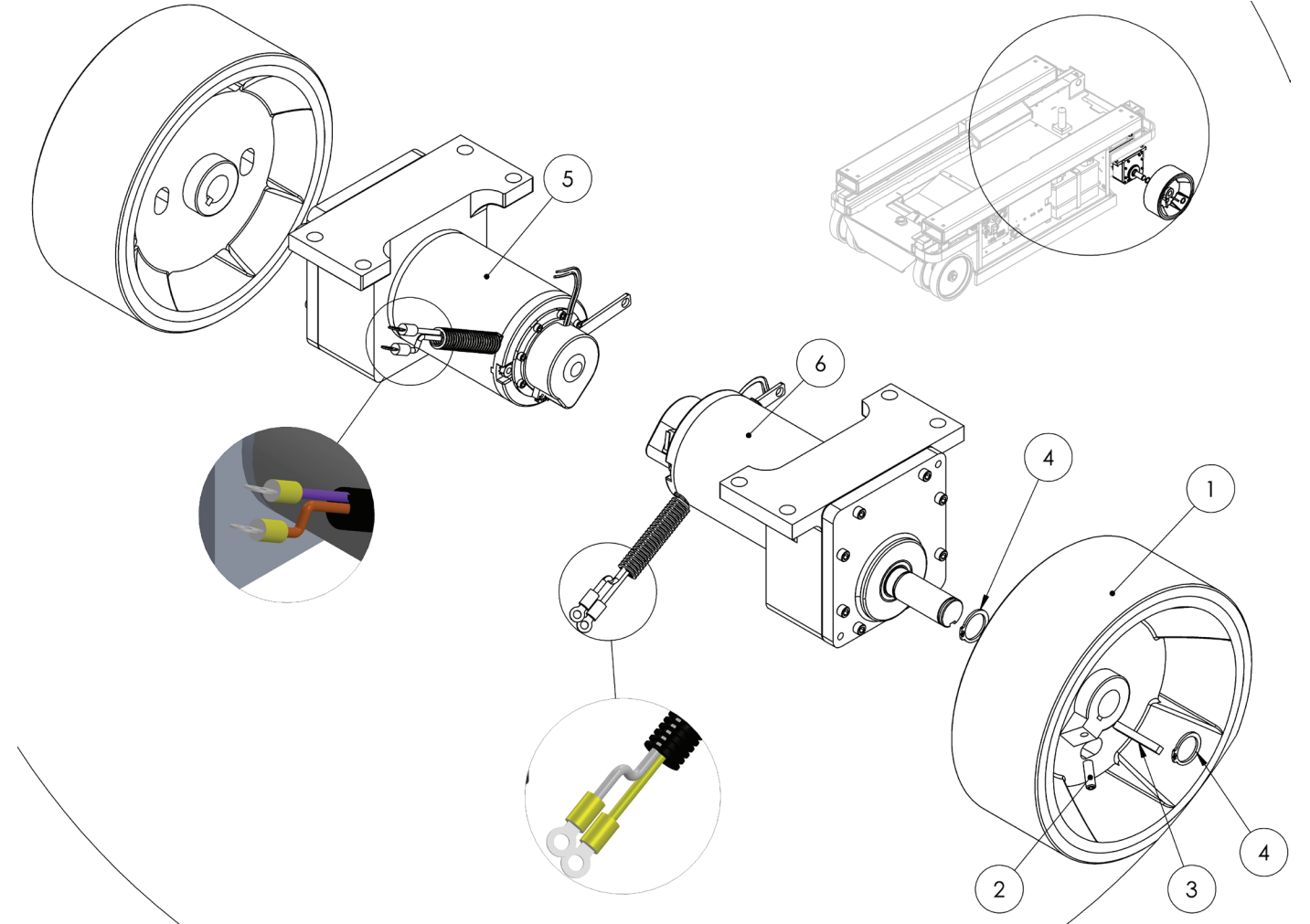


FIGURE 8: HB-1030/HB-1430 Drive Parts

Item #	Part Number	Part Description	Notes	Qty	Superseded By
1	WHEE-600-1	WHL,10X4 GREY UR KW 1.0		2	
2	SCREW-2011	5/16-18 X 1 SS CUP PT SET SCRW		2	
3	HARD-157	KEY,0.25 X 0.25 X 2		2	
4	HARD-021	RET RING 1.0		4	
5	ELEC-759-R-KIT	DRIVE MOTOR,24VELE,HB,DUM,HT	WHT-YEL/YEL LEADS, RIGHT	1	
6	ELEC-758-L-KIT	DRIVE MOTOR,24VELE,HB,DUM,HT	ORANGE/VIOLET LEADS, LEFT	1	

1.9 | DRIVE SUBPARTS

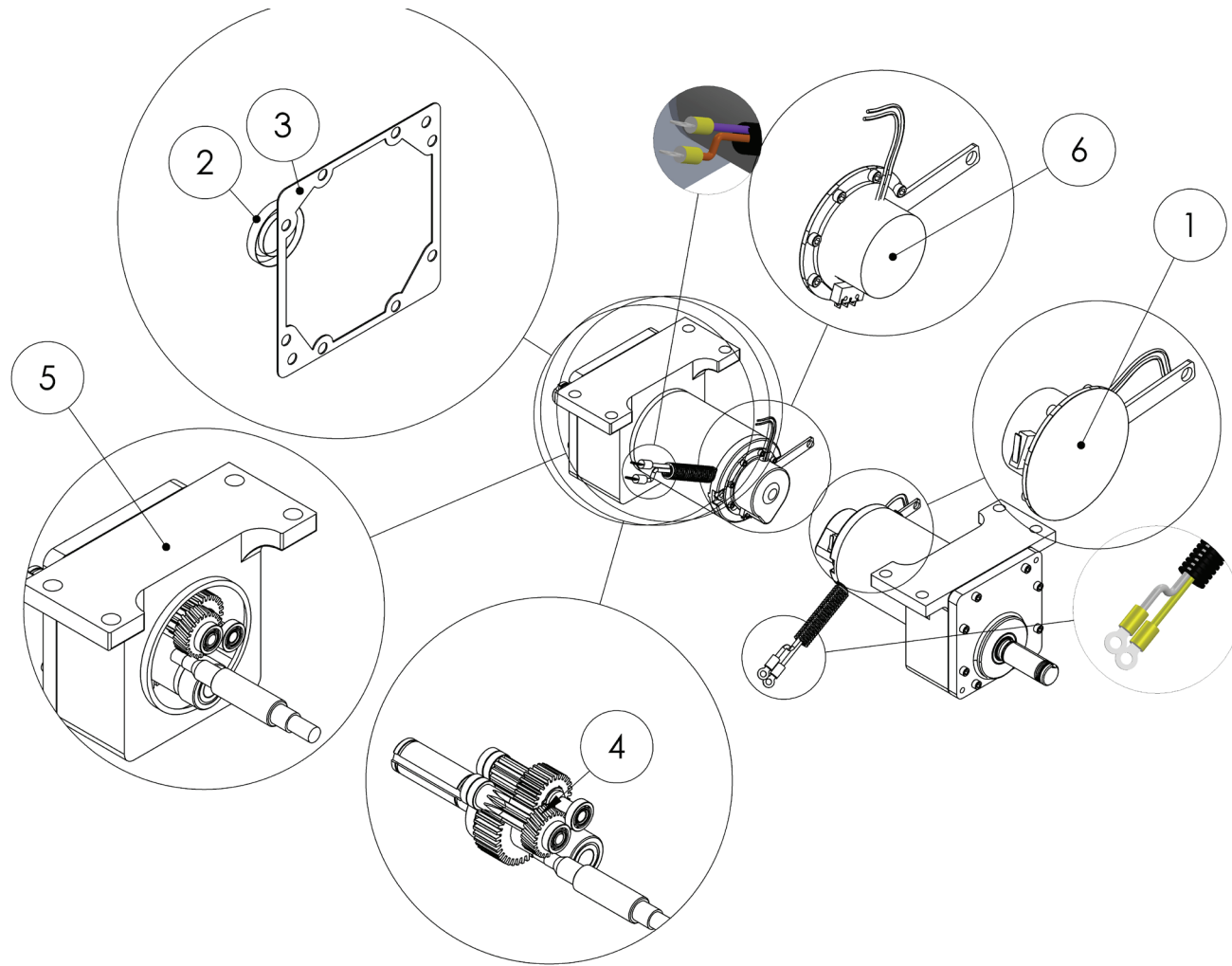


FIGURE 9: HB-1030/HB-1430 Drive Subparts

Item #	Part Number	Part Description	Notes	Qty	Superseded By
1	ELEC-627-5L	DRIVE MOTOR BRAKE L,HB,DUM	DUMORE: HOUSING ALL SILVER	1	
2	ELEC-626-4A	DRIVE MOTOR SHAFT SEAL,DUM		1	
3	ELEC-626-4B	DRIVE MOTOR HOUSING GASKET,DUM		1	
4	ELEC-760-G	DRIVE MOTOR GEARS,HB,DUM		1	
5	ELEC-760-C	DRIVE MOTOR GEARBOX,DUM HT	(NO GEARS)	1	
6	ELEC-627-5R	DRIVE MOTOR BRAKE R,HB,DUM	DUMORE: HOUSING ALL SILVER	1	

1.10 | DRIVE BRAKE SUBPARTS

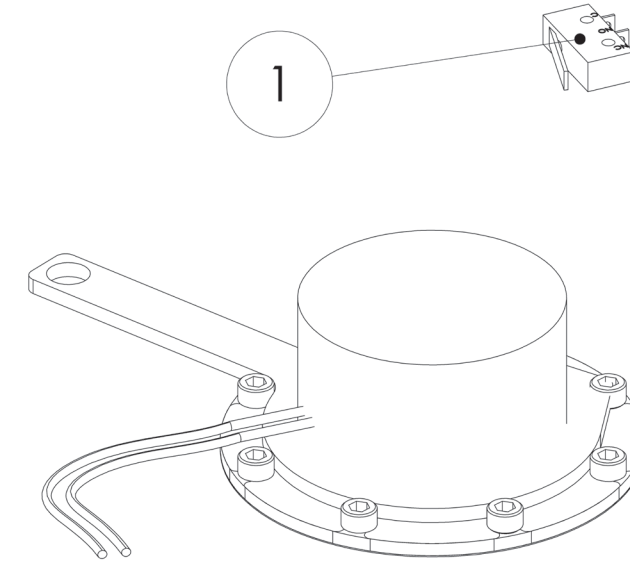


FIGURE 10: HB-1030/HB-1430 Brake Left Subparts

Item #	Part Number	Part Description	Notes	Qty	Superseded By
1	ELEC-126-7-KIT	SWITCH,LIMIT,STRAIGHT LVR MICR	DUMORE: HOUSING ALL SILVER	1	

1.11 | PUMP PARTS

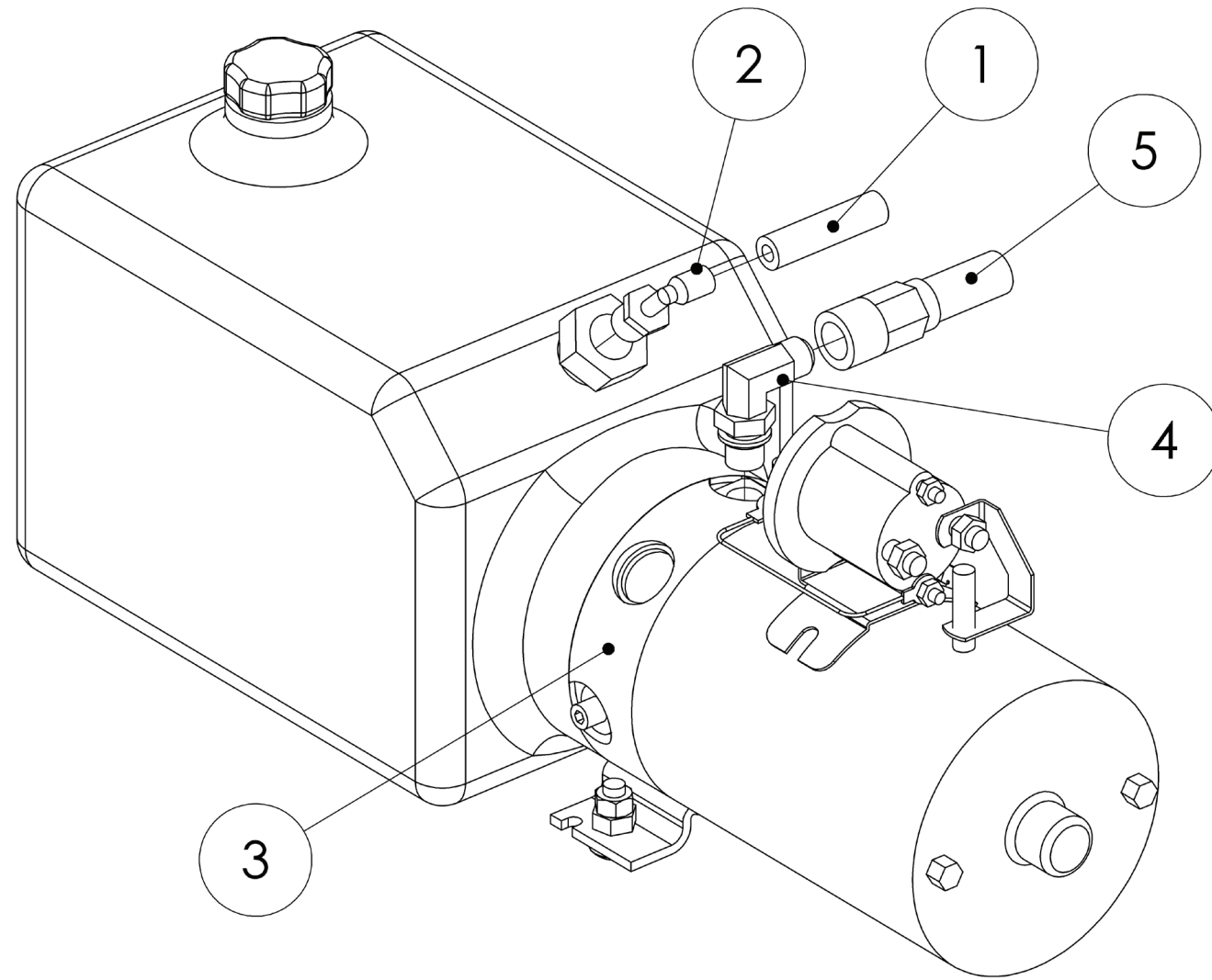


FIGURE 11: HB-1030/1430 Pump Parts

Item #	Part Number	Part Description	Notes	Qty	Superseded By
1	HYDR-022-3	LOW PRESSURE HOSE	Quantity in inches	102-163	
2	HYDR-019	FITTING,ELB,NPTM 3/8-1/4 PUSH		1	
3	HYDR-050-1E	PUMP,24VDC,0.125,1.15,NA	Entire pump	1	
4	HYDR-035	FITTING,ELB,JICM9/16-SAEORM#6		1	
5	HYDR-600	HOSE ASM,HB-2X	For HB-1030CE	1	
5	HYDR-600-6	HOSE ASM,HB-3X	For HB-1430CE		

1.12 | PUMP SUBPARTS

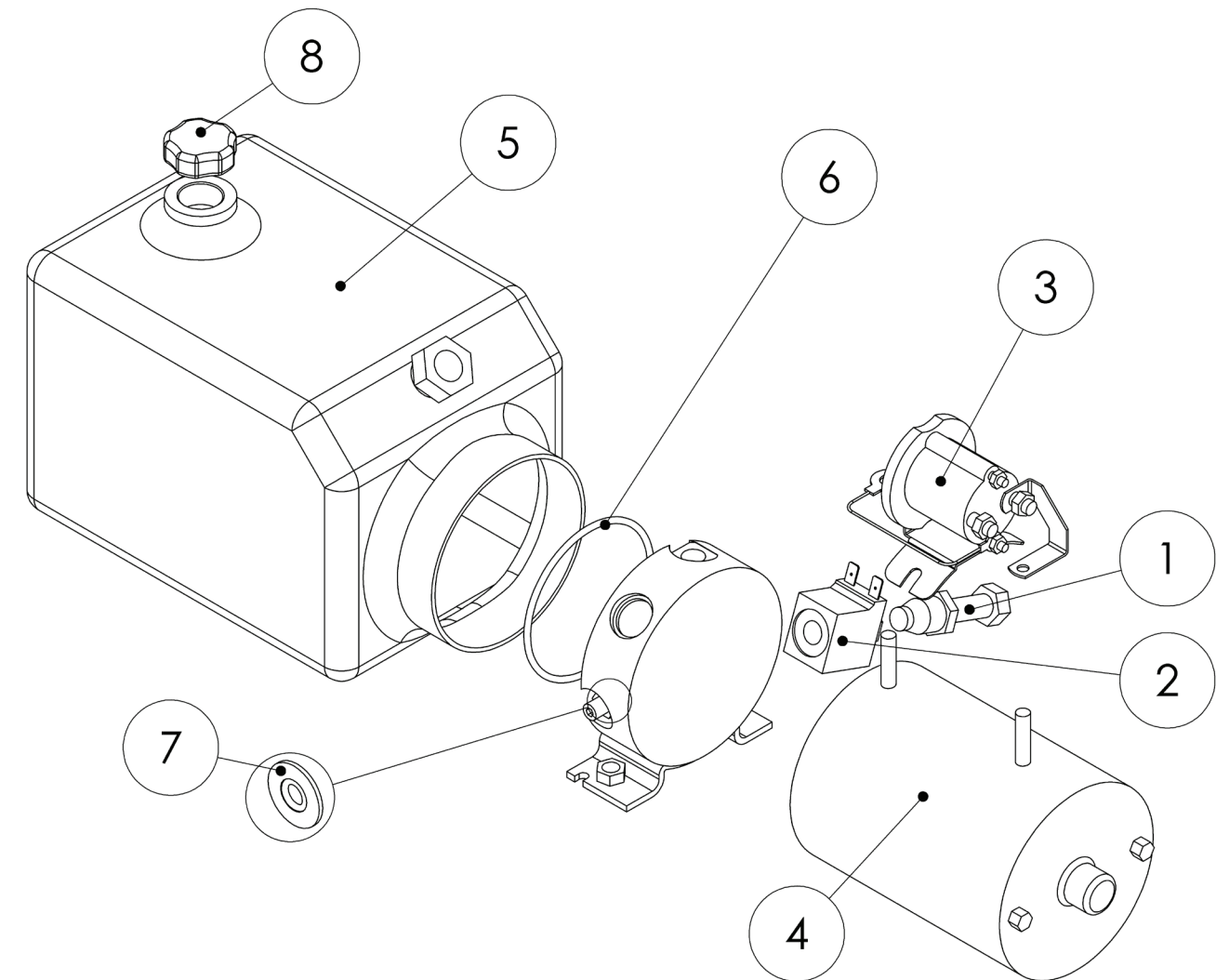
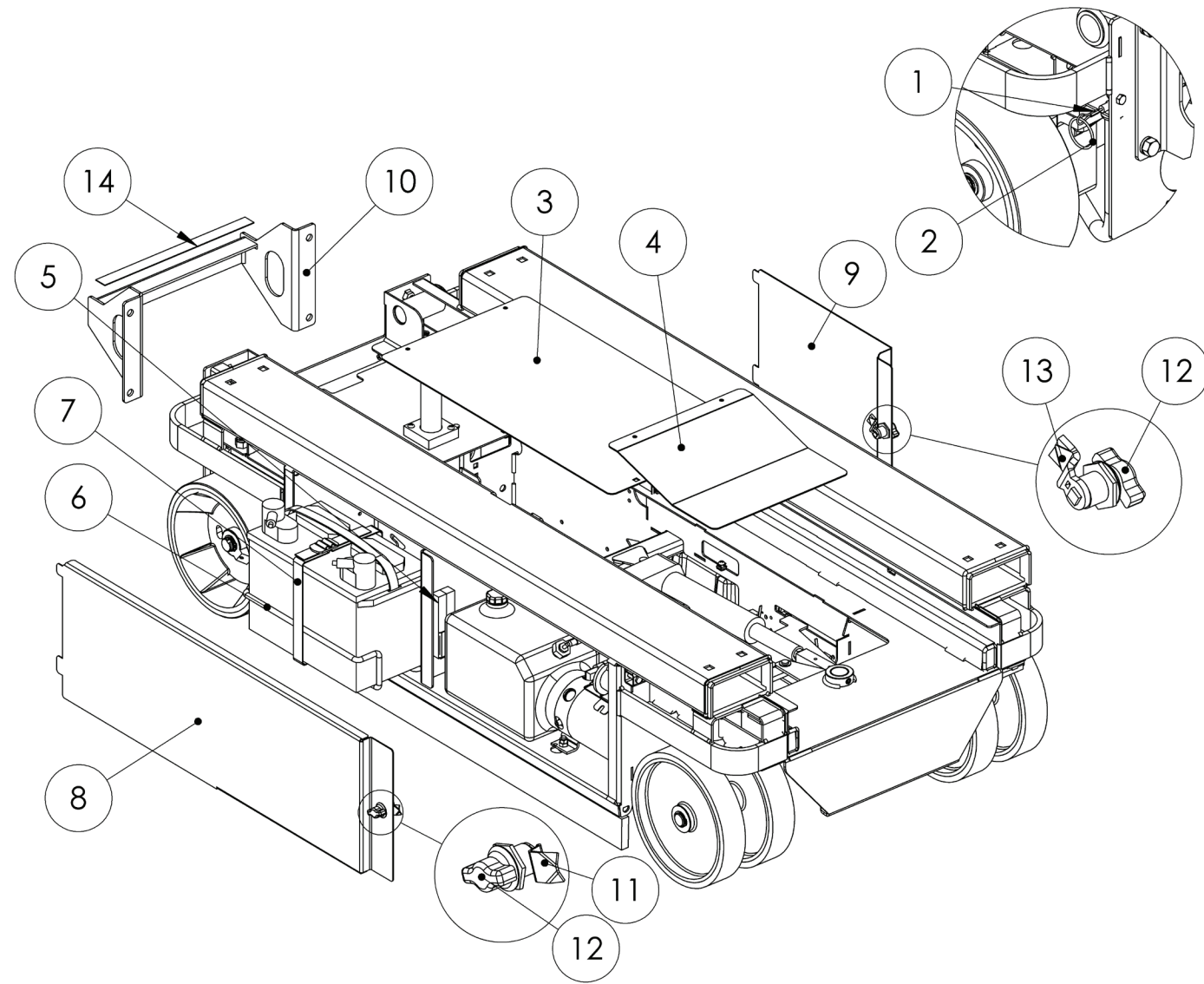


FIGURE 12: HB-1030/1430 Pump Subparts

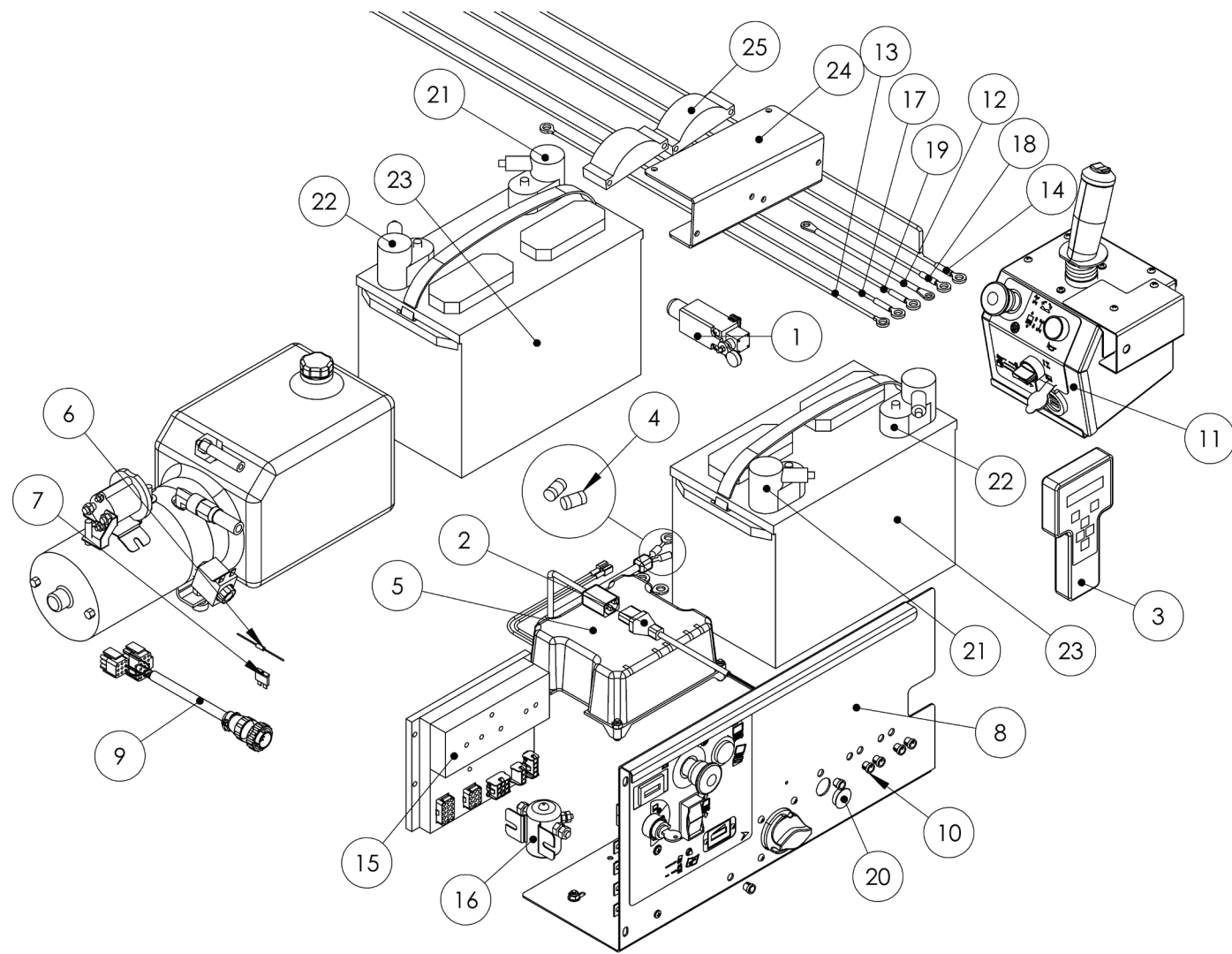
Item #	Part Number	Part Description	Notes	Qty	Superseded By
1	HYDR-665	VALVE,NO,2W/2P,#8,UP		1	
2	HYDR-664	COIL,18V		1	
3	HYDR-666-1	SOLENOID,24V,ISOLATED,SPST		1	
4	HYDR-050-1MOTOR	PUMP MOTOR,24V,0.125 CIR		1	
5	HYDR-067	PUMP RESERVOIR,1.15 GAL		1	
6	HYDR-068	PUMP RESERVOIR O-RING		1	
7	HYDR-667	WASH,0.38 ID,0.75 OD,PRES SEAL		1	
8	HYDR-042	PUMP RESERVOIR CAP		1	

1.13 | MISCELLANEOUS PARTS



Item #	Part Number	Part Description	Notes	Qty	Superseded By
1	HARD-644-01	LOW FRICTION CABLE, 60/70	For HB-1030	1	
1	HARD-644-02	LOW FRICTION CABLE, 80/90	For HB-1430	1	
2	HARD-651	RING,1.4 ID		1	
3	1020500101	COVER,BASE TOP		1	
4	1020500201	COVER,FRONT		1	
5	HB-M215-P	MAINT LOCK PIN (SQUARE)		2	
6	1020123502	BASE,BATT TRAY		2	
7	HARD-054	BATTERY STRAP/BUCKLE		2	
8	1020500401-KIT	COVER,PUMP SIDE		1	
9	1020500301-KIT	COVER,BATT CONTROL SIDE		1	
10	LAS-M100-E-PC	BASE,ACCESS STEP	For HB-1030	1	
10	1020102701	BASE,ACCESS STEP W/BALLAST	For HB-1430		
11	HARD-633C	CABINET LATCH CAM		1	
12	HARD-633B	CABINET LATCH HANDLE		2	
13	HARD-633D	CABINET LATCH CAM		1	
14	MISC-030-01-KIT	ANTI-SLIP TAPE,1, 13.75 LENGTH		1	

FIGURE 13: HB-1030/HB-1430 Base Miscellaneous Parts



Item #	Part Number	Part Description	Notes	Qty	Superseded By
1	ELEC-123-5	SWITCH,LIMIT,ROT LVR,NO/NC PO		1	
2	ELEC-639-11	CORD,IEC AC WIRE/IEC C13,36.0		1	
3	ELEC-646-2	TOOL,PGT PROGRAMMER,EZ-CAL		1	
4	ELEC-670-6	FUSE 30 AMP,PCS		4	
5	ELEC-747	CHARGER,24V	PCS	1	
6	ELEC-809-2	RESISTOR 1K OHM, 1 WATT		1	
7	ELEC-959	FUSE, 20A ATC		1	
8	112-21-307-51	ASM,CTL LWR HBLG S3		1	
9	112-21-304-50	CTL,WIRE HARNESS MAIN HBLGS3		1	
10	HARD-658	PLUG,0.38 DIA,TRANSPARENT		6	
11	112-21-308-51	ASM,CTL UPR		1	
12	ELEC-117-DC-1	CABLE,06GA,RED,8,R/R		1	
13	ELEC-641E	CABLE,6GA,BLACK,22.00,B/B		1	
14	112-01-320-50	CBL,6GA,RED,46&54,R/R,.38 EYES		1	
15	112-21-311-51-K	BOARD,DRIVE/LIFT CTL HBLG CE		1	
16	HYDR-666	SOLENOID,24V,ISOLATED,SPST		1	
17	1002101650	CABLE,6GA,BLACK,36,B/B		1	
18	ELEC-641C	CABLE,6GA,RED,50,B/R		1	
19	ELEC-641A	CABLE,6GA,BLACK,63,B/B		1	
20	HARD-706	PLUG,0.88 DIA,BLACK		1	
21	ELEC-634A	BATTERY BOOT (RED)		2	
22	ELEC-634B	BATTERY BOOT (BLACK)		2	
23	N/A	BATTERY,12V,GR27 HD DEEP CYCLE	NOT SOLD FOR REPLACEMENT. REPLACE WITH GROUP 27, 12-VOLT DEEP CYCLE OR AGM BATTERY WEIGHING AT LEAST 45 LB.	2	
24	129-02-202-01	SCISSOR, ANG SENSOR MNT		1	
25	ELEC-647	SENSOR,ANGLE		2	
26	WD-112-20-301-51	WD,HBLGCE S3	E01-35000-E01-39999; WIRING DIAGRAM	1	
27	WS-112-20-301-51	ELEC SCH,HBLG CE S3	E01-35000-E01-39999; ELECTRICAL SCHEMATIC	1	

FIGURE 14: HB-1030/HB-1430 Controls/Electrical Parts

2.1 | MAIN CABLE SUBPARTS

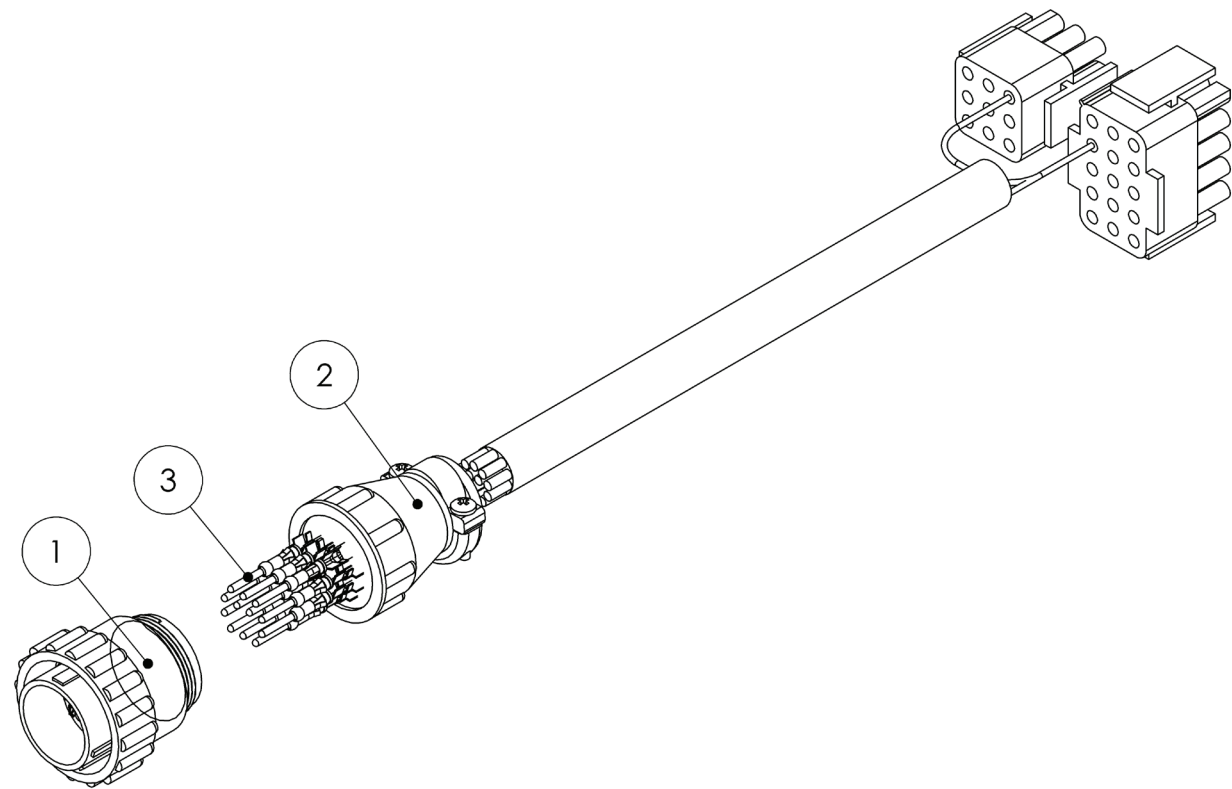


FIGURE 15: HB-1030/HB-1430 Main Cable

Item #	Part Number	Part Description	Notes	Qty	Superseded By
1	ELEC-749	CONN,CPC,PLUG,14 POS		1	
2	ELEC-750	CABLE CLAMP,CPC,BACK SHELL		1	
3	ELEC-752	CONTACT PIN,CPC,14-18GA TIN		12	

2.2 | UPPER CONTROL PARTS

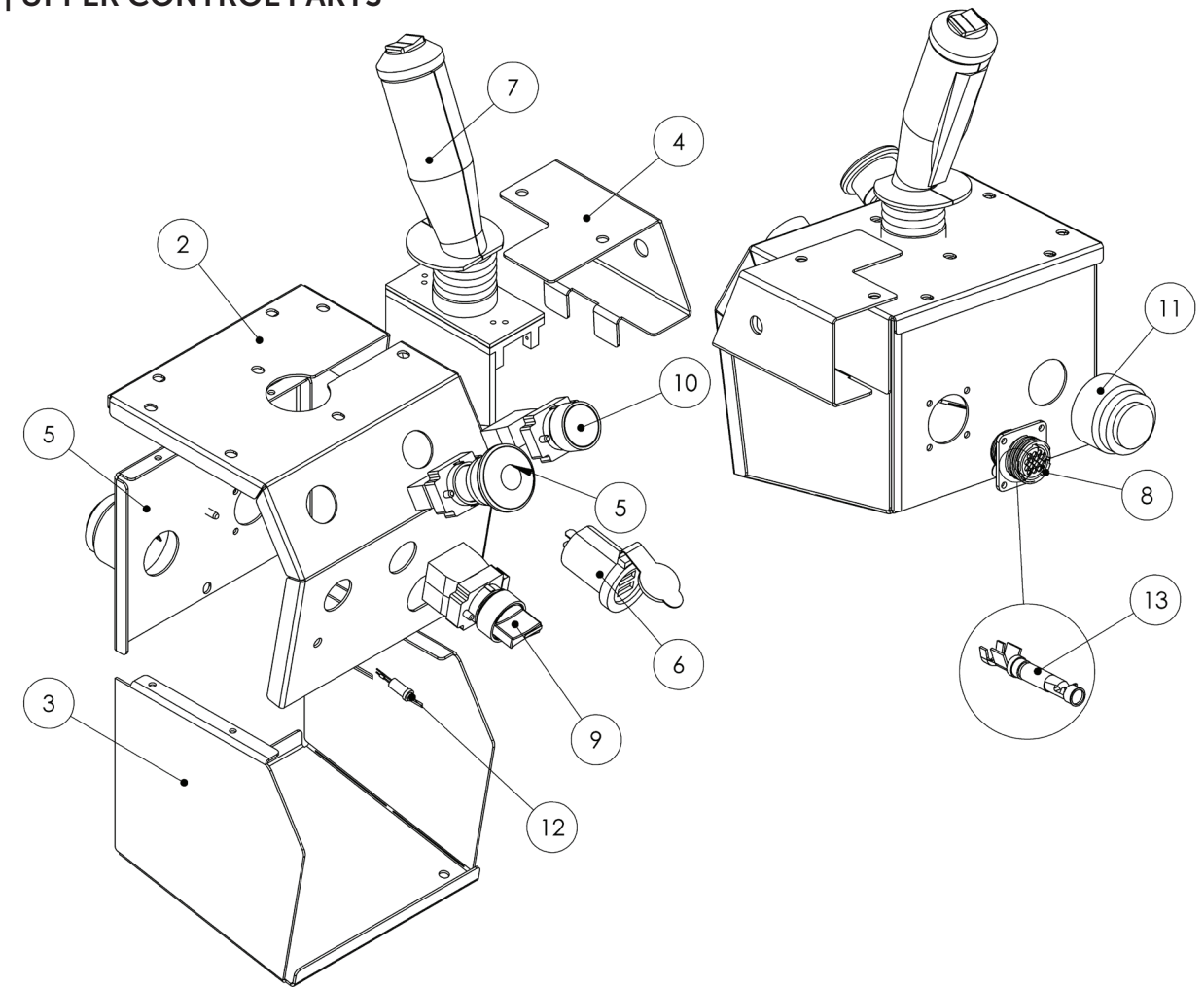


FIGURE 16: HB-1430/HB-1030 Upper Control Parts

Item #	Part Number	Part Description	Notes	Qty	Superseded By
1	WD-112-21-308-51	WD,UPR CTL HBLG		1	
2	112-03-202-01	RAIL, CTL UPR PANEL		1	
3	112-03-303-01	RAIL,CTL BOX LWR		1	
4	112-03-204-01	RAIL,CTL MNT CHNL		1	
5	ELEC-071-KIT	BUTTON,PUSH/PULL RED E-STOP		1	
6	ELEC-892	POWER PORT,USB 12/24V		1	
7	ELEC-601	JOYSTICK		1	
8	112-21-012-51	CTL,WIRE HARNESS,UPR CTL		1	
9	ELEC-002C-KIT	SWITCH,ROTARY MAINTAINED		1	
10	ELEC-604	BUTTON,PUSH BLACK		1	
11	ELEC-635-4	ALARM, CONTINUOUS		1	
12	ELEC-636	LED, RED		1	
13	ELEC-753	CONTACT, SOCKET 20-24 GA		12	

2.3 | JOYSTICK SUBPARTS

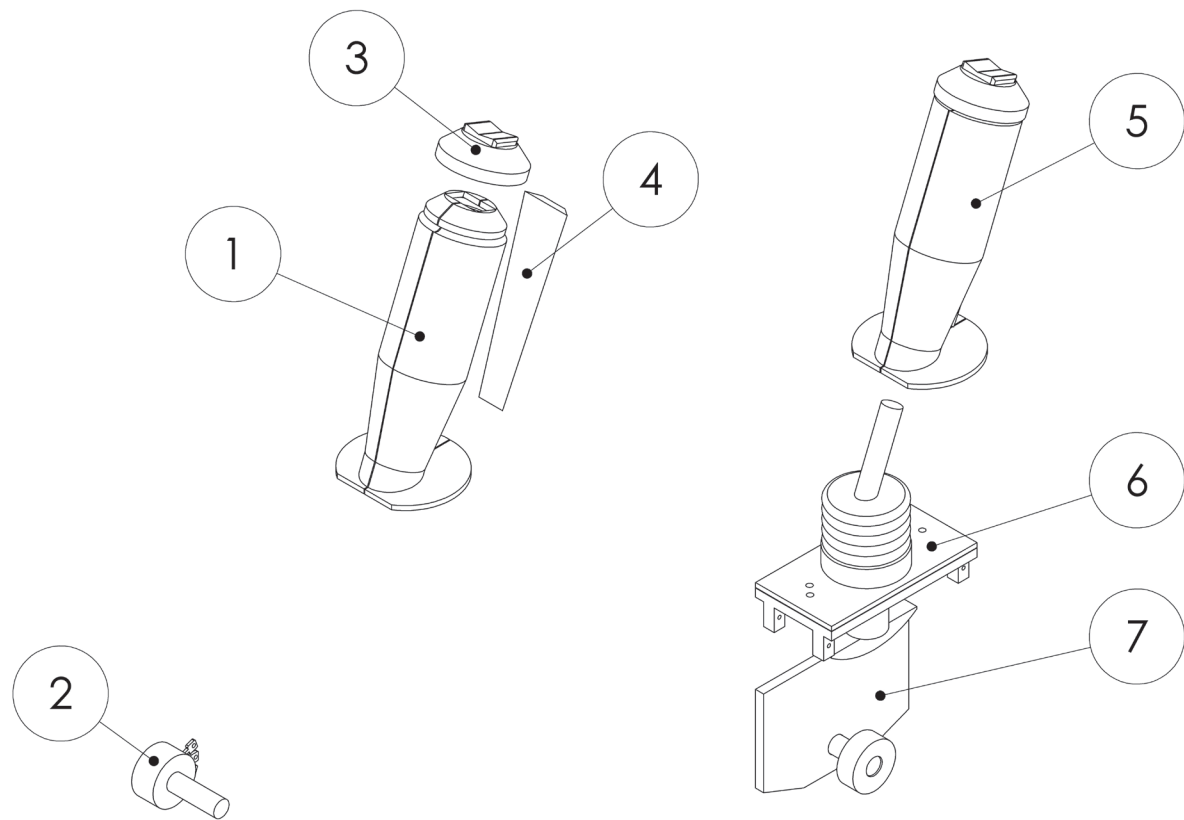


FIGURE 17: HB-1030/HB-1430 Joystick Subparts

Item #	Part Number	Part Description	Notes	Qty	Superseded By
1	ELEC-601-1	JOYSTICK HANDLE-LEFT & RIGHT		1	
2	ELEC-601-2	JOYSTICK POTENTIOMETER		1	
3	ELEC-601-4	JOYSTICK RUBBER BOOT ROCKR CAP		1	
4	ELEC-601-5	JOYSTICK-RED ENABLER TRIGGER		1	
5	ELEC-601-A	JOYSTICK HANDLE ASSEMBLY		1	
6	ELEC-601-B	JOYSTICK SHAFT ASSEMBLY		1	
7	ELEC-601-C	JOYSTICK POT & GEAR ASM		1	

2.4 | LOWER CONTROL PARTS

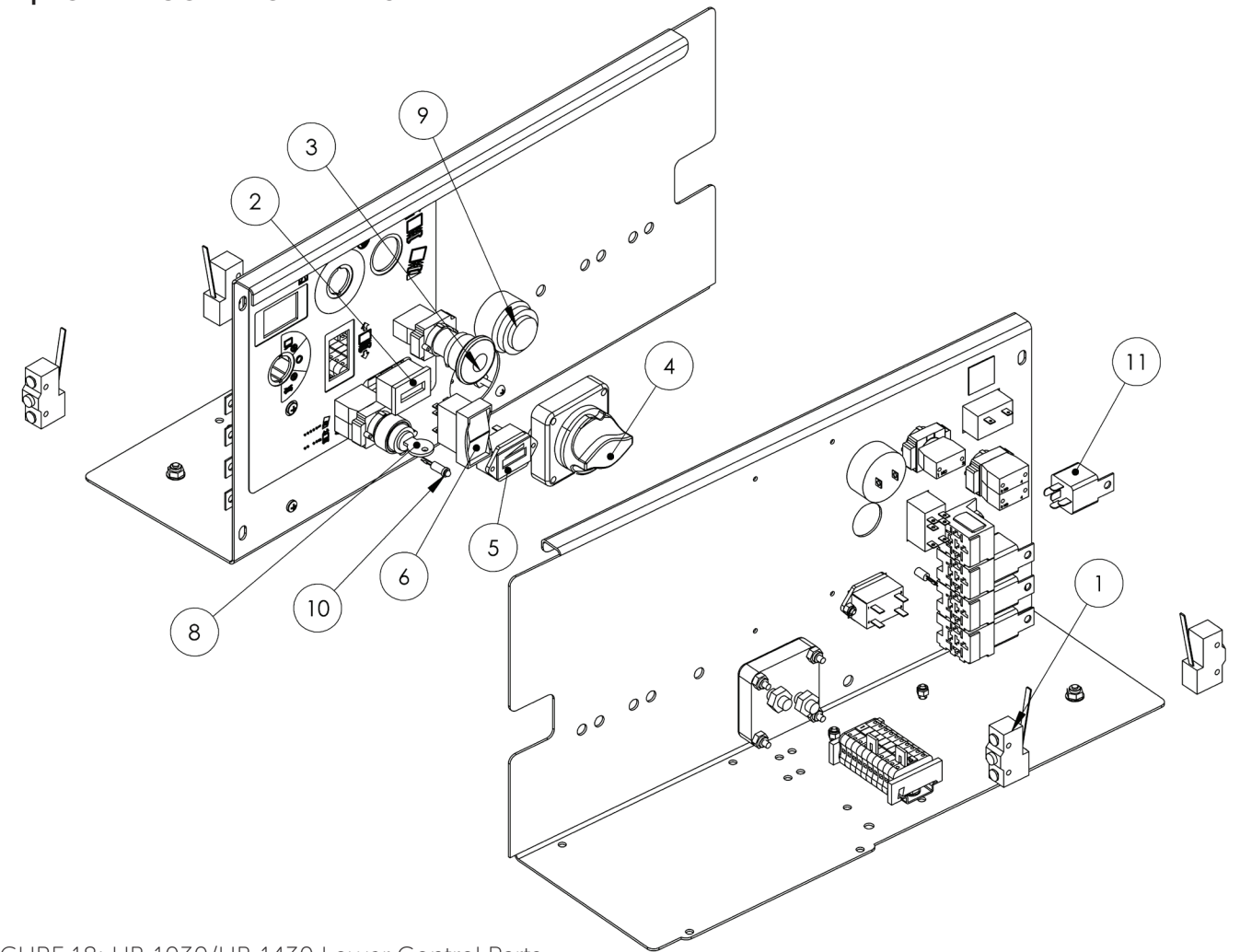


FIGURE 18: HB-1030/HB-1430 Lower Control Parts

Item #	Part Number	Part Description	Notes	Qty	Superseded By
1	ELEC-624	SWITCH,LIMIT STRAIGHT LEVER		2	
2	ELEC-610-2	METER,HOUR		1	
3	ELEC-071-KIT	BUTTON,PUSH/PULL RED E-STOP		1	
4	ELEC-633-4	SWITCH,MASTER DISCONNECT		1	
5	ELEC-610-4	METER,VOLT,24V		1	
6	ELEC-133B	SWITCH,ROCKER DPDT		1	
7	WD-112-21-307-51	WD,HBLG LWR CTL		1	
8	ELEC-073D-KIT	SWITCH,KEY,3-POS MAINTAINED		1	
9	ELEC-635-4	ALARM, CONTINUOUS		1	
10	ELEC-636	LED, RED		1	
11	ELEC-631	RELAY,SPDT,ICE CUBE,24V DC		4	

2.5 | SELECTOR SWITCH SUBPARTS

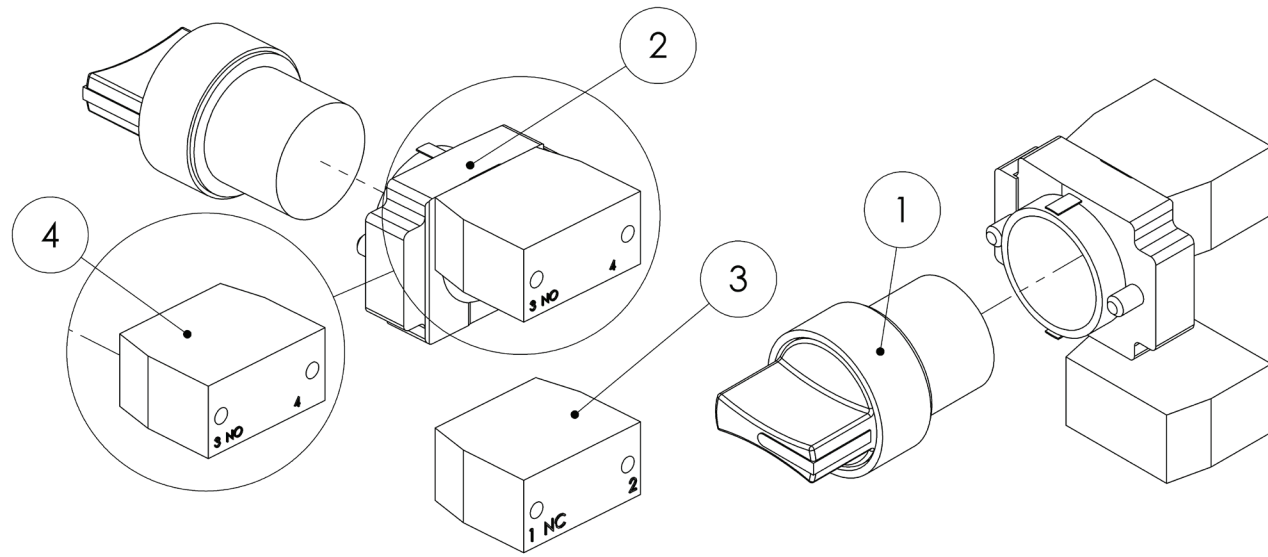


FIGURE 19: HB-1030/HB-1430 Selector Switch Subparts

Item #	Part Number	Part Description	Notes	Qty	Superseded By
1	ELEC-002C	SWITCH,ROTARY,MAINTAINED		1	
2	ELEC-871	CONTACT BLOCK,NO W/BASE		1	
3	ELEC-072	CONTACT BLOCK,NC		1	
4	ELEC-603	CONTACT BLOCK,NO		1	

2.6 | E-STOP SWITCH SUBPARTS

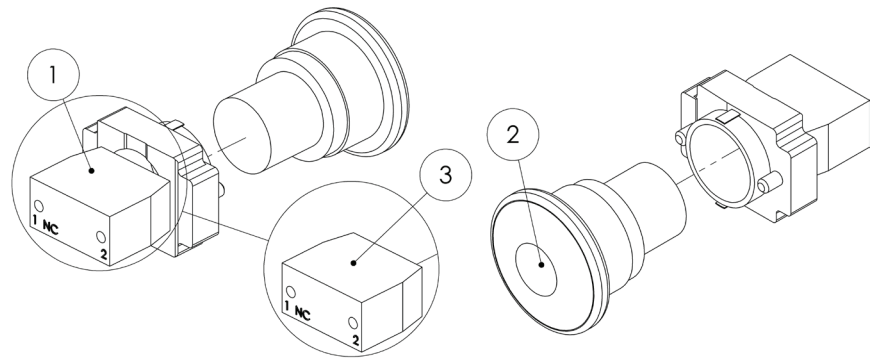


FIGURE 20: HB-1030/HB-1430 E-Stop Switch Subparts

Item #	Part Number	Part Description	Notes	Qty	Superseded By
1	ELEC-872	CONTACT BLOCK,NC W/BASE		1	
2	ELE-071	BUTTON,PUSH/PULL RED E-STOP		1	
3	ELEC-072	CONTACT BLOCK,NC		1	

2.7 | KEY SWITCH SUBPARTS

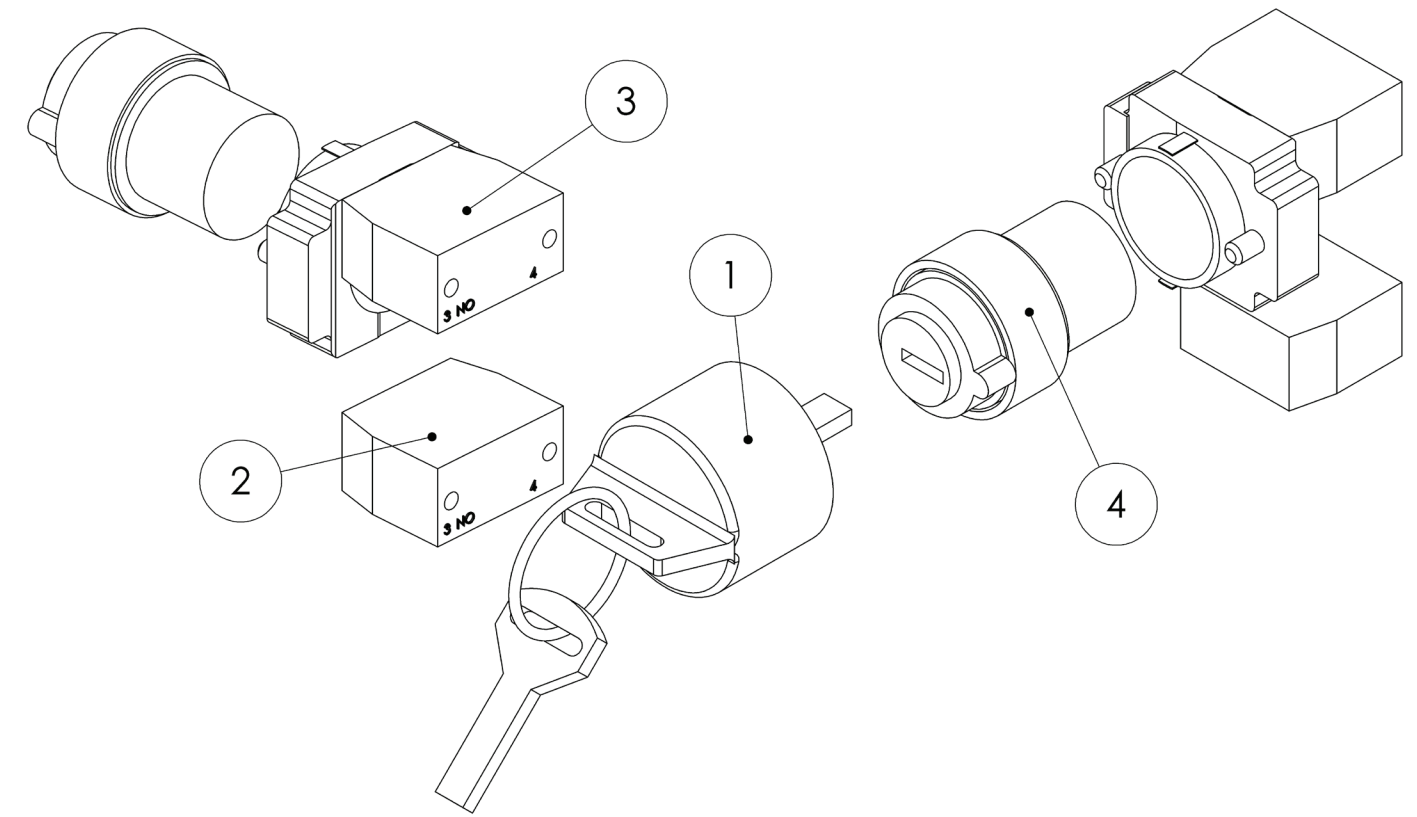


FIGURE 21: HB-1030/HB-1430 Key Switch Subparts

Item #	Part Number	Part Description	Notes	Qty	Superseded By
1	ELEC-073EKEY	KEY,SPARE		1	
2	ELEC-603	CONTACT BLOCK,NO		1	
3	ELEC-871	CONTACT BLOCK,NO W/BASE		1	
4	ELEC-073D	SWITCH,KEY,3-POS MAINTAINED		1	

2.8 | HORN SWITCH PARTS

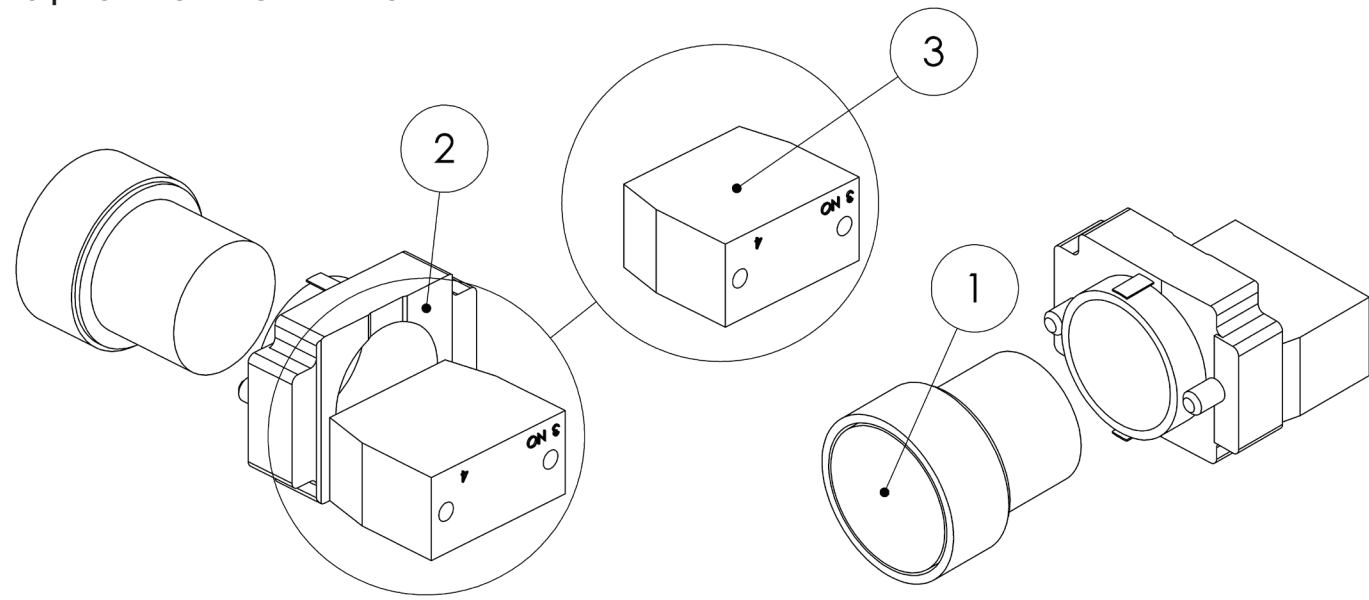


FIGURE 22: Elevate Lower Switch Parts

Item #	Part Number	Part Description	Notes	Qty	Superseded By
1	ELEC-604	BUTTON,PUSH BLACK		1	
2	ELEC-871	CONTACT BLOCK,NO W/BASE		1	
3	ELEC-603	CONTACT BLOCK,NO		1	

2.9 | MASTER POWER SWITCH PARTS

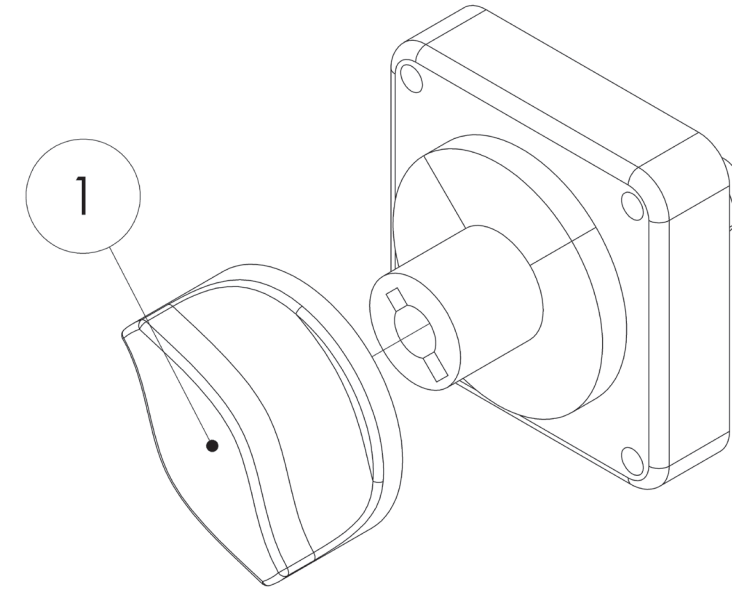
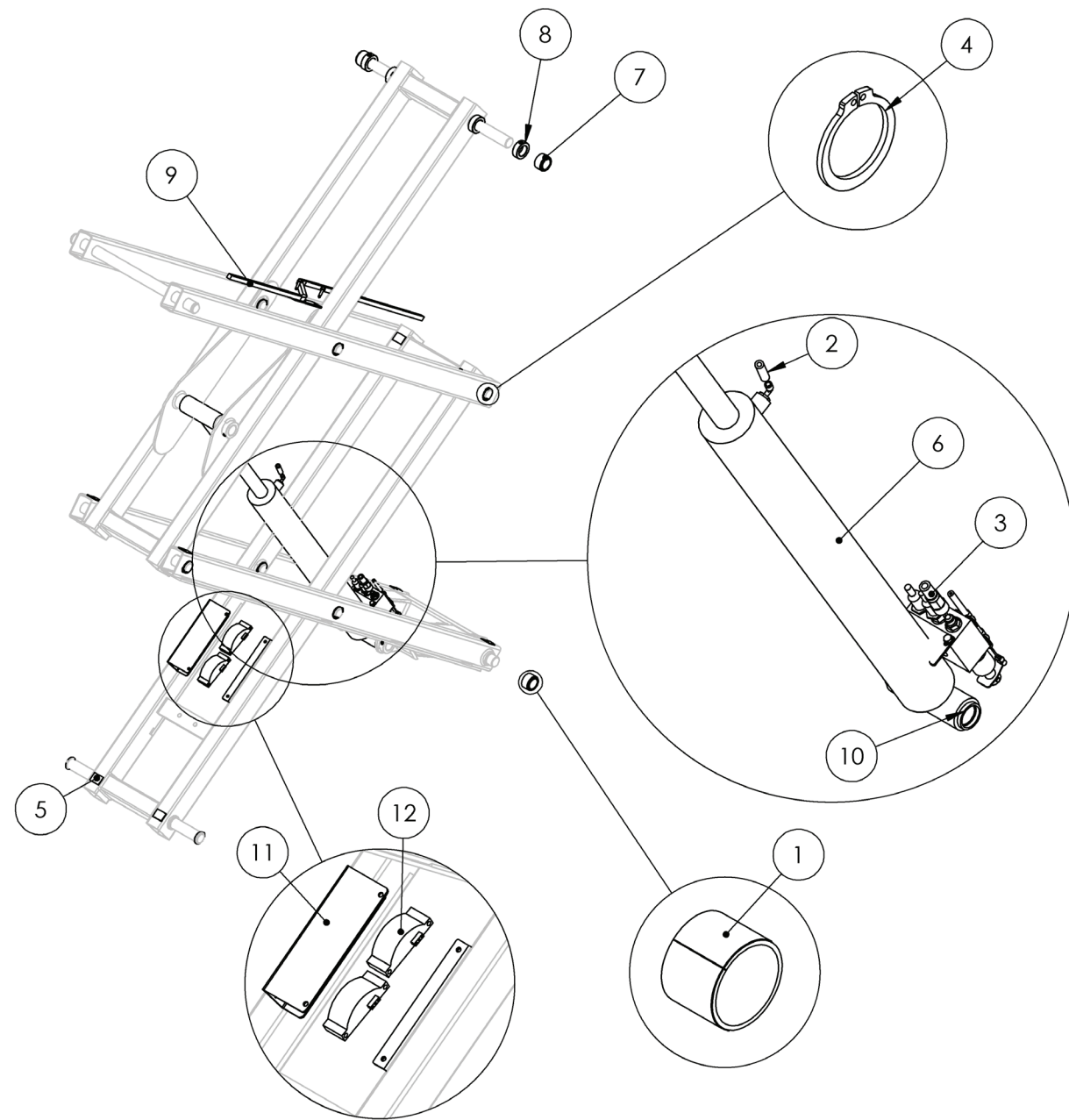


FIGURE 23: Master Power Switch Parts

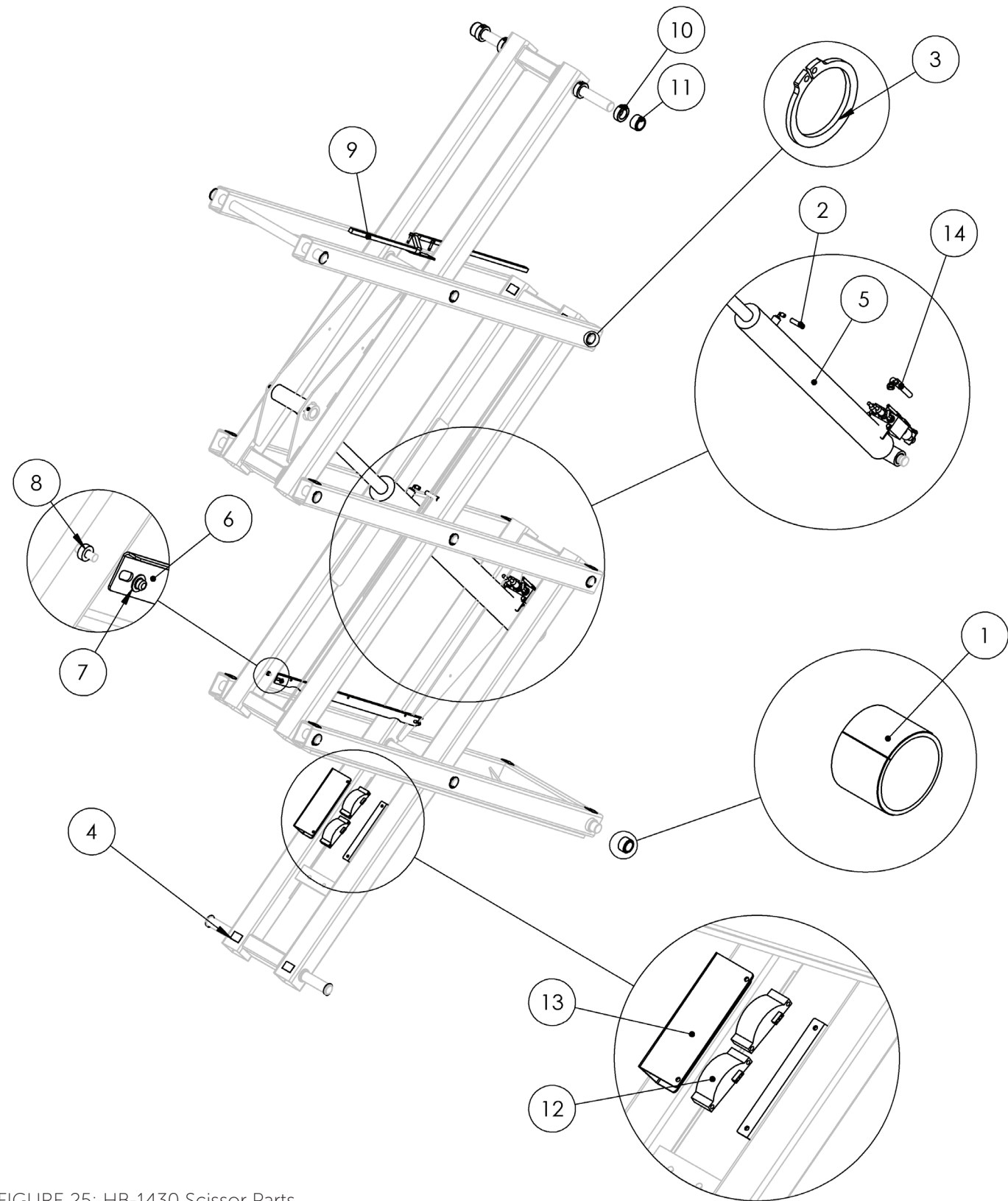
Item #	Part Number	Part Description	Notes	Qty	Superseded By
1	ELEC-633-5	SWITCH KNOB,MASTER DISCONNECT		1	

3.1 | SCISSOR PARTS



Item #	Part Number	Part Description	Notes	Qty	Superseded By
1	HARD-001	DU BEARING, 1.25 ID, 1 LENGTH		1	
2	HYDR-022-3	LOW PRESSURE HOSE	Quantity in inches	102	
3	HYDR-600	HOSE ASM,HB-2X		1	
4	HARD-022	RET RING 1.25		14	
5	MISC-007-01-KIT	1 3/8 MOLDING BOND		8	
6	112-21-316-51	ASM,SCISSOR CYL HB1030CE		1	
7	BM-6006-1-KIT	ASM,ROLLER,1.00 W/DU		4	
8	1021000102	SET COLLAR,1.25 ID		4	
9	112-03-001-01	SCISSOR,CONDUIT UPR		1	
10	BM-1007-EC	BUSHING,SPACER,1.38,0.25		2	
11	129-02-202-01	SCISSOR, ANG SENSOR MNT		1	
12	ELEC-647	SENSOR,ANGLE		2	

FIGURE 24: HB-1030 Scissor Parts



Item #	Part Number	Part Description	Notes	Qty	Superseded By
1	HARD-001	DU BEARING, 1.25 ID, 1 LENGTH		1	
2	HYDR-022-3	LOW PRESSURE HOSE	Quantity in inches	163	
3	HARD-022	RET RING 1.25		20	
4	MISC-007-01-KIT	1 3/8 MOLDING BOND		12	
5	112-21-317-51-K	ASM,SCISSOR CYL HB1430CE		1	
6	LAS-L061-EC	SCISSOR,CONDUIT PARALLEL		1	
7	HARD-656	QUICK NUT-1/4 ROD		2	
8	HARD-636	SPACER,0.25ID,0.5 OD,0.19THK		2	
9	112-03-001-01	SCISSOR,CONDUIT UPR		1	
10	1021000102	SET COLLAR,1.25 ID		4	
11	BM-6006-1-KIT	ASM,ROLLER,1.00 W/DU		4	
12	ELEC-647	SENSOR,ANGLE		2	
13	129-02-202-01	SCISSOR, ANG SENSOR MNT		1	
14	HYDR-600-6	HOSE ASM,PRECUT HB2-3X		1	

FIGURE 25: HB-1430 Scissor Parts

3.2 | CYLINDER SUBPARTS

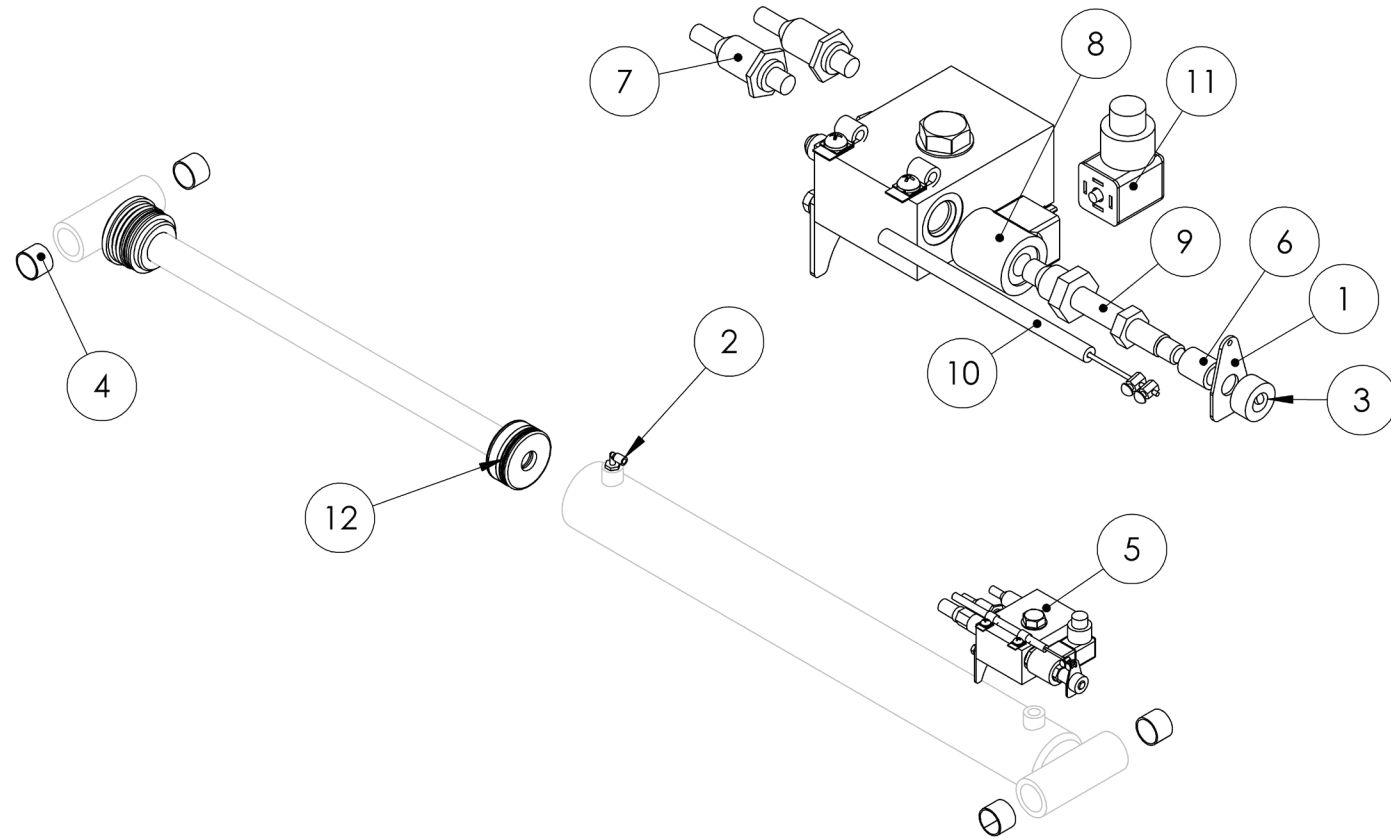


FIGURE 26: HB-1030 Cylinder Subparts

Item #	Part Number	Part Description	Notes	Qty	Superseded By
1	1020202004	SCISSOR,PLATE E-DOWN ACT		1	
2	HYDR-019	FITTING,ELB,NPTM 3/8-1/4 PUSH		1	
3	HARD-650	SET COLLAR 0.44 ID		1	
4	HARD-001	DU BEARING, 1.25 ID, 1 LENGTH		4	
5	112-21-319-53-K	ASM,SCISSOR CYL BLK HB1030CE		1	
6	HARD-621	BUSHING,.44,.63,.750		1	
7	ELEC-648	SENSOR,PRESSURE		2	
8	HYDR-007-2E-4	COIL,24V,HC		1	
9	HYDR-007-2E-5	VALVE,NC,2W/2P,#8,DWN,PULL,DEL		1	
10	HARD-644-01	LOW FRICTION CABLE, 60/70		1	
11	HYDR-044-FL3	HIRSCHMANN CONNECTOR		1	
12	HYDR-007-1K	CYL,SEAL KIT 3.0 B,1.5 R,BES		1	

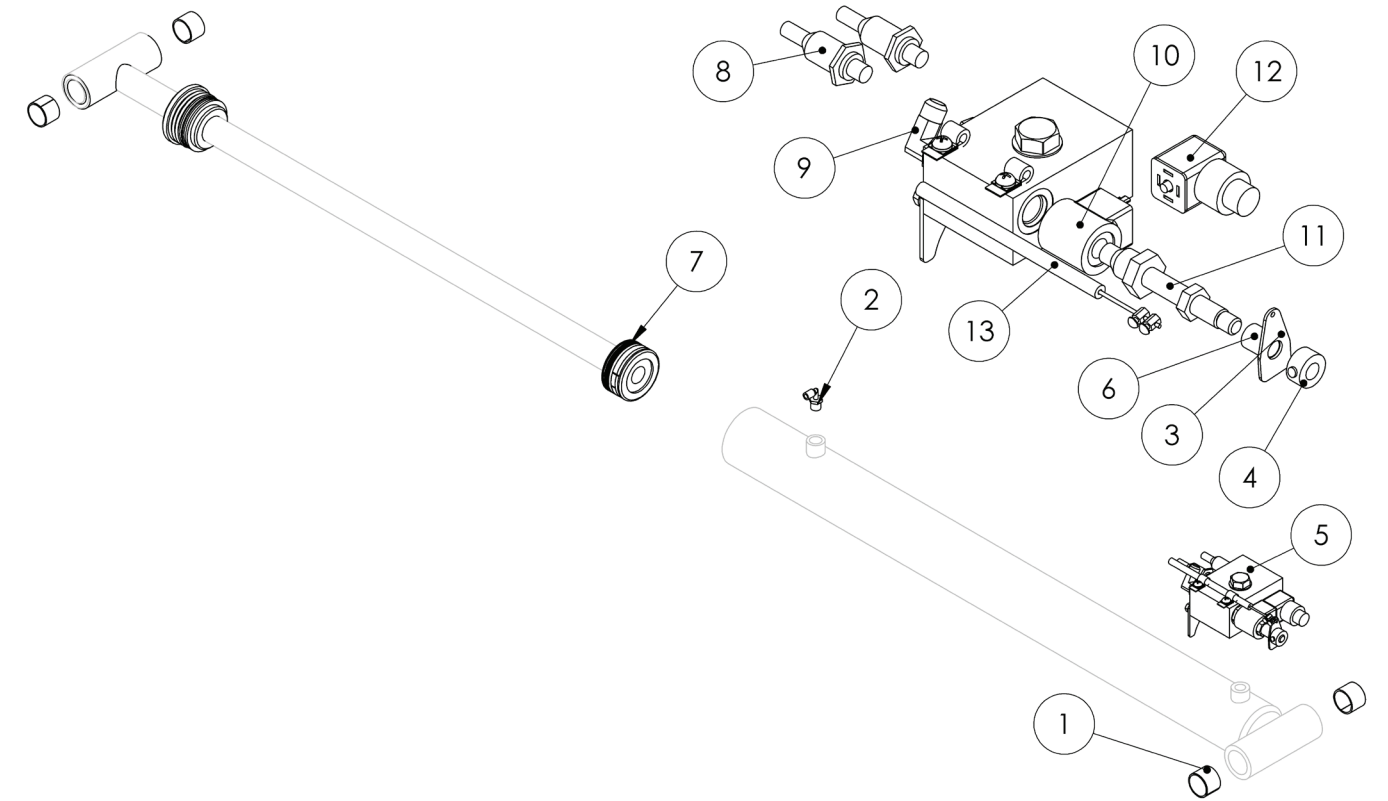


FIGURE 27: HB-1430 Cylinder Subparts

Item #	Part Number	Part Description	Notes	Qty	Superseded By
1	HARD-001	DU BEARING, 1.25 ID, 1 LENGTH		4	
2	HYDR-019	FITTING,ELB,NPTM 3/8-1/4 PUSH		1	
3	1020202004	SCISSOR,PLATE E-DOWN ACT		1	
4	HARD-650	SET COLLAR 0.44 ID		1	
5	112-21-319-51-K	ASM,SCISSOR CYL BLK HB1430CE		1	
6	HARD-621	BUSHING,.44,.63,.750		1	
7	HYDR-041K	CYL,SEAL KIT 3.0 B, 1.5 R		1	
8	ELEC-648	SENSOR,PRESSURE		2	
9	HYDR-035	FITTING,ELB,JICM9/16-SAEORM#6		1	
10	HYDR-007-2E-4	COIL,24V,HC		1	
11	HYDR-007-2E-5	VALVE,NC,2W/2P,#8,DWN,PULL,DEL		1	
12	HYDR-044-FL3	HIRSCHMANN CONNECTOR		1	
13	HARD-644-02	LOW FRICTION CABLE, 60/70		1	

4.1 | PLATFORM & RAILS PARTS

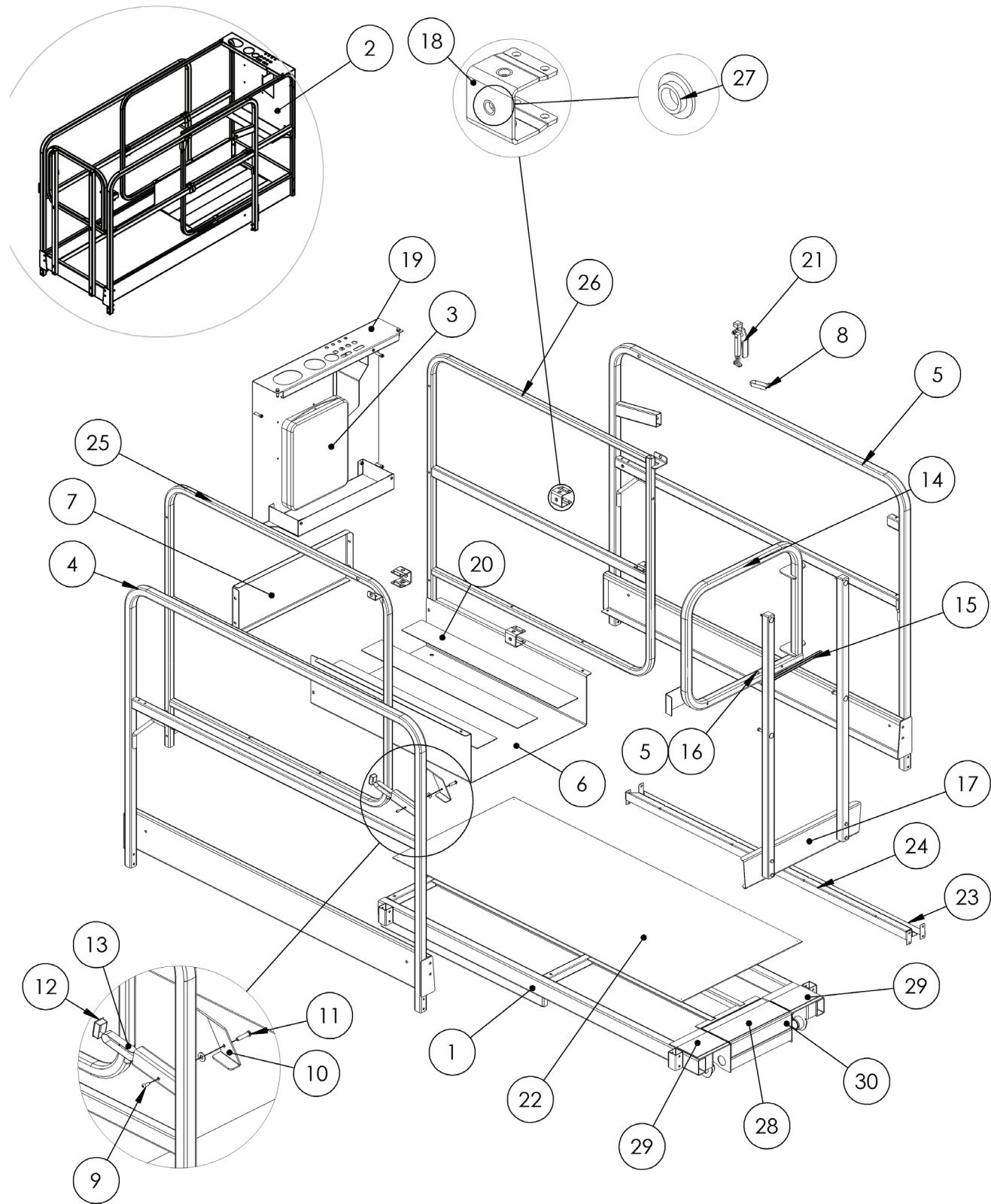
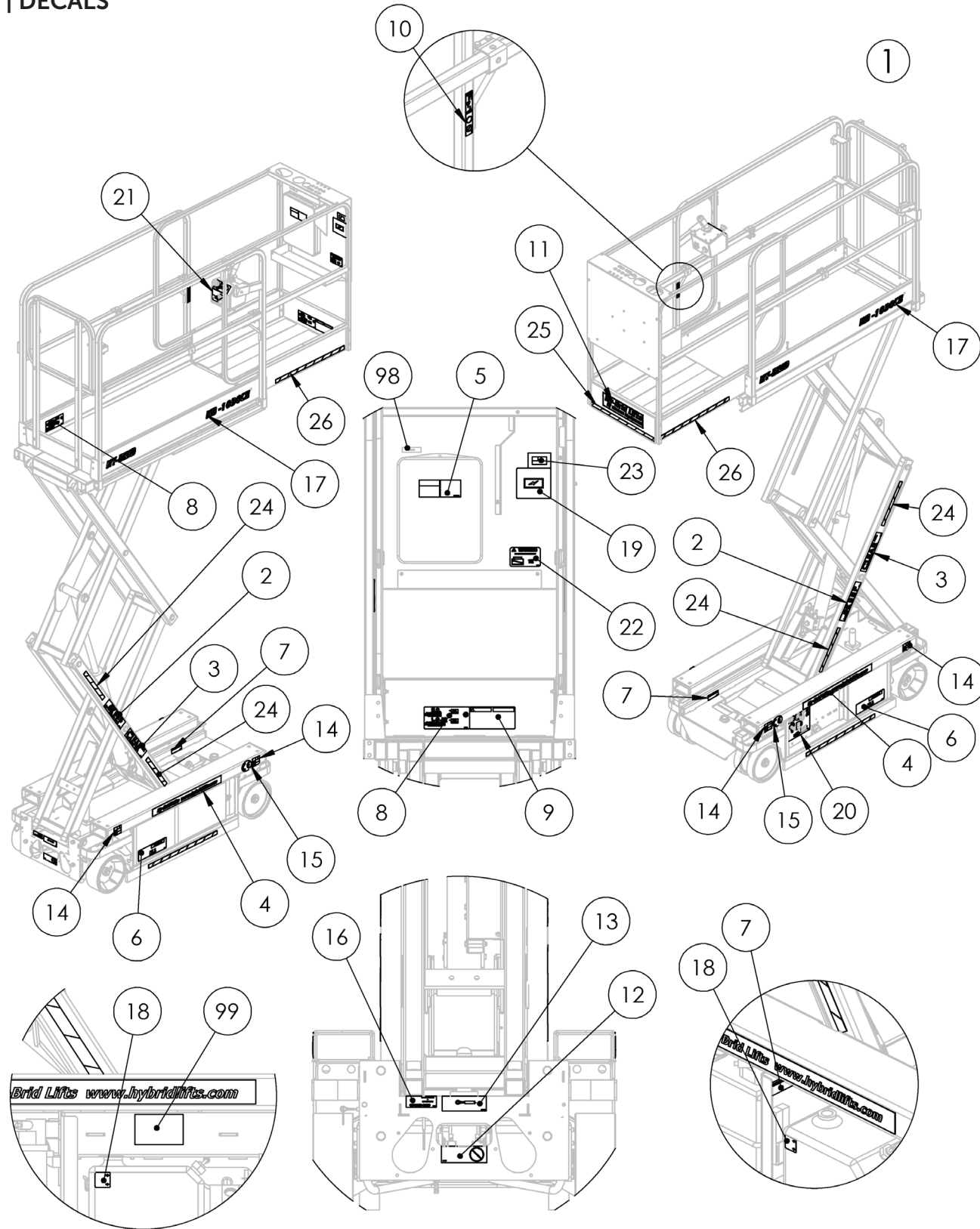


FIGURE 28: HB-1030/1430 Platform & Rail Parts

Item #	Part Number	Part Description	Notes	Qty	Superseded By
1	1020400101	PF,WLDMNT		1	
2	112-21-203-51-K	ASM,RAIL W/SO,RND		1	
3	HARD-603	MANUAL BOX		1	
4	HB-WC-L-01-PC	RAIL,WC L,E (RND)		1	
5	HB-WC-R-03-PC	RAIL,WC R,E (RND)		1	
6	LAS-M134-PC	RAIL,SO FLOOR E		1	
7	LAS-M136-PC	RAIL,SO TOE BOARD E		1	
8	HARD-067	0.38SNAP BUTTON,SINGLE END		1	
9	SCREW-1100	10-24 X 0.50 PAN HEAD SCRW		1	
10	LAS-M089-PC	RAIL,GATE LATCH		1	
11	HARD-649	0.25 X 1.25 BARREL SCRW,10-24		1	
12	HARD-634	PLUG,1.00X1.50,BLACK		1	
13	HARD-066	0.50 SNAP BUTTON,SINGLE END		1	
14	HB-WC-G-01-PC	RAIL,GATE		1	
15	HARD-606-1	0.19X12.5 ORING		1	
16	HARD-649	0.25 X 1.25 BARREL SCRW,10-24		1	
17	1002100691-KIT	ASM,GATE TOE BOARD		1	
18	LAS-M078-1-KIT	ASM,RAIL SLIDE CHNL W/WASHERS		4	
19	112-21-211-50-K	ASM,RAIL TOOL TRAY		1	
20	MISC-031-01-KIT	ANTI-SLIP TAPE,4.00,31.00 LENG		3	
21	1002100692-KIT	ASM,RAIL SLIDE LOCK		1	
22	HB-AL	PF,DECK		1	
23	112-04-010-01	PF,CONDUIT CHANNEL LOWER		1	
24	112-04-011-01	PF,CONDUIT CHANNEL UPPER		1	
25	HB-WC-SO-03L-PC	RAIL,SO L,E (RND)		1	
26	HB-WC-SO-03R-PC	RAIL,SO R,E (RND)		1	
27	HARD-626-3	0.38X0.50C.0.19 SHLD WASH,NYL B		1	
28	MISC-031-02-KIT	ANTI-SLIP TAPE,4.00,12.00 LENG		1	
29	MISC-031-03-KIT	ANTI-SLIP TAPE,4.00,6.00 LENG		2	
30	LAS-M101-E-1-PC	PF,STEP POCKET		1	

5.1 | DECALS



Item #	Part Number	Part Description	Notes	Qty	Superseded By
1	112-21-318-51-K	DECALS,HB-1030CE S3	KIT	1	
2	DE707	DECAL,KEEP		2	
3	DE708	DECAL,CLEAR		2	
4	DE822	DECAL,WEBSITE		2	
5	DE600E-10	DECAL,MANUAL BOX		1	
6	DE709	DECAL, LWR		2	
7	DE600E-14	DECAL,MAINT LOCK		3	
8	DE732	DECAL,CAPACITY,750#,2P,I,W/SO		2	
9	DE706	DECAL,UPR HB		1	
10	DE746	DECAL,LANYARD ATTACHMENT		2	
11	DE821	DECAL,LOGO HY-BRID		1	
12	DE747	DECAL,BRAKE RELEASE/NO TOW		1	
13	DE751	DECAL,E-DOWN CABLE		1	
14	DE735	DECAL,WHL LOAD HB-1030CE S2/3		4	
15	DE718	DECAL,CE		2	
16	DE752	DECAL,CHARGER CORD (EU)		1	
17	DE603-10	DECAL,MODEL HB-1030CE		2	
18	DE679	DECAL,HYDR FLUID		1	
19	DE777	DECAL,BATT CHARGE DAILY		1	
20	DE786	DECAL,CTL LWR HBLGS3-CE		1	
21	DE785	DECAL,CTL UPR HBS3,ACT		1	
22	DE649	DECAL,CAPACITY, TOOL TRAY		1	
23	DE782	DECAL,MADE IN USA		1	
24	DE717-62	DECAL,SAFETY STRIPE (12.00)		4	
25	DE717-63	DECAL,SAFETY STRIPE (22.25)		1	
26	DE717-61	DECAL,SAFETY STRIPE (24.00)		4	
98	N/A	SERIAL NUMBER REFERENCE		0	
99	N/A	SERIAL NUMBER		0	

FIGURE 29: HB-1030 Decals

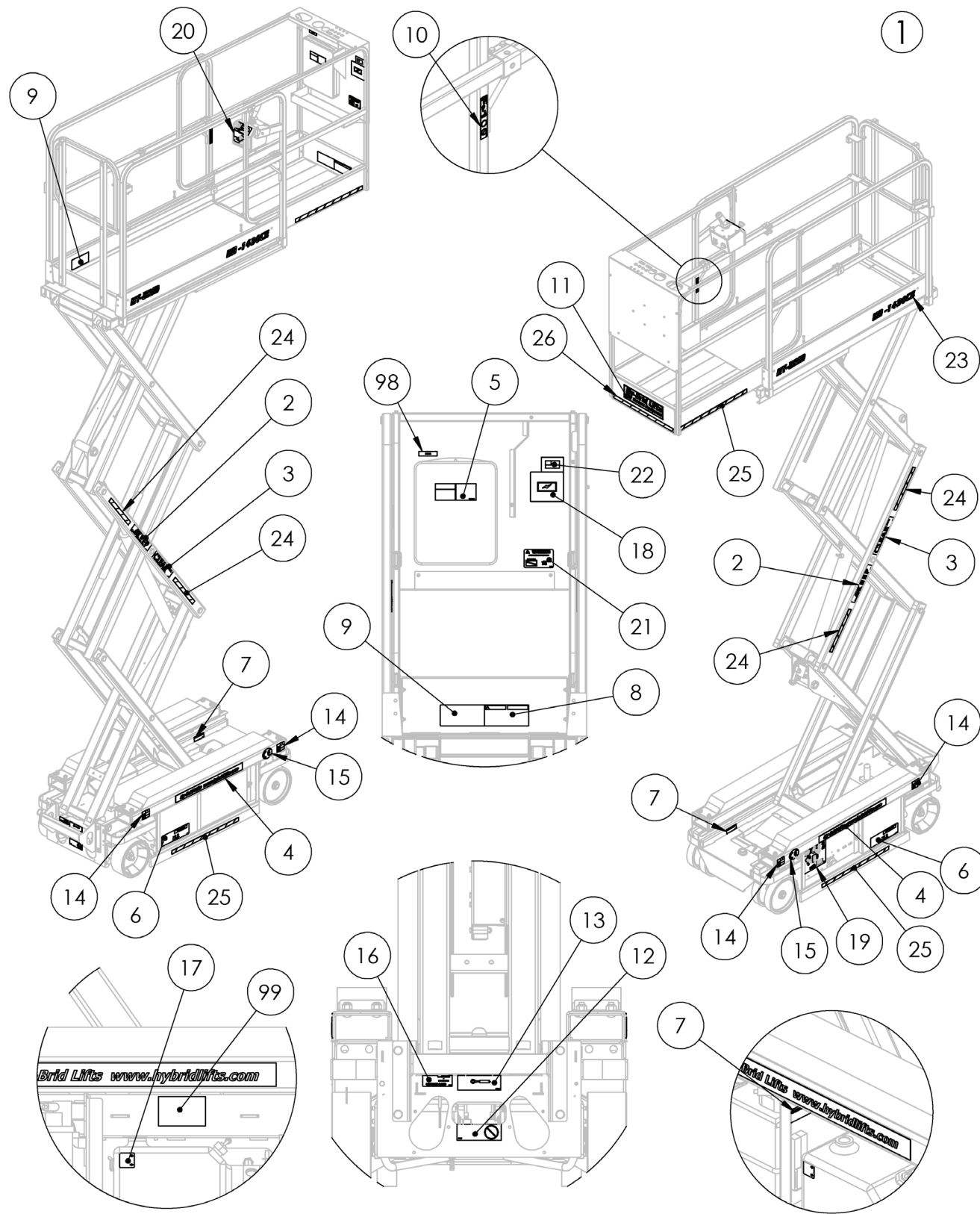
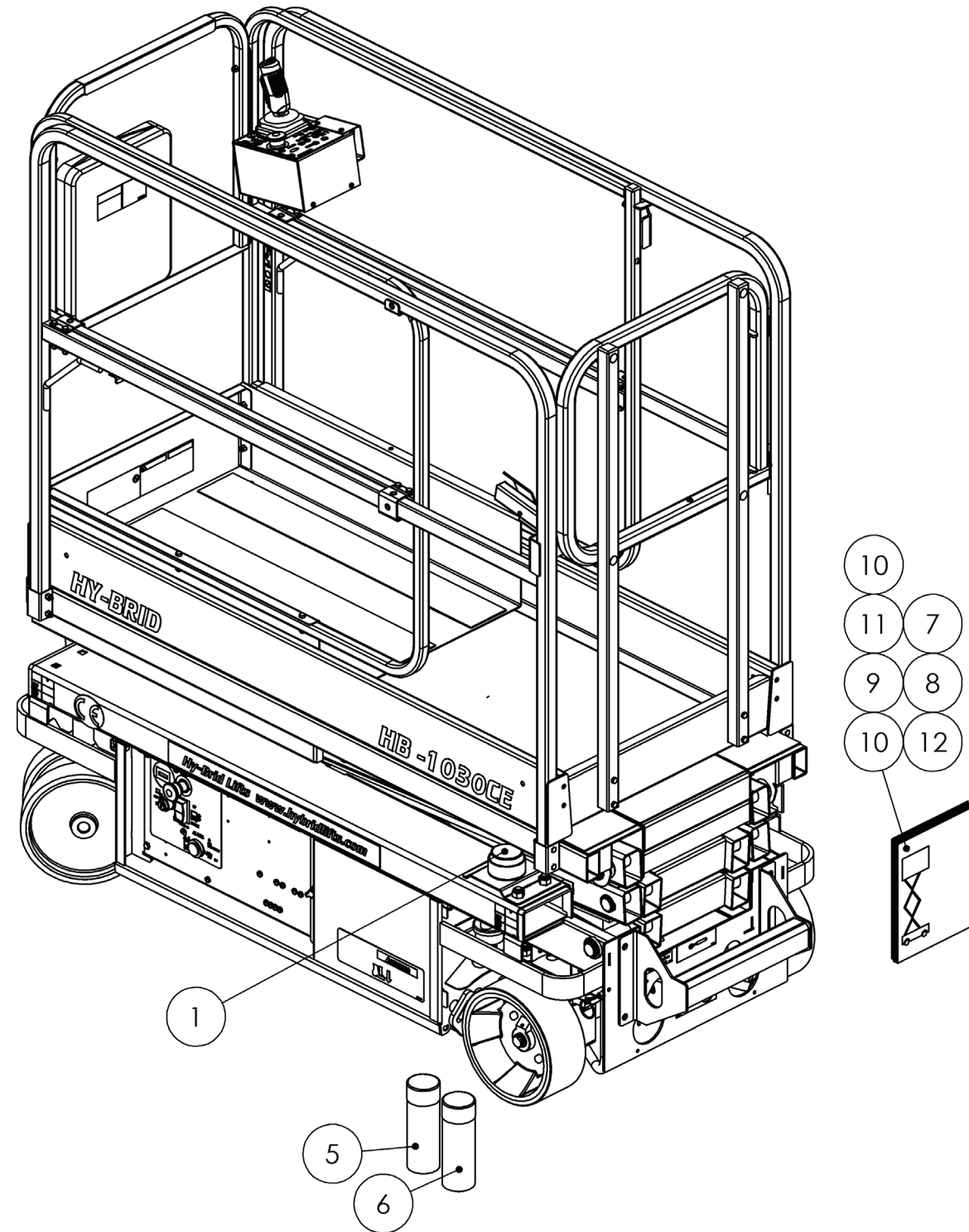


FIGURE 30: HB-1430 Decals

Item #	Part Number	Part Description	Notes	Qty	Superseded By
1	112-21-318-59-K	DECALS,HB-1430CE S3	KIT	1	
2	DE707	DECAL,KEEP		2	
3	DE708	DECAL,CLEAR		2	
4	DE822	DECAL,WEBSITE		2	
5	DE600E-10	DECAL,MANUAL BOX		1	
6	DE709	DECAL, LWR		2	
7	DE600E-14	DECAL,MAINT LOCK		3	
8	DE706	DECAL,UPR HB		1	
9	DE733	DECAL,CAPACITY,670#,2P,I,W/SO		2	
10	DE746	DECAL,LANYARD ATTACHMENT		2	
11	DE821	DECAL,LOGO HY-BRID		1	
12	DE747	DECAL,BRAKE RELEASE/NO TOW		1	
13	DE751	DECAL,E-DOWN CABLE		1	
14	DE736	DECAL,WHL LOAD HB-1430CE S2/3		4	
15	DE718	DECAL,CE		2	
16	DE752	DECAL,CHARGER CORD (EU)		1	
17	DE679	DECAL,HYDR FLUID		1	
18	DE777	DECAL,BATT CHARGE DAILY		1	
19	DE786	DECAL,CTL LWR HBLGS3-CE		1	
20	DE785	DECAL,CTL UPR HBS3,ACT		1	
21	DE649	DECAL,CAPACITY, TOOL TRAY		1	
22	DE782	DECAL,MADE IN USA		1	
23	DE603-10	DECAL,MODEL HB-1430CE		2	
24	DE717-62	DECAL,SAFETY STRIPE (12.00)		4	
25	DE717-61	DECAL,SAFETY STRIPE (24.00)		4	
26	DE717-63	DECAL,SAFETY STRIPE (22.25)		1	
98	N/A	SERIAL NUMBER REFERENCE		0	
99	N/A	SERIAL NUMBER		0	

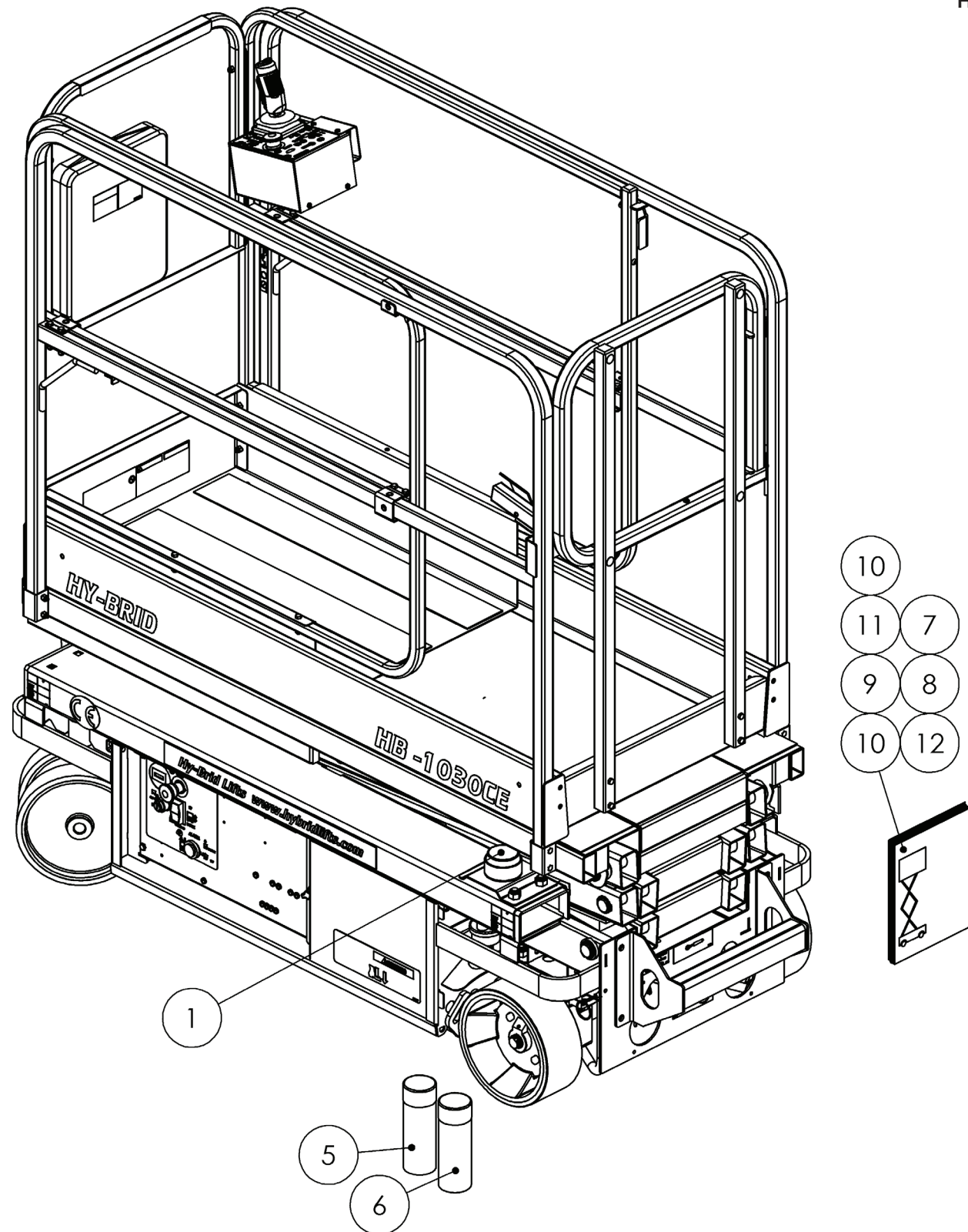
6.1 | OPTIONS & MISCELLANEOUS PARTS



Item #	Part Number	Part Description	Notes	Qty	Superseded By
4	HS-HBCE	HYDR SCH,HBLG CE	HYDRAULIC SCHEMATIC	1	
5	MISC-624	PAINT,WHITE TOUCH-UP SPRAY		1	
6	MISC-625	PAINT,YELLOW TOUCH-UP SPRAY		1	
8	SUPO-607C	DOCUMENT,CE DECL HBLGCE S3		1	
9	SUPO-713	MANUAL,OP,HBLGCE S3		1	
10	SUPO-714	MANUAL,MAINT,HBLGCE S3		1	
12	SUPO-715	MANUAL,PARTS HB-1030/1430CE S3		1	

FIGURE 31: HB-1030 Options & Miscellaneous Parts

HB-1430



Item #	Part Number	Part Description	Notes	Qty	Superseded By
4	HS-HBCE	HYDR SCH,HBLG CE	HYDRAULIC SCHEMATIC	1	
5	MISC-624	PAINT,WHITE TOUCH-UP SPRAY		1	
6	MISC-625	PAINT,YELLOW TOUCH-UP SPRAY		1	
8	SUPO-607C	DOCUMENT,CE DECL HBLGCE S3		1	
9	SUPO-713	MANUAL,OP,HBLGCE S3		1	
10	SUPO-714	MANUAL,MAINT,HBLGCE S3		1	
12	SUPO-715	MANUAL,PARTS HB-1030/1430CE S3		1	

FIGURE 32: HB-1430 Options & Miscellaneous Parts

HY-BRID LIFTS™

BY CUSTOM EQUIPMENT LLC

Self-Propelled Aerial Work Platform
Parts Manual
HB-1030CE/HB-1430CE

© 2017 Custom Equipment, LLC
2647 Highway 175
Richfield, WI 53076
U.S.A.
Tel. +1-262-644-1300
Fax: +1-262-644-1320
www.hybridlifts.com
Service@Customequipmentlifts.com

"Hy-Brid Lifts" is a trademark of Custom Equipment, LLC
These machines comply with specified EN280 requirements

Revision Date: September 2019

Printed In The USA