

HY-BRID LIFTS™

BY CUSTOM EQUIPMENT LLC

PARTS MANUAL

SELF-PROPELLED AERIAL WORK PLATFORM

SUPO-690

REV B



HB-1030

HB-1430

SERIES I

Model HB-1030 Serial # Ranges:

52251-53381

54000-54621

C5200-C53021

Model HB-1430 Serial # Ranges:

6200-6999

72001-74000

D02-10014 - D02-10020

TABLE OF CONTENTS

NOTES.....	2
FOREWORD	3
TABLE OF CONTENTS	4
INDEX OF FIGURES.....	5
SECTION 1 BASE	6
1.1 POTHOLE GUARD PARTS.....	6
1.2 STEER PARTS.....	8
1.3 STEER ACTUATOR SUBPARTS.....	10
1.4 CENTER STEER SUBPARTS.....	11
1.5 CASTER SUBPARTS	12
1.6 DRIVE PARTS.....	14
1.7 DRIVE SUBPARTS	18
1.8 PUMP PARTS.....	22
1.9 CONTROL/ELECTRICAL PARTS.....	30
SECTION 2 CONTROLS	34
2.1 UPPER CONTROL SUBPARTS	34
2.2 JOYSTICK SUBPARTS.....	36
2.3 MAIN CABLE SUBPARTS.....	37
2.4 LOWER CONTROL SUBPARTS.....	38
2.5 KEY SWITCH SUBPARTS	41
SECTION 3 SCISSORS	42
3.1 SCISSOR PARTS.....	42
3.2 CYLINDER SUBPARTS	44
SECTION 4 PLATFORM & RAILS.....	46
4.1 PLATFORM & RAIL PARTS.....	46
SECTION 5 DECALS.....	50
5.1 DECALS.....	50
SECTION 6 OPTIONS & MISCELLANEOUS	56
6.1 OPTIONS & MISCELLANEOUS.....	56

INDEX OF FIGURES

FIGURE 1: HB-1030 Pothole Guard Parts.....	6
FIGURE 2: HB-1430 Pothole Guard Parts	7
FIGURE 3: HB-1030 Steer Parts	8
FIGURE 4: HB-1430 Steer Parts	9
FIGURE 5: HB-1030/1430 Steer Actuator Subparts.....	10
FIGURE 6: HB-1030 Center Steer Subparts.....	11
FIGURE 7: HB-1430 Center Steer Subparts	11
FIGURE 8: HB-1030 Caster Subparts	12
FIGURE 9: HB-1030 Front Wheel Subparts.....	12
FIGURE 10: HB-1430 Caster Subparts.....	13
FIGURE 11: HB-1430 Front Wheel Subparts	13
FIGURE 12: HB-1030 Drive Parts	14
FIGURE 13: HB-1430 Drive Parts	16
FIGURE 14: HB-1030 Drive Subparts.....	18
FIGURE 15: HB-1030 Drive Brake Subparts	19
FIGURE 16: HB-1430 Drive Subparts.....	20
FIGURE 17: HB-1430 Drive Brake Subparts.....	21
FIGURE 18: HB-1030 Pump Parts	22
FIGURE 19: HB-1430 Pump Parts.....	23
FIGURE 20: HB-1030/1430 Pump Parts.....	24
FIGURE 21: HB-1030 Base Misc Parts	26
FIGURE 22: HB-1430 Base Misc Parts.....	28
FIGURE 23: HB-1030 Ctl/Elec Parts	30
FIGURE 24: HB-1430 Ctl/Elec Parts.....	32
FIGURE 25: Upper Control Subparts.....	34
FIGURE 26: Joystick Subparts.....	36
FIGURE 27: Main Cable Subparts	37
FIGURE 28: HB-1030 Lower Control Subparts.....	38
FIGURE 29: HB-1430 Lower Control Subparts.....	40
FIGURE 30: Key Switch Subparts	41
FIGURE 31: HB-1030 Scissors Parts.....	42
FIGURE 32: HB-1430 Scissors Parts.....	43
FIGURE 33: HB-1030 Cylinder Sub Parts.....	44
FIGURE 34: HB-1430 Cylinder Sub Parts.....	45
FIGURE 35: Platform & Railing Parts, HB-1030.....	46
FIGURE 36: Platform & Railing Parts, HB-1430.....	48
FIGURE 37: Decals,HB-1030.....	50
FIGURE 38: Decals,HB-1430	53
FIGURE 39: Options & Misc, HB-1030.....	56
FIGURE 40: Options & Misc, HB-1430.....	58

1.1 | POTHOLE GUARD PARTS

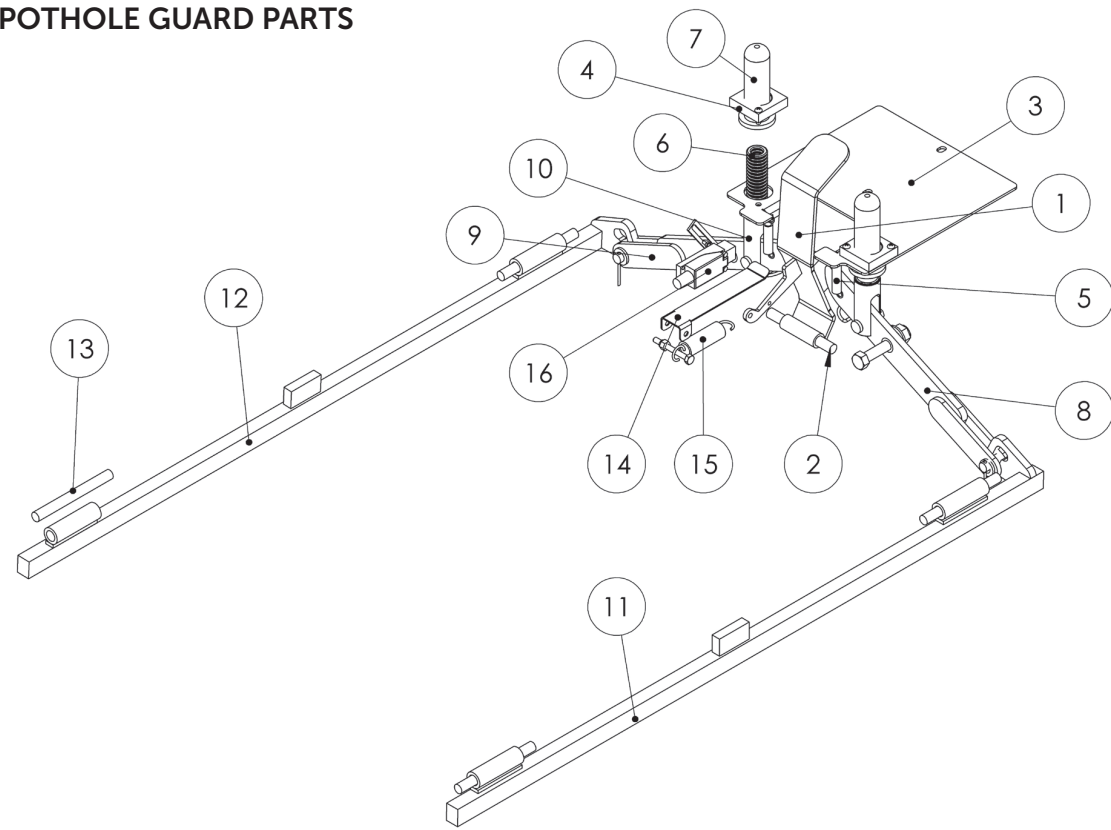


FIGURE 1: HB-1030 Pothole Guard Parts

Item #	Part Number	Part Description	Notes	Qty	Superseded By
1	HB-PH-5-PC	BASE,PH LOCK (1.0 PH BARS)	54000-54999;C52000-C53021	1	
2	RND-HB-003-P	PIN,HINGE,0.50,4.3	54000-54999;C52000-C53021	1	
3	LAS-M059-PC	BASE,PH MNT PLATE	54000-54999;C52000-C53021	1	
4	HB-PH-12	GUIDE BLOCK	54000-54999;C52000-C53021	2	
5	HARD-648	SPRING,EXT 2.25 X 0.44	54000-54999;C52000-C53021	4	
6	HARD-647	SPRING,COMP,3 X 1 DIE	54000-54999;C52000-C53021	2	
7	HB-PH-11	BASE,PH RET SLEEVE	54000-54999;C52000-C53021	2	
8	HB-PH-1-P	PH ARM WELDMENT-PLATED	54000-54999;C52000-C53021	1	
9	HB-PH-1-P	PH ARM WELDMENT-PLATED	54000-54999;C52000-C53021	1	
10	HB-PH-10	BASE,PH ARM CLEVIS	54000-54999;C52000-C53021	1	
11	HB-PH-4-L-PC	BASE,PH BAR L (HB1 8 WHL)	54000-54999;C52000-C53021	1	
12	HB-PH-4-R-PC	BASE,PH BAR R (HB1 8 WHL)	54000-54999;C52000-C53021	1	
13	RND-HB-002-P	PIN,HINGE,0.50,5.0	54000-54999;C52000-C53021	4	
14	LAS-L043	BASE,SWITCH CHANNEL	54000-54999;C52000-C53021	1	
15	HARD-642	SPRING,EXT 4 X 0.84	54000-54999;C52000-C53021	1	
16	ELEC-123-KIT	SWITCH,LIMIT,ADJ ROLL LEVER	54000-54999;C52000-C53021	1	

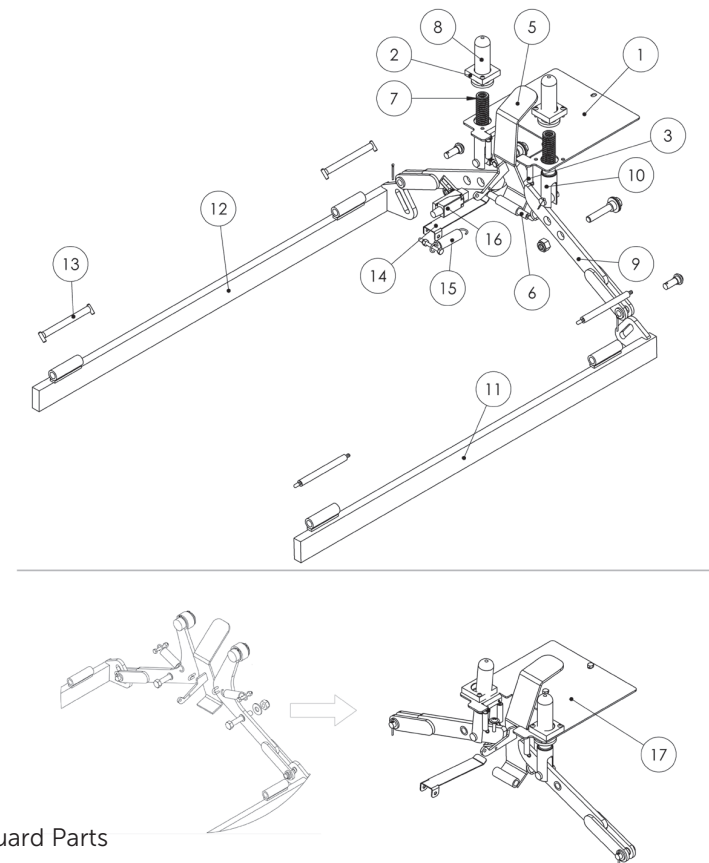


FIGURE 2: HB-1430 Pothole Guard Parts

Item #	Part Number	Part Description	Notes	Qty	Superseded By
1	LAS-M059-PC	BASE,PH MNT PLATE		1	
2	HB-PH-12	GUIDE BLOCK		2	
3	HARD-648	SPRING,EXT 2.25 X 0.44		4	
4	MISC-007-03	1 3/8 MOLDING BOND,1/2 IN.		2	
5	HB-PH-3-PC	BASE,PH LOCK		1	
6	RND-HB-003-P	PIN,HINGE,0.50,4.3		1	
7	HARD-647	SPRING,COMP,3 X 1 DIE		2	
8	HB-PH-11	BASE,PH RET SLEEVE		2	
9	HB-PH-1-P	PH ARM WELDMENT-PLATED		2	
10	HB-PH-10	BASE,PH ARM CLEVIS		2	
11	HB-PH-2-L-PC	BASE,PH BAR L (HB1 10 WHL)		1	
12	HB-PH-2-R-PC	BASE,PH BAR R (HB1 10 WHL)		1	
13	RND-HB-002-P	PIN,HINGE,0.50,5.0		4	
14	LAS-L043	BASE,SWITCH CHANNEL		1	
15	HARD-642	SPRING,EXT 4 X 0.84		1	
16	ELEC-123-KIT	SWITCH,LIMIT,ADJ ROLL LEVER		1	
17	SUB A16-KIT	ASM,PH ARM RETRO,SUB A15-16	Retrofit Kit, SUB A15 to 16	1	

1.2 | STEER PARTS

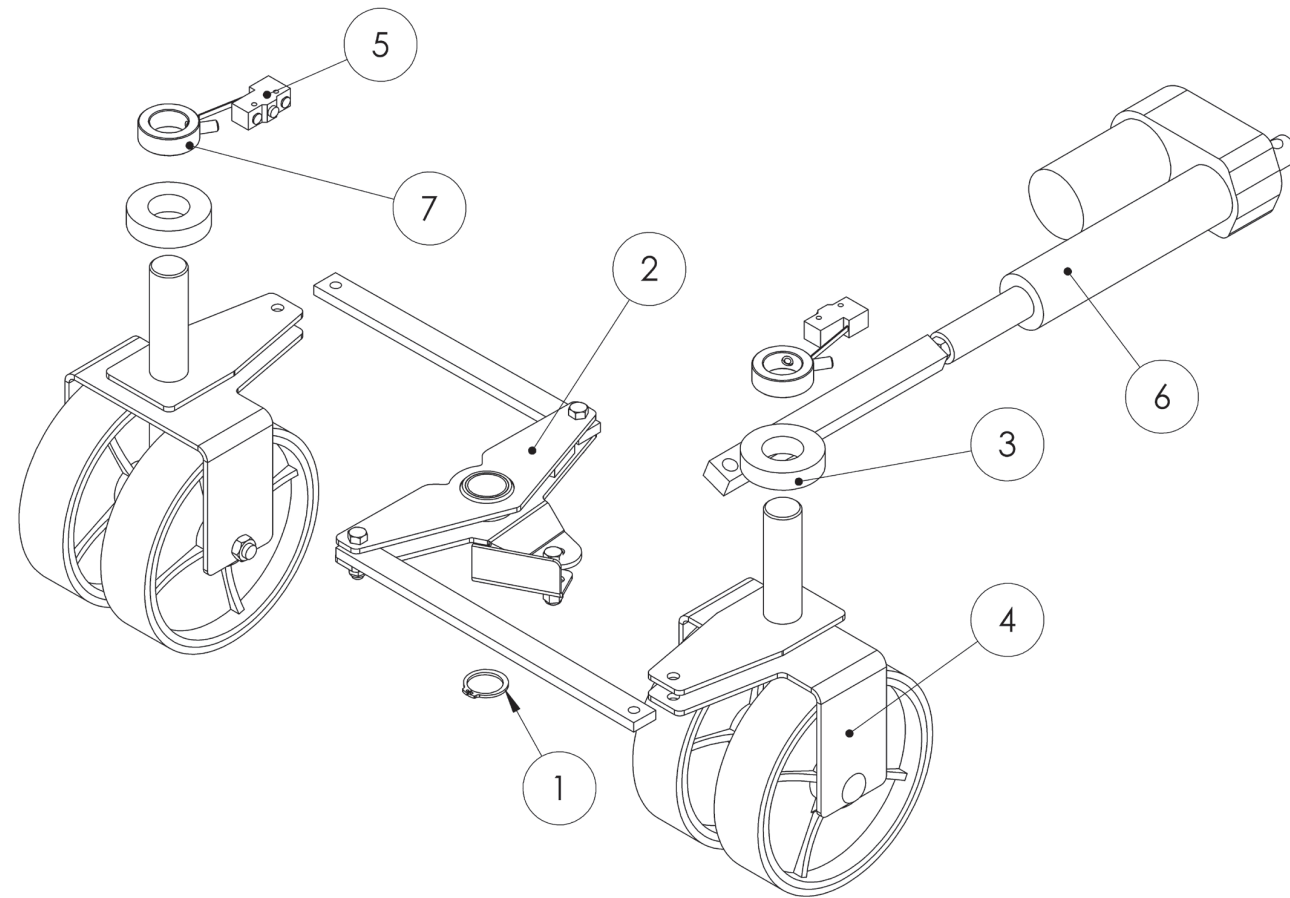


FIGURE 3: HB-1030 Steer Parts

Item #	Part Number	Part Description	Notes	Qty	Superseded By
1	HARD-022	RET RING 1.25		1	
2	SUB A2	ASM,BASE CENTER STR,8.0 WHL S1		1	
3	HARD-615	THRUST BEARING,0.69 THK,UHMW		2	
4	SUB A3	ASM,BASE CASTER 8.0 WHL,S1		2	
5	ELEC-624	SWITCH,LIMIT STRAIGHT LEVER		2	
6	SUB A1-KIT	ASM,BASE STEER ACT		1	
7	1021000102	SET COLLAR,1.25 ID		2	

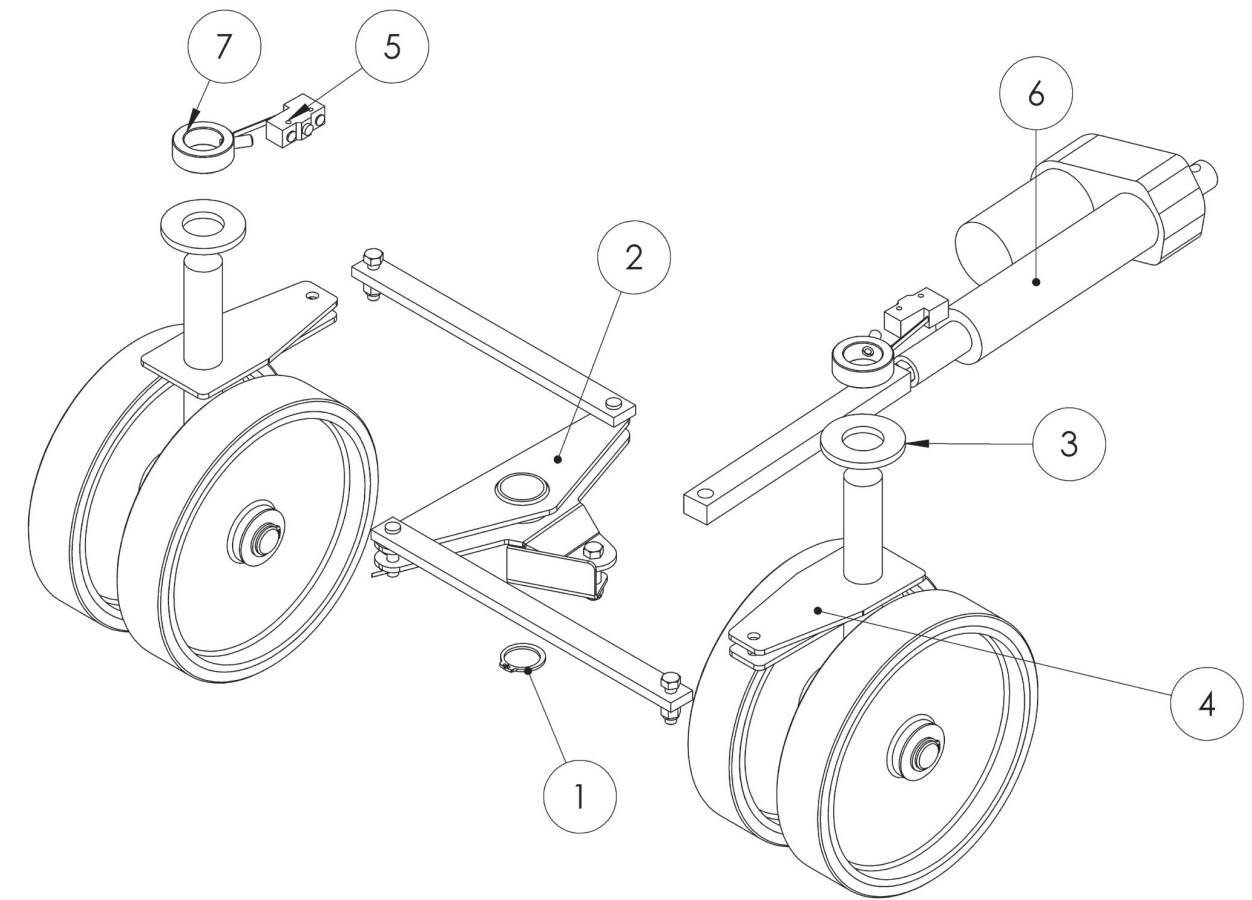


FIGURE 4: HB-1430 Steer Parts

Item #	Part Number	Part Description	Notes	Qty	Superseded By
1	HARD-022	RET RING 1.25		1	
2	SUB A2-A	ASM,BASE CENTER STEER HBLG S1		1	
3	HARD-615-1	THRUST BEARING,0.25THK,UHMW		2	
4	SUB A3-1	ASM,BASE CASTERS 10 WHL		2	
5	ELEC-624	SWITCH,LIMIT STRAIGHT LEVER		2	
6	SUB A1-KIT	ASM,BASE STEER ACT		1	
7	1021000102	SET COLLAR,1.25 ID		2	

1.3 | STEER ACTUATOR SUBPARTS

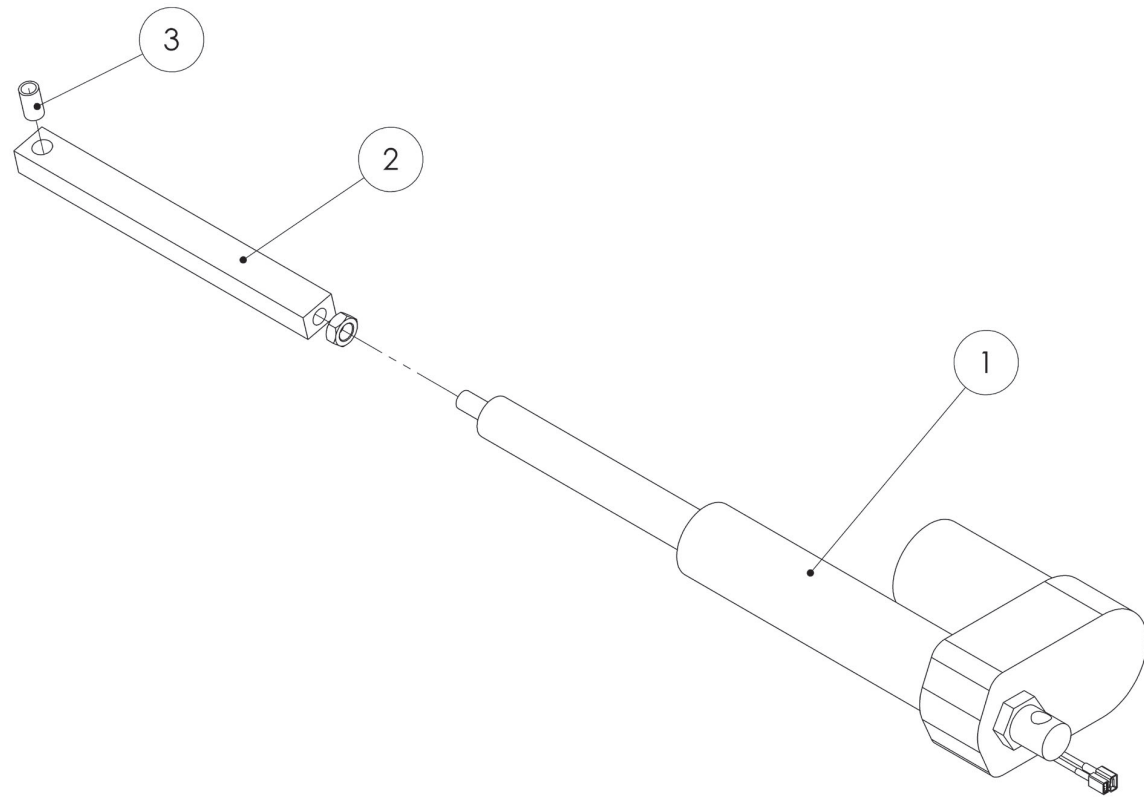


FIGURE 5: HB-1030/1430 Steer Actuator Subparts

STEER ACTUATOR SUBPARTS, HB-1030

Item #	Part Number	Part Description	Notes	Qty	Superseded By
1	ELEC-650	ACTUATOR,LINEAR		1	
2	HB-ST-DN-P	BASE,STEER ACT EXT HBLG S1		1	
3	HARD-620	BUSHING,0.38,0.50,0.88		1	

STEER ACTUATOR SUBPARTS, HB-1430

Item #	Part Number	Part Description	Notes	Qty	Superseded By
1	ELEC-650	ACTUATOR,LINEAR		1	
2	HB-ST-DN-P	BASE,STEER ACT EXT HBLG S1		1	
3	HARD-620	BUSHING,0.38,0.50,0.88		1	

1.4 | CENTER STEER SUBPARTS

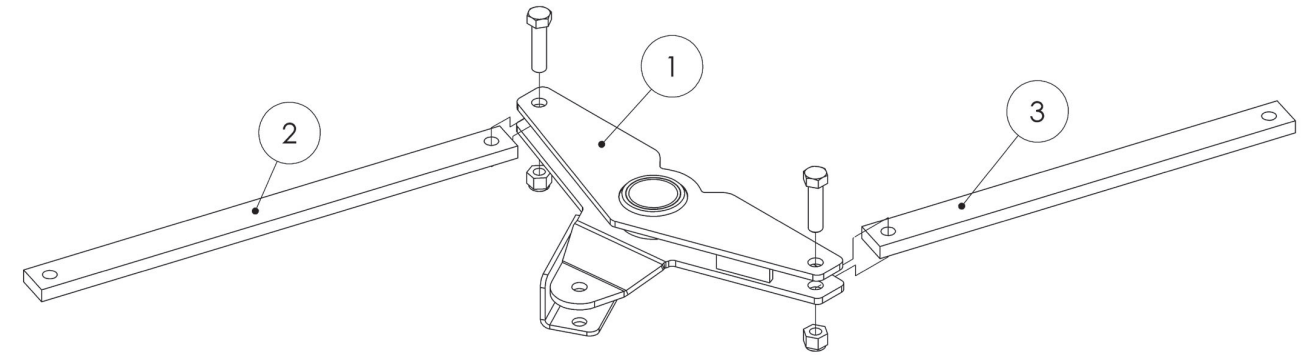


FIGURE 6: HB-1030 Center Steer Subparts

Item #	Part Number	Part Description	Notes	Qty	Superseded By
1	HB-ST-4-KIT	BASE,STEER WLDMNT,HB-1030 S1	Separate Reinforcements	1	
2	HB-ST-2-A-P	BASE,TIE ROD LONG		1	
3	HB-ST-3-A-P	BASE,TIE ROD SHORT		1	

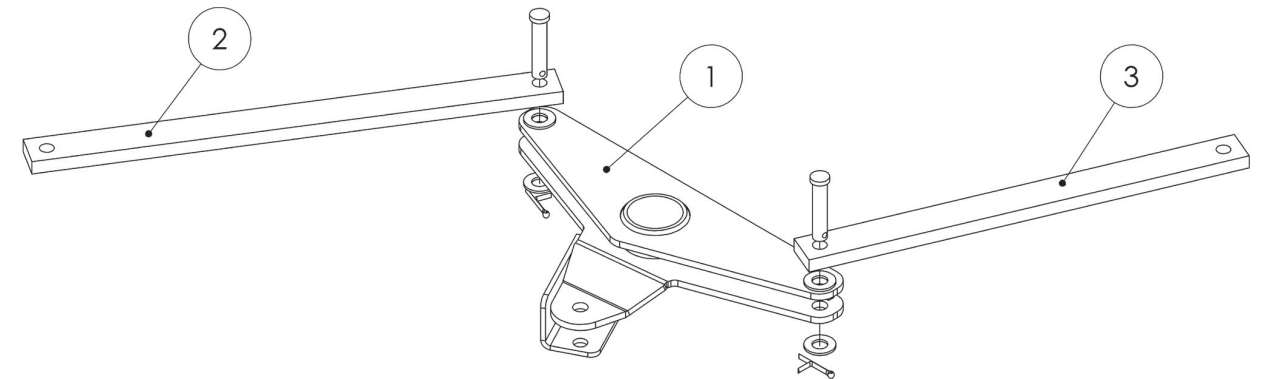


FIGURE 7: HB-1430 Center Steer Subparts

Item #	Part Number	Part Description	Notes	Qty	Superseded By
1	HB-ST-4-PC-KIT	BASE,STEER WLDMNT,HB-1430 S1	Reinforcement all the way across	1	
2	HB-ST-2-A-P	BASE,TIE ROD LONG		1	
3	HB-ST-3-A-P	BASE,TIE ROD SHORT		1	

1.5 | CASTER SUBPARTS

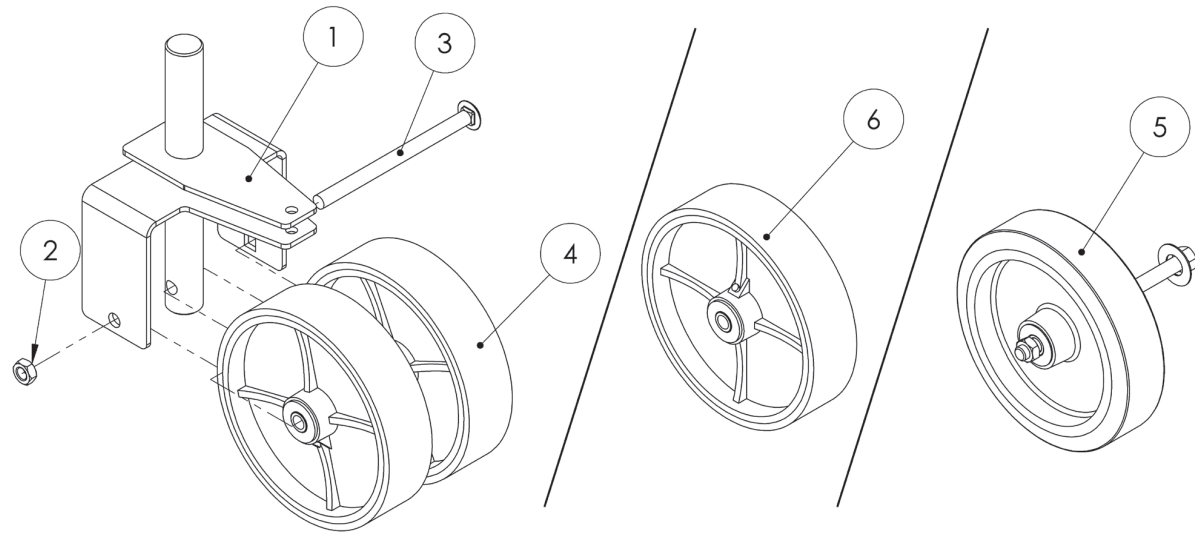


FIGURE 8: HB-1030 Caster Subparts

Item #	Part Number	Part Description	Notes	Qty	Superseded By
1	PB-0014-P	BASE,CASTER FRONT HBLG S1		1	
2	NUTS-5045	1/2-13 CRIMP NUT		1	
3	BOLT-5020-M	1/2-13 X 7.0 CB-SHORT NECK		1	
4	WHEEL-608	WHL,8X2 GREY UR, RB .5 AXLE	Color may vary	2	
5	WHEEL-601-KIT	WHL,8X2 GREY NM RB 0.5 AXLE	52251-53381	1	
6	WHEEL-004-1	WHL,8X2 RED UR,RB 0.5 AXLE	Superseded; Obsolete	1	WHEEL-608

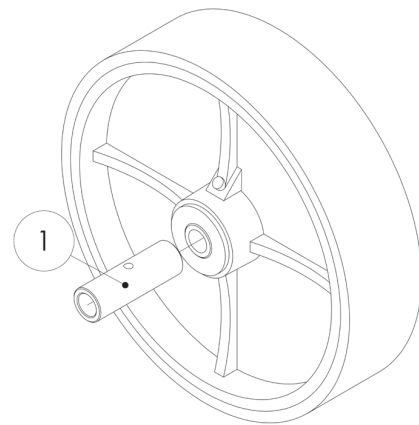


FIGURE 9: HB-1030 Front Wheel Subparts

Item #	Part Number	Part Description	Notes	Qty	Superseded By
1	WHEEL-602	SPANNER BUSH,.5ID .75OD 2.31 L		1	

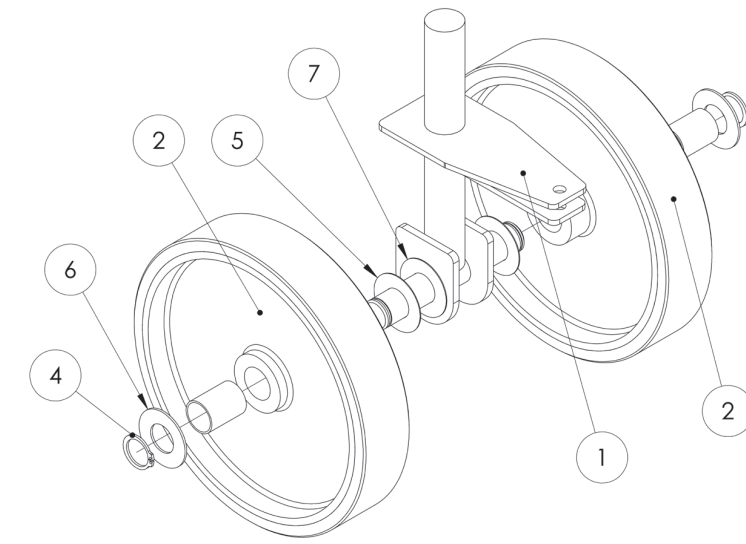


FIGURE 10: HB-1430 Caster Subparts

Item #	Part Number	Part Description	Notes	Qty	Superseded By
1	PB-0021-P	BASE,CASTER FRONT		1	
2	WHEEL-603	WHL,10 X 2 BLACK UR RB 1 AXLE	Obsolete	0	WHEEL-604-KIT
2	WHEEL-604-KIT	WHL,10X2,GREY UR		2	
4	HARD-021	RET RING 1.0		2	
5	WHEEL-609-P	WASHER,1.015 IDX2 ODX.03 THK P		2	
6	WHEEL-603-2-P	WASHER,1.0 ID,2.0 OD,.075 THK		2	
7	WHEEL-609-SS	WASHER, 1.015ID,2OD,.03 THK SS		2	

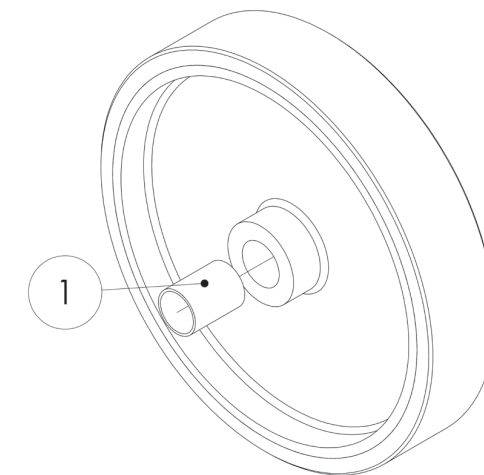
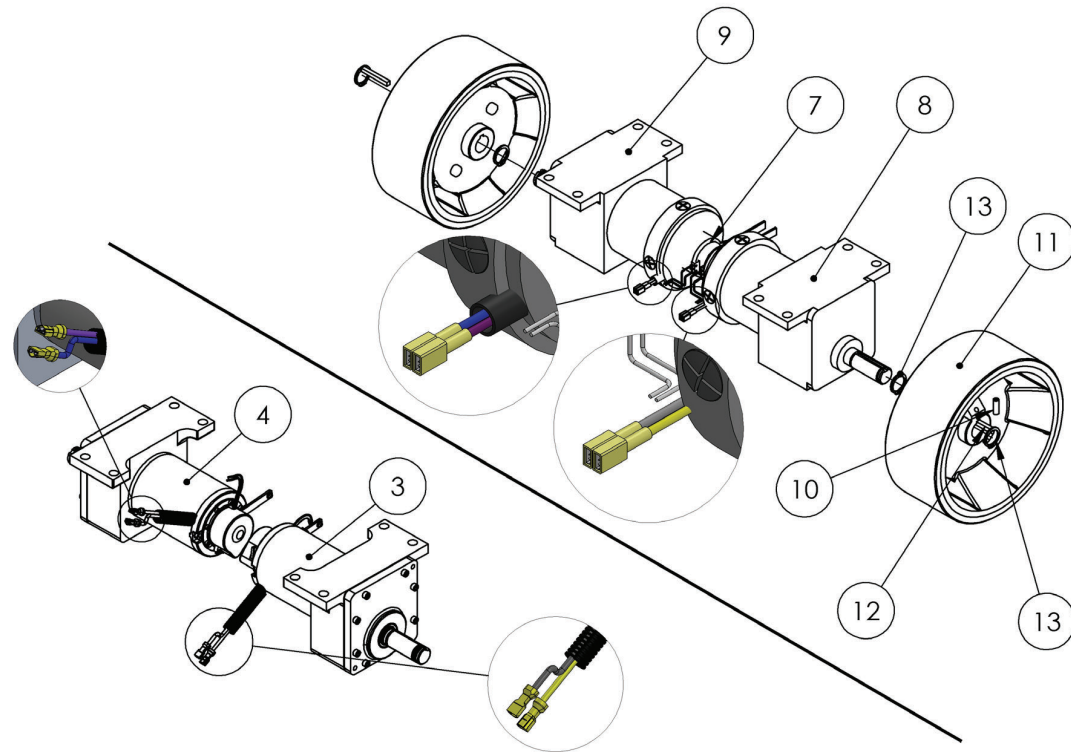


FIGURE 11: HB-1430 Front Wheel Subparts

Item #	Part Number	Part Description	Notes	Qty	Superseded By
1	HARD-001-1	DU BEARING,1 ID X 1.5 L		1	

1.6 | DRIVE PARTS



Item #	Part Number	Part Description	Notes	Qty	Superseded By
1	ELEC-626-2	DRIVE MOTOR,24V ELE,HB,STA	Superseded; 52250-52765Obsolete	0	ELEC-626-3-KIT
2	ELEC-626-4-KIT	DRIVE MOTOR,24VELE KIT,DUM	RETRO ELEC-626-2 TO -4	1	
3	ELEC-626-4L-KIT	DRIVE MOTOR,24V ELEC,HB,DUM	YELLOW/GREY LEADS;MAY SUB FOR ELEC-626-3L-KIT	1	
4	ELEC-626-4R-KIT	DRIVE MOTOR,24V ELEC,HB,DUM	BLUE/VIOLET LEADS;MAY SUB FOR ELEC-626-3R-KIT	1	
5	HARD-020	RETAINING RING 0.75	52250-52765	4	
6	HARD-157-1	KEY,0.19 X 0.19 X 2	52250-52765	2	
7	ELEC-627-COVER	COVER,VINYL		2	
8	ELEC-626-3L-KIT	DRIVE MOTOR,24V ELE,HB,EUC		1	ELEC-626-4L-KIT
9	ELEC-626-3R-KIT	DRIVE MOTOR,24V ELE,HB,EUC		1	ELEC-626-4R-KIT
10	SCREW-2011	5/16-18 X 1 SS CUP PT SET SCRW		2	
11	WHEE-600-1	WHL,10X4 GREY UR KW 1.0		2	
12	HARD-157	KEY,0.25 X 0.25 X 2		2	
13	HARD-021	RET RING 1.0		4	
14	HARD-600	PILLOW BEARING	52250-52765	1	
15	SCREW-2000	5/16-18 X 1/4 CUP PT SET SCREW	52250-52765	2	
16	WHEE-600	WHL,10X4 BLUE KW 0.75	52250-52765	2	

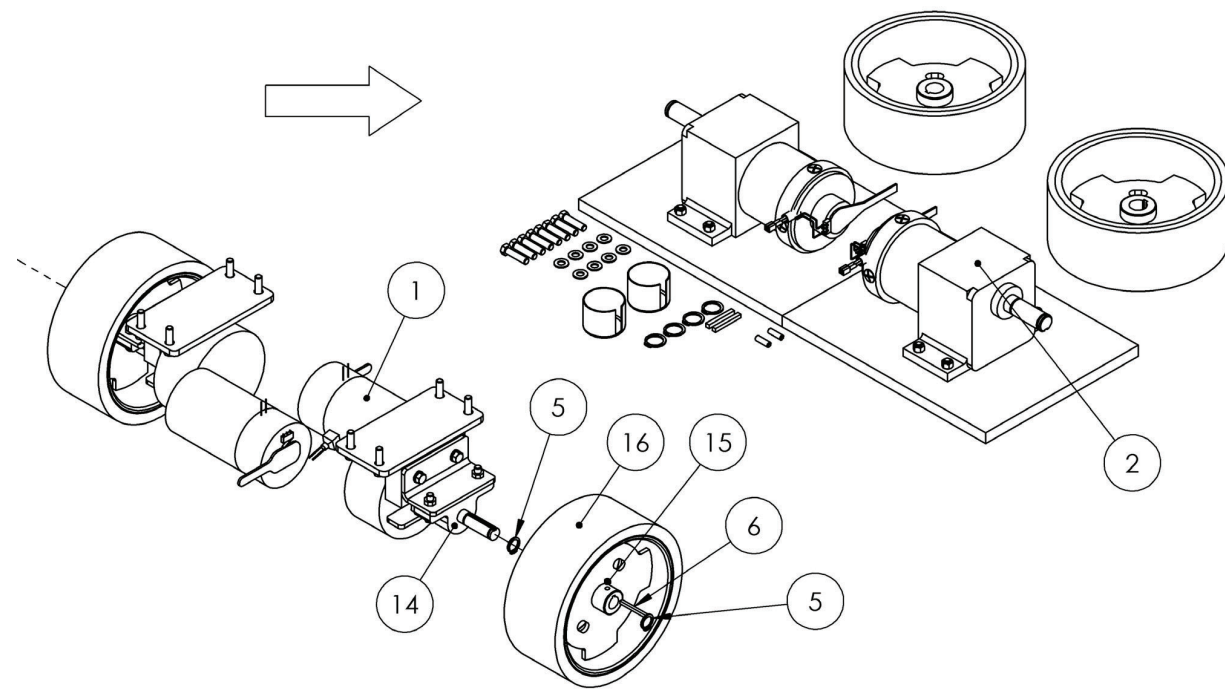
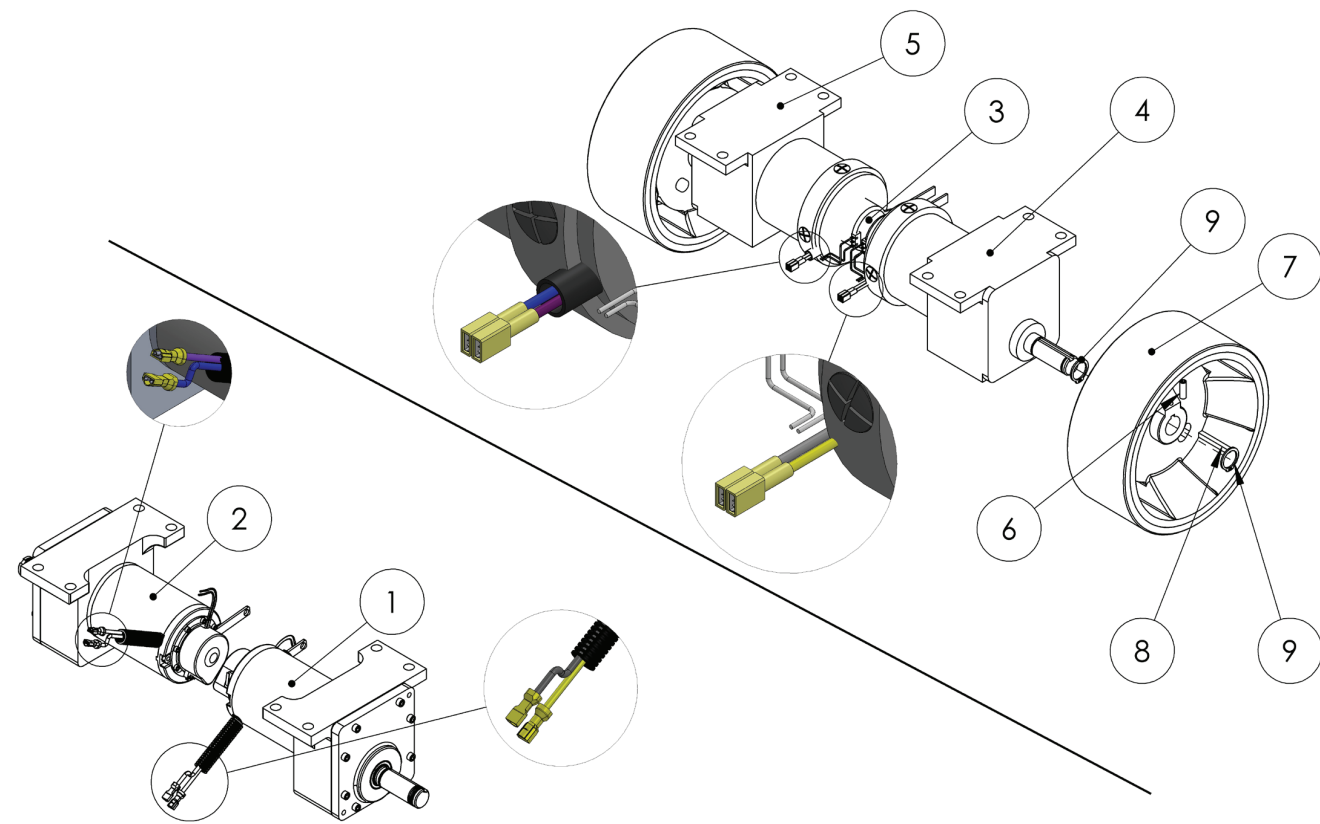


FIGURE 12: HB-1030 Drive Parts



THIS PAGE WAS INTENTIONALLY LEFT BLANK

FIGURE 13: HB-1430 Drive Parts

Item #	Part Number	Part Description	Notes	Qty	Superseded By
1	ELEC-626-4L-KIT	DRIVE MOTOR, 24V ELEC, HB, DUM	YELLOW/GREY LEADS; MAY SUB FOR ELEC-626-3L-KIT	1	
2	ELEC-626-4R-KIT	DRIVE MOTOR, 24V ELEC, HB, DUM	BLUE/VIOLET LEADS; MAY SUB FOR ELEC-626-3R-KIT	1	
3	ELEC-627-COVER	COVER, VINYL		2	
4	ELEC-626-3L-KIT	DRIVE MOTOR, 24V ELE, HB, EUC	ELEC-626-4L-KIT	1	
5	ELEC-626-3R-KIT	DRIVE MOTOR, 24V ELE, HB, EUC	ELEC-626-4R-KIT	1	
6	SCREW-2011	5/16-18 X 1 SS CUP PT SET SCRW		2	
7	WHEEL-600-1	WHL, 10X4 GREY UR KW 1.0		2	
8	HARD-157	KEY, 0.25 X 0.25 X 2		2	
9	HARD-021	RET RING 1.0		4	

1.7 | DRIVE SUBPARTS

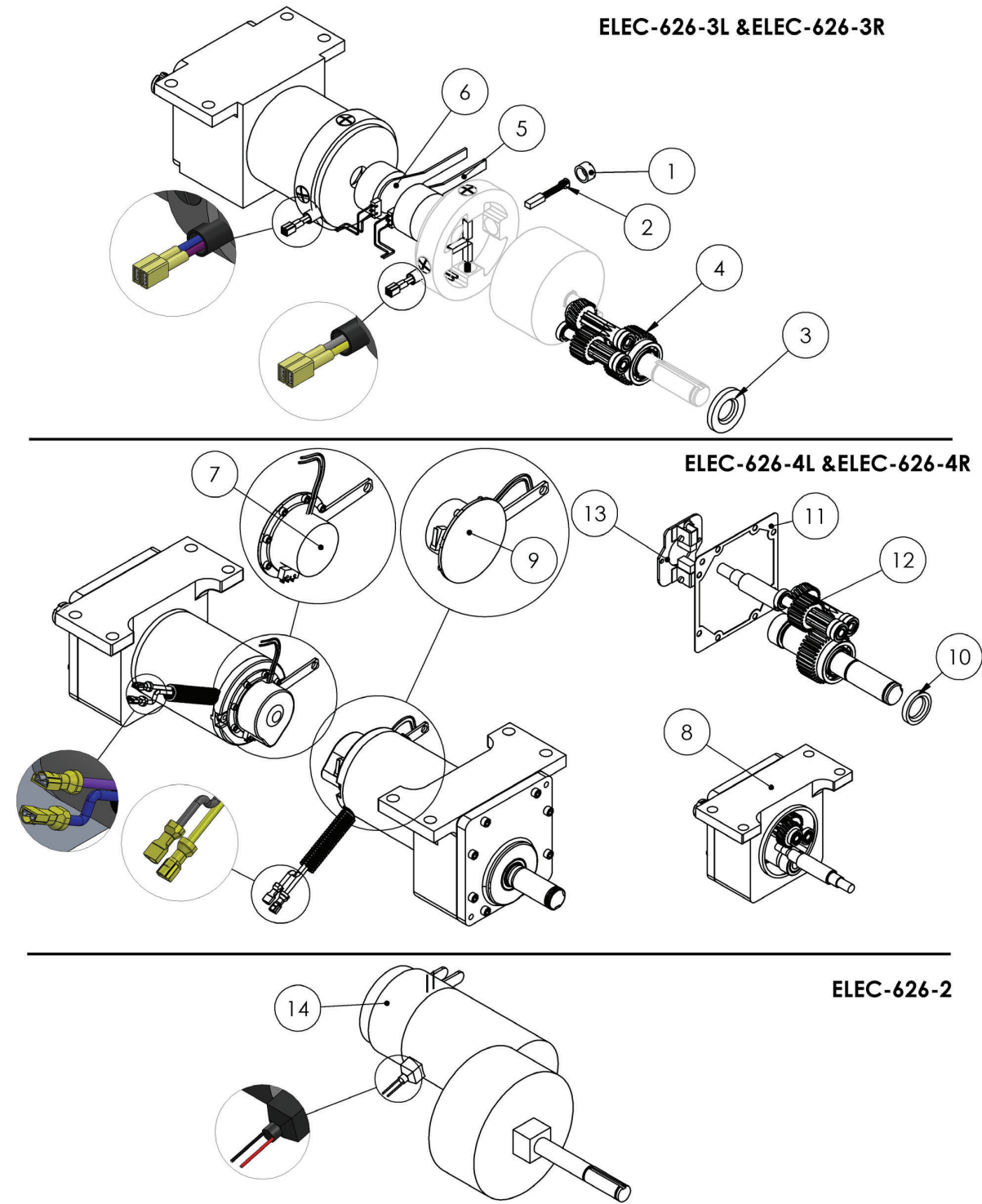


FIGURE 14: HB-1030 Drive Subparts

Item #	Part Number	Part Description	Notes	Qty	Superseded By
1	ELEC-626-BRSHCP	DRIVE MOTOR BRUSH CAP		1	
2	ELEC-626-BRUSH	DRIVE MOTOR BRUSHES		1	
3	ELEC-626-3A	DRIVE MOTOR SHAFT SEAL,EUC		1	
4	ELEC-626-G	DRIVE MOTOR GEARS,HB,EUC		1	
5	ELEC-627-3L	DRIVE MOTOR BRAKE L,HB,EUC		1	
6	ELEC-627-3R	DRIVE MOTOR BRAKE R,HB,EUC		1	
7	ELEC-627-5R	DRIVE MOTOR,BRAKE,HB,DUM	DUMORE: HOUSING ALL SILVER; Applicable if drives replaced	1	
8	ELEC-626-4C	DRIVE MOTOR GEARBOX,DUM	DUMORE: HOUSING ALL SILVER; Applicable if drives replaced	1	
9	ELEC-627-5L	DRIVE MOTOR,BRAKE,HB,DUM	DUMORE: HOUSING ALL SILVER; Applicable if drives replaced	1	
10	ELEC-626-4A	DRIVE MOTOR SHAFT SEAL,DUM	DUMORE: HOUSING ALL SILVER; Applicable if drives replaced	1	
11	ELEC-626-4B	DRIVE MOTOR HOUSING GASKET,DUM	DUMORE: HOUSING ALL SILVER; Applicable if drives replaced	1	
12	ELEC-626-4G	DRIVE MOTOR GEARS,HB,DUM	DUMORE: HOUSING ALL SILVER; Applicable if drives replaced	1	
13	ELEC-626-4BRUSH	BRUSH KIT,DUMORE	DUMORE: HOUSING ALL SILVER; Applicable if drives replaced	1	
14	ELEC-627	DRIVE MOTOR BRAKE,HB,STA	52251-52768	1	

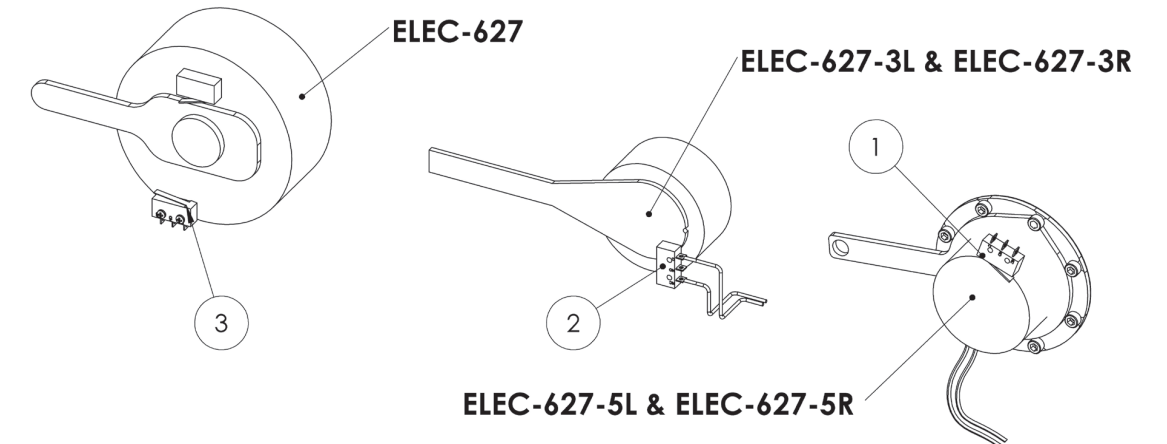
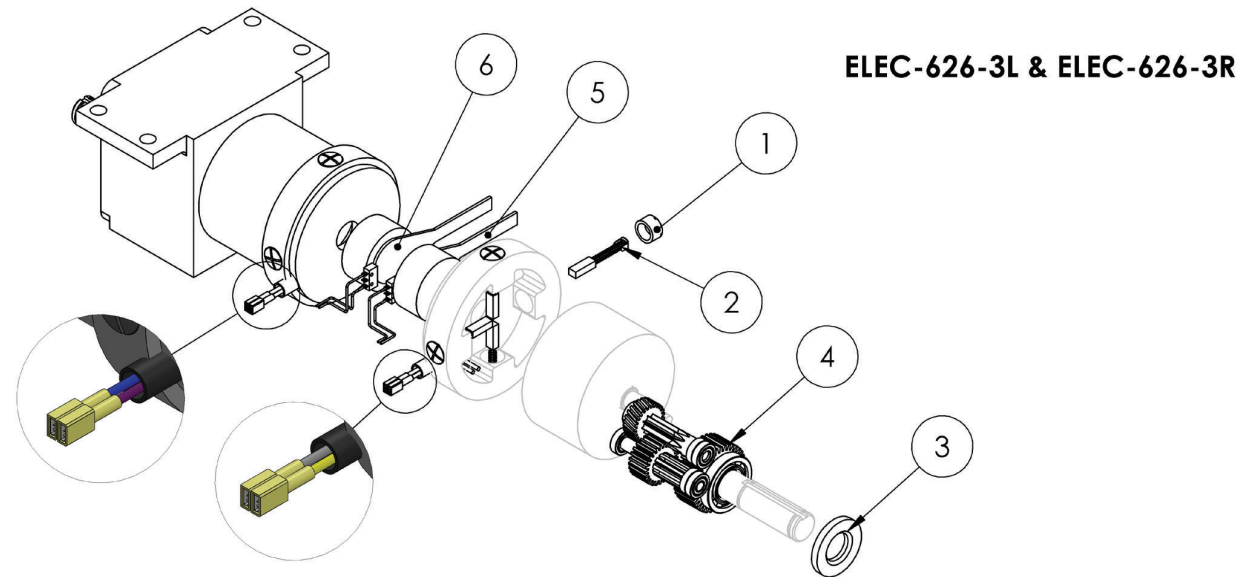


FIGURE 15: HB-1030 Drive Brake Subparts

Item #	Part Number	Part Description	Notes	Qty	Superseded By
1	ELEC-126-7-KIT	SWITCH,LIMIT,STRAIGHT LVR MICR	DUMORE: HOUSING ALL SILVER; Applicable if drives replaced	1	
2	ELEC-627-4-KIT	SWITCH,LIMIT,BUTTON MICRO		1	
3	ELEC-126-7-KIT	SWITCH,LIMIT,STRAIGHT LVR MICR	52251-52768	1	



Item #	Part Number	Part Description	Notes	Qty	Superseded By
1	ELEC-626-BRSHCP	DRIVE MOTOR BRUSH CAP		1	
2	ELEC-626-BRUSH	DRIVE MOTOR BRUSHES		1	
3	ELEC-626-3A	DRIVE MOTOR SHAFT SEAL,EUC		1	
4	ELEC-626-G	DRIVE MOTOR GEARS,HB,EUC		1	
5	ELEC-627-3L	DRIVE MOTOR BRAKE L,HB,EUC		1	
6	ELEC-627-3R	DRIVE MOTOR BRAKE R,HB,EUC		1	
7	ELEC-627-5R	DRIVE MOTOR,BRAKE,DUM		1	
8	ELEC-626-4C	DRIVE MOTOR GEARBOX,DUM		1	
9	ELEC-627-5L	DRIVE MOTOR,BRAKE,DUM		1	
10	ELEC-626-4A	DRIVE MOTOR SHAFT SEAL,DUM		1	
11	ELEC-626-4B	DRIVE MOTOR HOUSING GASKET,DUM		1	
12	ELEC-626-4G	DRIVE MOTOR GEARS,HB,DUM		1	
13	ELEC-626-4BRUSH	BRUSH KIT,DUMORE		1	

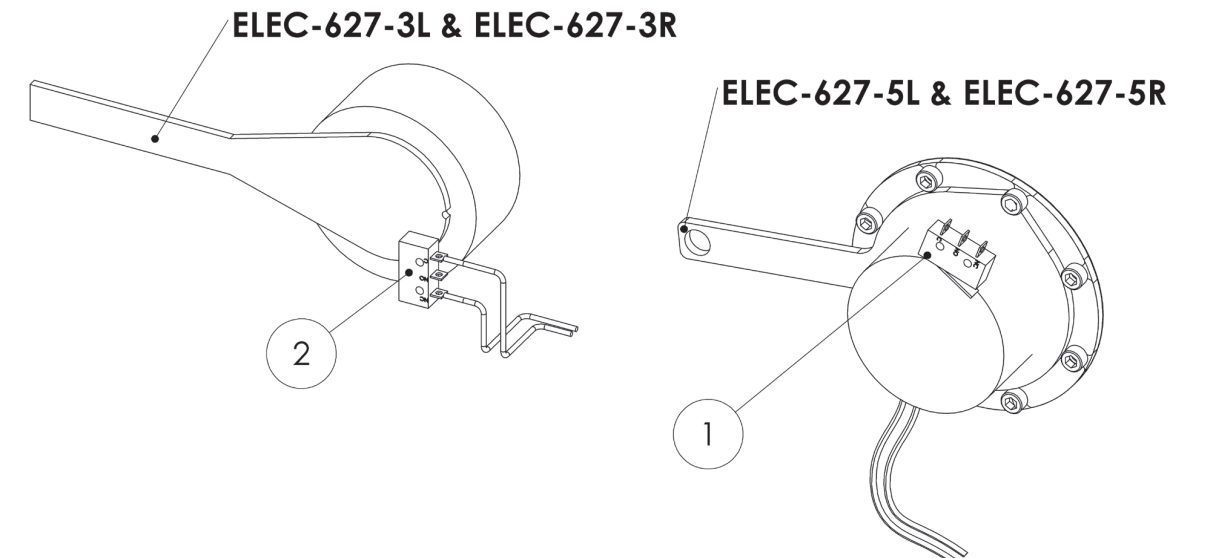
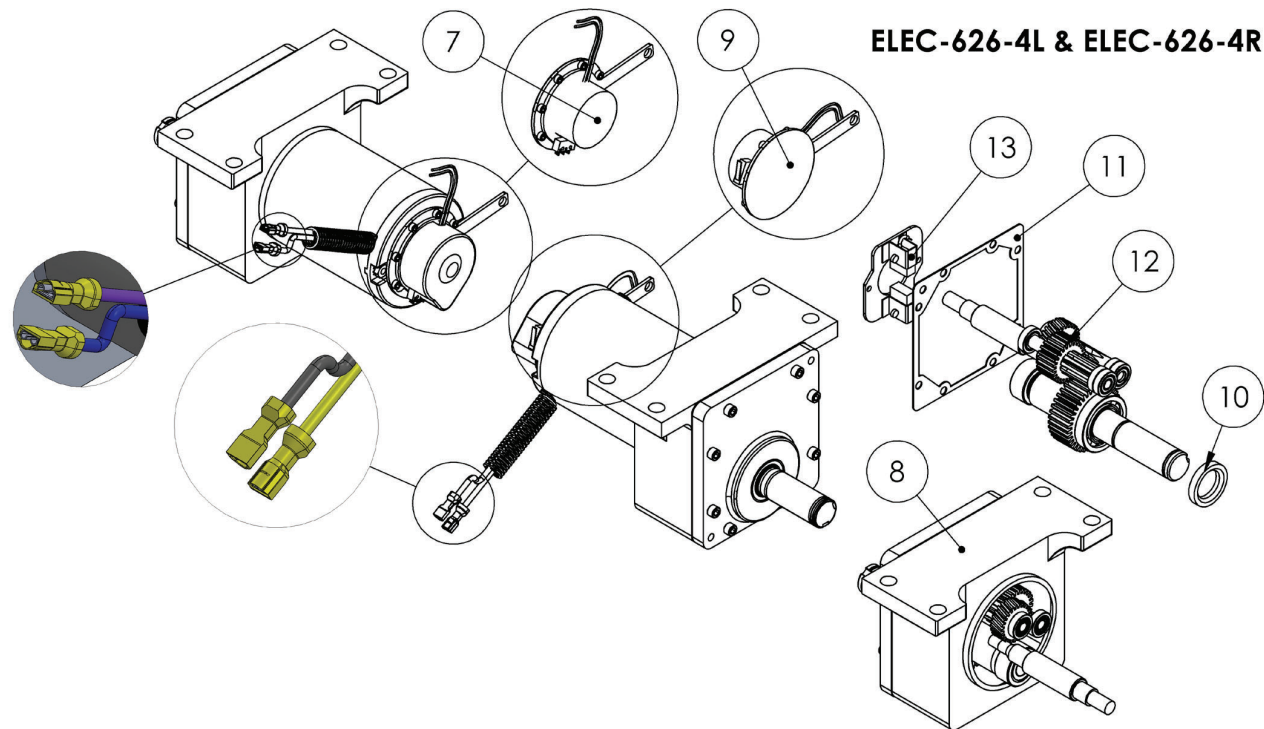


FIGURE 16: HB-1430 Drive Subparts

FIGURE 17: HB-1430 Drive Brake Subparts

Item #	Part Number	Part Description	Notes	Qty	Superseded By
1	ELEC-126-7-KIT	SWITCH,LIMIT,STRAIGHT LVR MICR		1	
2	ELEC-627-4-KIT	SWITCH,LIMIT,BUTTON MICRO		1	

1.8 | PUMP PARTS

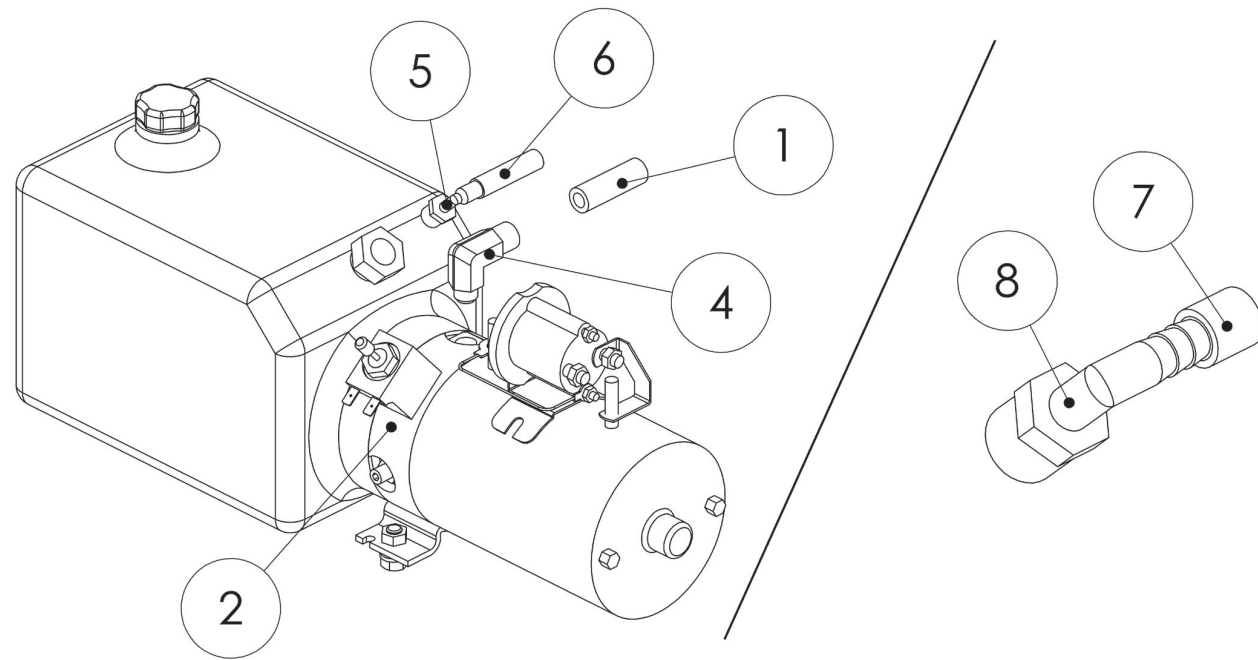


FIGURE 18: HB-1030 Pump Parts

Item #	Part Number	Part Description	Notes	Qty	Superseded By
1	HYDR-600	HOSE ASM,PRECUT 98.75		1	
2	HYDR-050-1-KIT2	PUMP,24VDC,0.125,1.15,3.5	Entire pump	1	
3	HYDR-032	HYDRAULIC OIL	Not available as a replacement part. Replace with Flomite #150, Dexron II, Mobil-DTE 2 or equivalent 32 weight implement oil	0	
4	HYDR-037	FITTING,ELB,JICM 9/16-NPTM 3/8		1	
5	HYDR-019	FITTING,ELB,NPTM 3/8-1/4 PUSH		1	
6	HYDR-022-3	LOW PRESSURE HOSE	Quantity in inches	102	
7	HYDR-022	RETURN HOSE	Obsolete;	0	HYDR-022-3
8	HYDR-021	FITTING,ELB,NPTM 3/8-1/4 BARB	Obsolete	0	HYDR-019

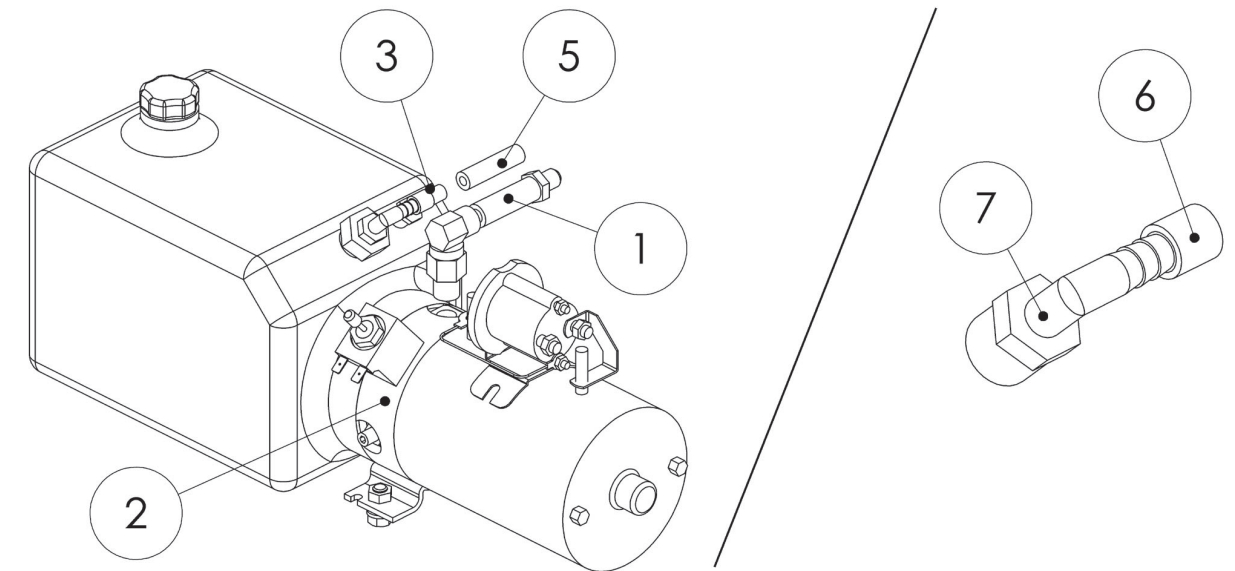


FIGURE 19: HB-1430 Pump Parts

Item #	Part Number	Part Description	Notes	Qty	Superseded By
1	HYDR-600-1A	HOSE ASM,PRECUT HB1430 PMP END		1	
2	HYDR-050-1-KIT	PUMP,24VDC,0.125,1.15,3.5	Entire pump	1	
3	HYDR-019	FITTING,ELB,NPTM 3/8-1/4 PUSH		1	
4	HYDR-032	HYDRAULIC OIL	Not available as a replacement part. Replace with Flomite #150, Dexron II, Mobil-DTE 2 or equivalent 32 weight implement oil	0	
5	HYDR-022-3	LOW PRESSURE HOSE	Quantity in inches	163	
6	HYDR-022	HYDRAULIC HOSE	Obsolete	0	HYDR-022-3
7	HYDR-021	FITTING,ELB,NPTM 3/8-1/4 BARB	Superseded; Obsolete	0	HYDR-019

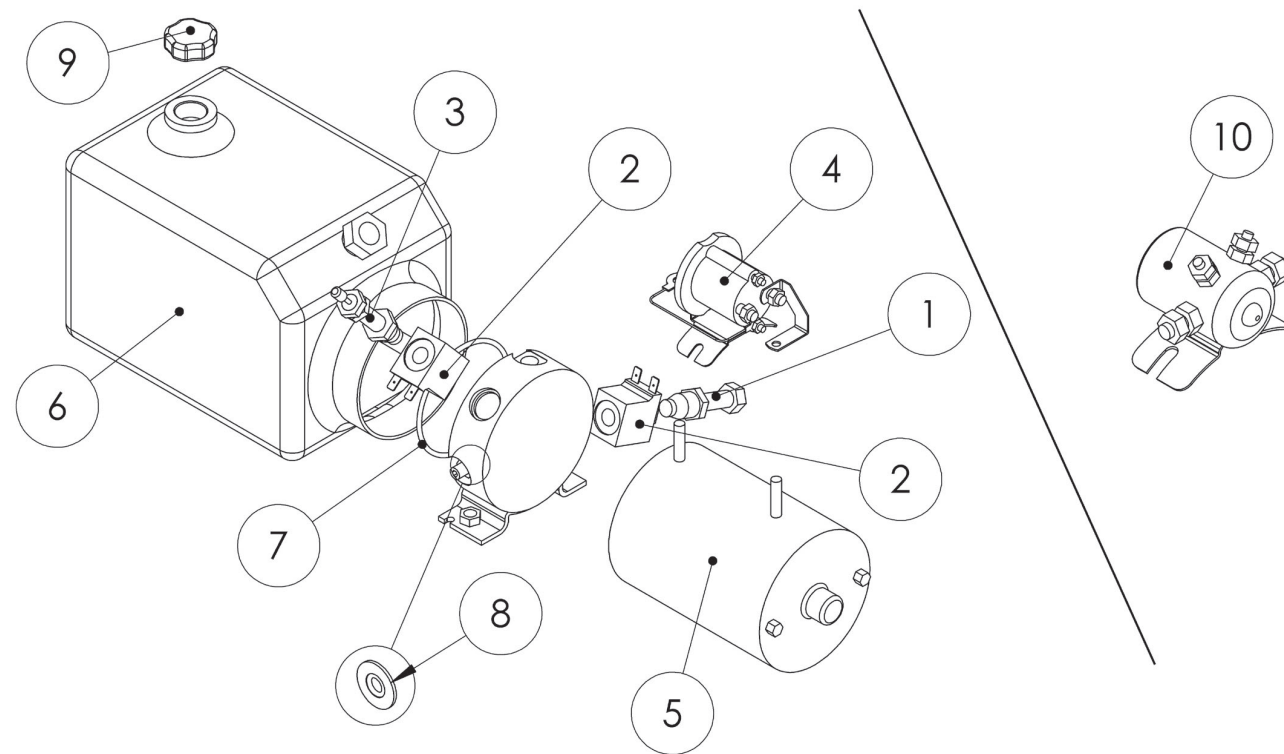


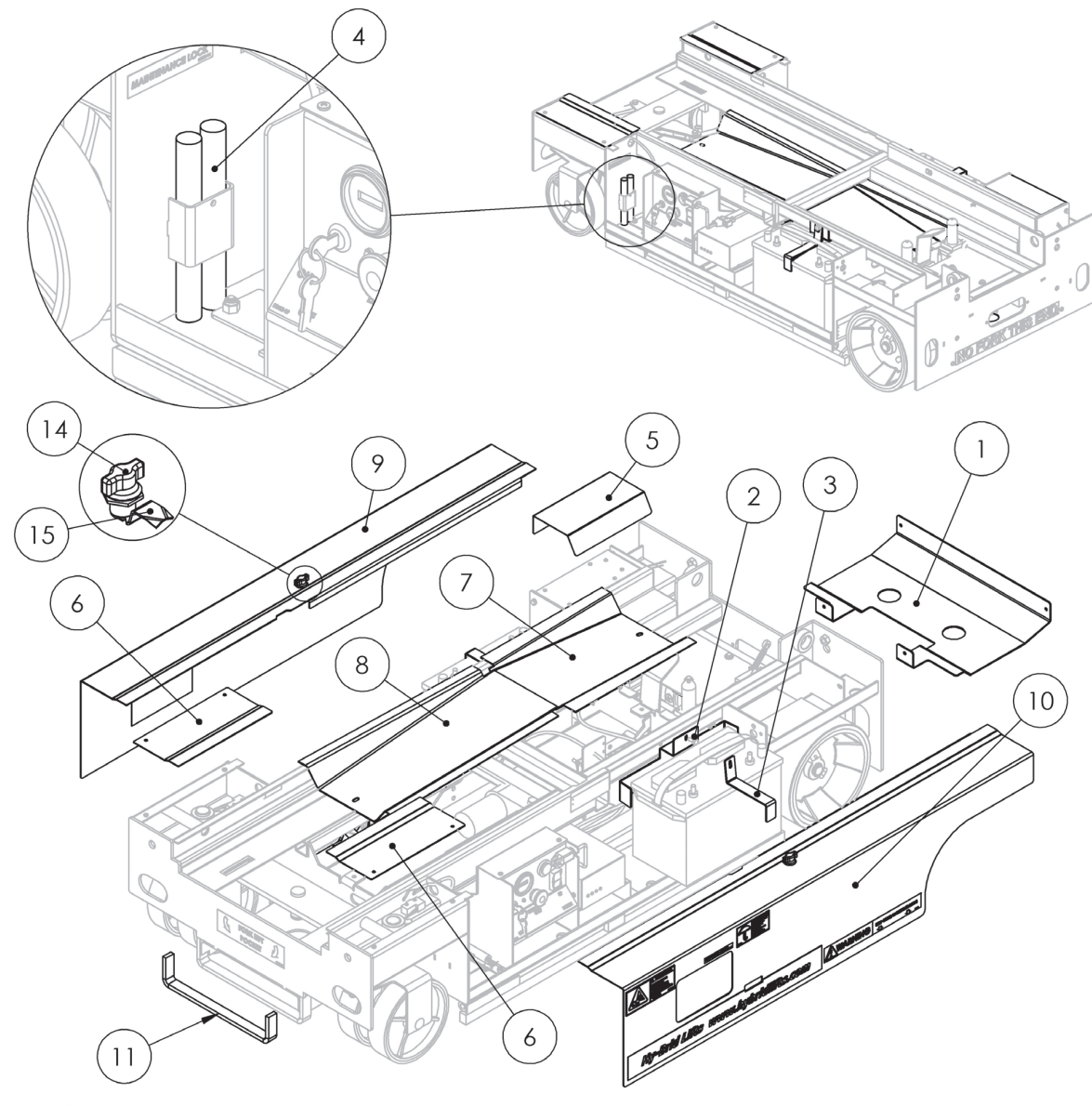
FIGURE 20: HB-1030/1430 Pump Parts

PUMP PARTS, HB-1030

Item #	Part Number	Part Description	Notes	Qty	Superseded By
1	HYDR-665	VALVE,NO,2W/2P,#8,UP		1	
2	HYDR-664	COIL,18V		2	
3	HYDR-663	VALVE,NC,2W/2P,#8,DWN,TURN,DEL		1	
4	HYDR-666-1	SOLENOID,24V,ISOLATED,SPST	54000-59999; D110002-D01-19999	1	
5	HYDR-050-1MOTOR	PUMP MOTOR,24V,0.125 CIR		1	
6	HYDR-067	PUMP RESERVOIR,1.15 GAL		1	
7	HYDR-068	PUMP RESERVOIR O-RING		1	
8	HYDR-667	WASH,0.38 ID,0.75 OD,PRES SEAL		1	
9	HYDR-042	PUMP RESERVOIR CAP		1	
10	HYDR-666	SOLENOID,24V,ISOLATED,SPST	52250-52381; C52000-C52007	1	

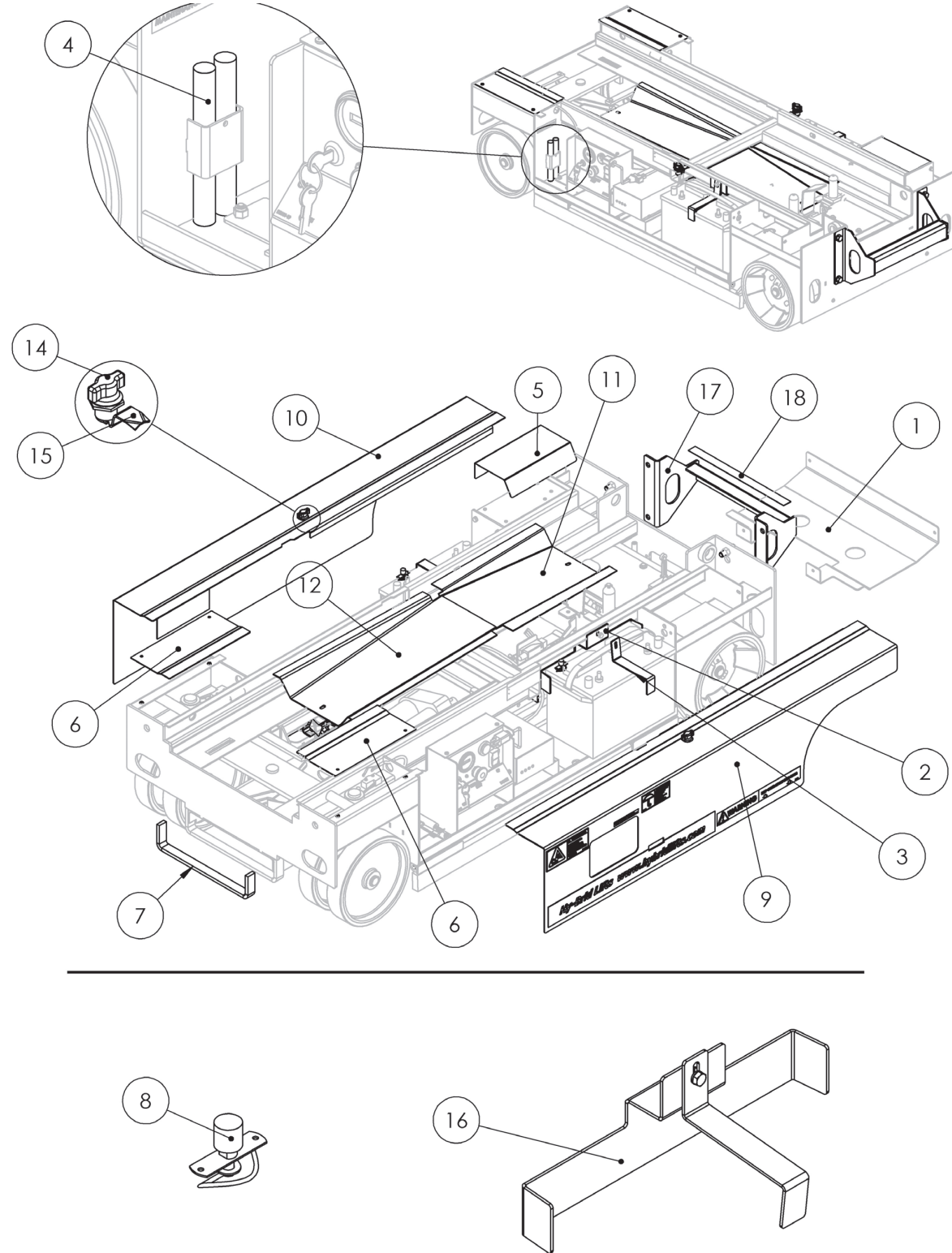
PUMP PARTS, HB-1430

Item #	Part Number	Part Description	Notes	Qty	Superseded By
1	HYDR-665	VALVE,NO,2W/2P,#8,UP		1	
2	HYDR-664	COIL,18V		2	
3	HYDR-663	VALVE,NC,2W/2P,#8,DWN,TURN,DEL		1	
4	HYDR-666-1	SOLENOID,24V,ISOLATED,SPST	72052-74000	1	
5	HYDR-050-1MOTOR	PUMP MOTOR,24V,0.125 CIR		1	
6	HYDR-067	PUMP RESERVOIR,1.15 GAL		1	
7	HYDR-068	PUMP RESERVOIR O-RING		1	
8	HYDR-667	WASH,0.38 ID,0.75 OD,PRES SEAL		1	
9	HYDR-042	PUMP RESERVOIR CAP		1	
10	HYDR-666	SOLENOID,24V,ISOLATED,SPST	6200-72075; C6000-C6019	1	



Item #	Part Number	Part Description	Notes	Qty	Superseded By
1	LAS-M088-A	BASE,ROCK SHIELD/DRIVE COVER		1	
2	LAS-M061-PC	BASE,BATT HOLD DOWN BACK	Superseded	2	LAS-M061-KIT
3	LAS-M062-PC	BASE,BATT HOLD DOWN FRONT	Superseded	2	LAT0M061-KIT
4	HB-ML-P	BASE,ML PIN		2	
5	LAS-M097	DRIP COVER		1	
6	LAS-M026	COVER,BASE STEER TOP		2	
7	LAS-M024	COVER,BASE DRAIN PAN REAR		1	
8	LAS-M025	COVER,BASE DRAIN PAN FRONT		1	
9	SUB A11-R-1	ASM,COVER,PUMP SIDE		1	
10	SUB A11-L-1	ASM,COVER CTL SIDE		1	
11	FLAT-024-HB	BASE,FORK POCKET		1	
12	HARD-042	CABINET FASTENER	52251-52575	2	
13	HB-24V-27	BASE,BATT HOLD DOWN	Superseded	1	LAS-M061-KIT
14	HARD-633B	CABINET LATCH HANDLE	52276-53999	2	
15	HARD-633A	CABINET LATCH CAM	52276-53999	2	
16	LAS-M088	DRIVE COVER		1	
17	LAS-M061-KIT	BASE,BATT HOLD DOWN		2	

FIGURE 21: HB-1030 Base Misc Parts



Item #	Part Number	Part Description	Notes	Qty	Superseded By
1	LAS-M088-A	BASE,ROCK SHIELD/DRIVE COVER		1	
2	LAS-M061-PC	BASE,BATT HOLD DOWN BACK	Superseded	2	LAS-M061-KIT
3	LAS-M062-PC	BASE,BATT HOLD DOWN FRONT	Superseded	2	LAS-M061-KIT
4	HB-ML-P	BASE,ML PIN		2	
5	LAS-M097	DRIP COVER		1	
6	LAS-M026	COVER,BASE STEER TOP		2	
7	FLAT-024-HB	BASE,FORK POCKET		1	
8	HARD-042	CABINET FASTENER		2	
9	SUB A11-L-1	ASM,COVER CTL SIDE		1	
10	SUB A11-R-1	ASM,COVER,PUMP SIDE		1	
11	LAS-M024	COVER,BASE DRAIN PAN REAR		1	
12	LAS-M025	COVER,BASE DRAIN PAN FRONT		1	
13	HB-24V-27	BASE,BATT HOLD DOWN	Obsolete	1	LAS-M061-KIT
14	HARD-633B	CABINET LATCH HANDLE		2	
15	HARD-633A	CABINET LATCH CAM		2	
16	LAS-M061-KIT	BASE,BATT HOLD DOWN		2	
17	LAS-M100-E-PC	BASE,ACCESS STEP		1	
18	MISC-030-01-KIT	ANTI-SLIP TAPE,1, 13.75 LENGTH		1	

FIGURE 22: HB-1430 Base Misc Parts

1.9 | CONTROL/ELECTRICAL PARTS

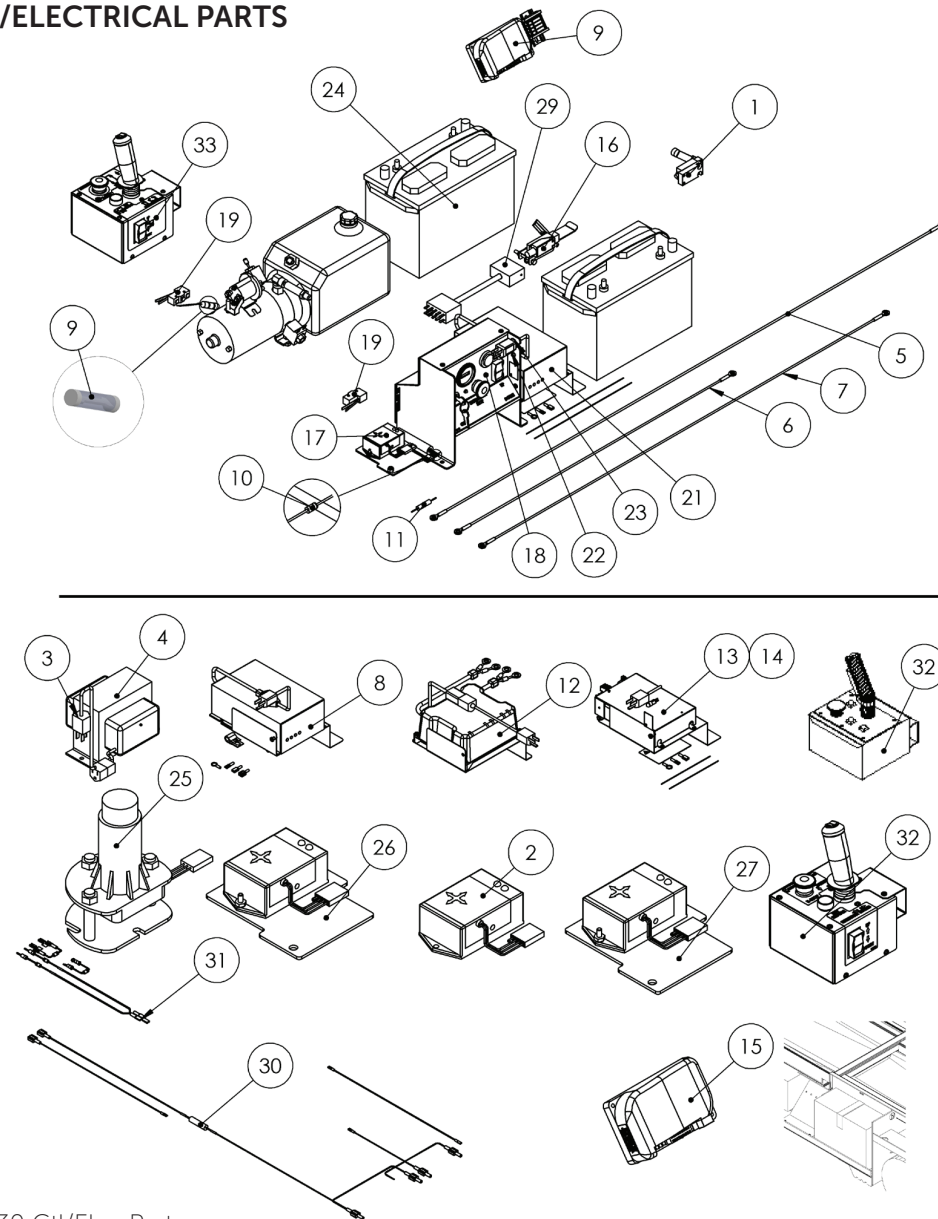


FIGURE 23: HB-1030 Ct/Elec Parts

Item #	Part Number	Part Description	Notes	Qty	Superseded By
1	ELEC-123-6-KIT	SWITCH,LIMIT,ADJ ROL.LVR,NO/NC	SCISSORS ELEVATION SWITCH, LOCATED AT ROLLER TRACK	1	
2	ELEC-629	SENSOR,TILT 1.5X-2.0Y NO	REQUIRED IN CANADA; OK FOR USA	1	
3	ELEC-639	CORD,NEMA 5-15P/5-16R,6.0	6 INCH LENGTH CHARGER CORD	1	
4	ELEC-640	CHARGER,24V	52251-53381	1	
5	ELEC-641A	CABLE,6GA,BLACK,63,B/B		1	
6	ELEC-641B	CABLE,6GA,RED,34,R/B		1	
7	ELEC-641C	CABLE,6GA,RED,50,B/R		1	
8	ELEC-645-KIT	CHARGER,24V,11A,RETROFIT	52251-53381; RETROFIT TO ELEC-645	1	

9	SUB 901	BOARD,DRIVE CTL (HB)	54000-54621	1	
10	ELEC-686	DIODE		1	
11	ELEC-687	4-OHM RESISTOR		1	
12	ELEC-747-KITB	CHARGER,24V	RETROFIT TO ELEC-747	1	
13	ELEC-770-KITB	CHARGER,24V,LES PRI RETRO LGS1	RETROFIT TO ELEC-770, FOR AGM BATT	1	
14	ELEC-771-KITB	CHARGER,24V,LES PRI RETRO HBMD	RETROFIT TO ELEC-771, FOR WET BATT	1	
15	ELEC-900	BOARD,DRIVE CTL (HB1030)	52251-53381; For HB1030 Static PH Only	1	
16	ELEC-123-KIT	SWITCH,LIMIT,ADJ ROLL LEVER	PH LIMIT SWITCH,LOCATED INSIDE CHASSIS	1	
17	ELEC-628	ASM,TILT SENSOR 2.0 X 2.0	USA ONLY; INCANADA USE ELEC-629	1	
18	SUB A8A	ASM,CTL LWR (HB1)		1	
19	ELEC-624	SWITCH,LIMIT STRAIGHT LEVER		2	
21	ELEC-645	CHARGER, 24V		1	
22	ELEC-639-1	CORD,NEMA 515/IEC C13,12.0	12 INCH LENGTH CHARGER CORD	1	
23	HARD-614	RUBBER GROMMET		1	
24	N/A	BATTERY,12V,GR27 DEEP CYCLE	*NOT SOLD FOR REPLACEMENT. REPLACE WITH GROUP 27, 12-VOLT DEEP CYCLE OR AGM BATTERY WEIGHING AT LEAST 45 LB.*	2	
25	SUB A12	ASM,TILT SENSOR 2.0X2.0	Superseded;	0	SUB A12-11
26	SUB A12-10	ASM,TILT SENSOR 2.0 X 1.5	Retrofit kit, SUB A12 to ELEC-629 (REQ'D FOR CSA; OK IN USA)	1	
27	SUB A12-11	ASM,TILT SENSOR 2.0 X 2.0	Retrofit kit, SUB A12 to ELEC-628 (USA ONLY)	1	
28	SUB A13	CTL,WIRE HARNESS,MAIN 10C/21FT	Superseded;	0	SUB A13-3
28	SUB A13-3	CTL,WIRE HARNESS,MAIN 10C/27FT		1	
30	SUB A8-G	CTL,BRAKE HARNESS		1	
31	SUB A8-H	TVS DIODE KIT-HYBRID		1	
32	SUB A9	UPPER CONTROL	Superseded;	0	SUB A9-001
33	SUB A9-001	ASM,CTL UPR (HB ANSI)		1	
36	WD-HB1030-R01	WIRING DIAGRAM,HB1030 R01	Superseded; 52251-52274WIRING DIAGRAM	0	WD-HB1030-R02
37	WD-HB1030-R02	WIRING DIAGRAM,HB1030 R02	52251-52275; WIRING DIAGRAM	1	
38	WD-HB1030-R03	WIRING DIAGRAM,HB1030 R03	52276-53381; WIRING DIAGRAM	1	
39	WS-HB-R00	ELEC SCH,HB1030/1430 R00	54000-54499; ELECTRICAL SCHEMATIC	1	
40	WS-HB-R01	ELEC SCH,HB1030/1430 R01	54550-54621; ELECTRICAL SCHEMATIC	1	
41	WS-HBC-R02	ELEC SCH,HB1030C/1430C R02	54000-54621; ELECTRICAL SCHEMATIC;APPLICABLE IF CSA OPTION INSTALLED	1	
41	WS-HBC-R02	ELEC SCH,HB1030C/1430C R02	54000-54621; ELECTRICAL SCHEMATIC;APPLICABLE IF CSA OPTION INSTALLED	1	

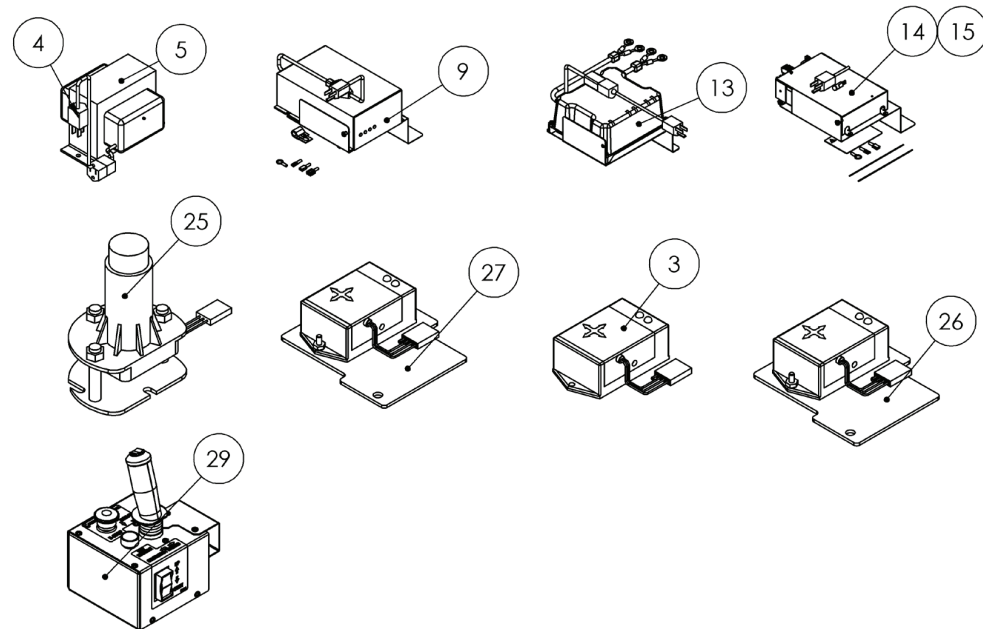
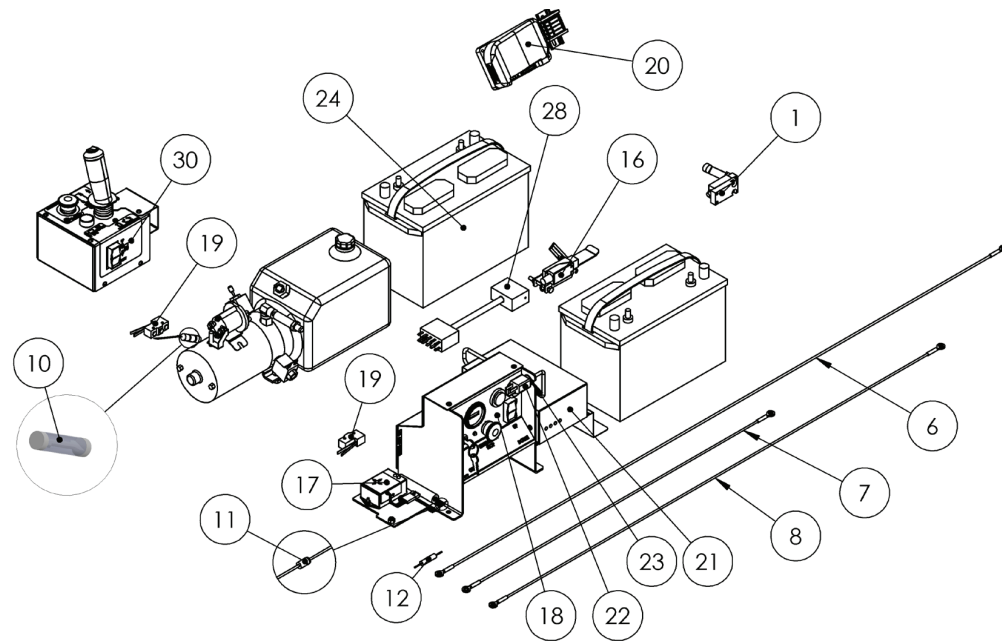


FIGURE 24: HB-1430 Ctl/Elec Parts

Item #	Part Number	Part Description	Notes	Qty	Superseded By
1	ELEC-123-6-KIT	SWITCH,LIMIT,ADJ ROL.LVR,NO/NC		1	
2	ELEC-628	SENSOR,TILT 2.0 X 2.0 NO		1	
3	ELEC-629	SENSOR,TILT 1.5X-2.0Y NO	REQUIRED IN CANADA; OK FOR USA	1	
4	ELEC-639	CORD,NEMA 5-15P/5-16R,6.0		1	

5	ELEC-640	CHARGER,24V	6200-6598	1	
6	ELEC-641A	CABLE,6GA,BLACK,63,B/B		1	
7	ELEC-641B	CABLE,6GA,RED,34,R/B		1	
8	ELEC-641C	CABLE,6GA,RED,50,B/R		1	
9	ELEC-645-KIT	CHARGER,24V,11A,RETROFIT	6200-6598; RETROFIT TO ELEC-645	1	
10	ELEC-670-2	FUSE 20 AMP AGC		1	
11	ELEC-686	DIODE		1	
12	ELEC-687	4-OHM RESISTOR		1	
13	ELEC-747-KITB	CHARGER,24V	RETROFIT TO ELEC-747	1	
14	ELEC-770-KITB	CHARGER,24V,LES PRI RETRO LGS1	RETROFOT TO ELEC-770	1	
15	ELEC-771-KITB	CHARGER,24V,LES PRI RETRO HBMD	RETROFIT TO ELEC-771	1	
16	ELEC-123-KIT	SWITCH,LIMIT,ADJ ROLL LEVER		1	
17	ELEC-628	SENSOR,TILT 2.0X-2.0Y NO	USA ONLY; IN CANADA USE ELEC-629	1	
18	SUB A8A	ASM,CTL LWR (HB1)		1	
19	ELEC-624	SWITCH,LIMIT STRAIGHT LEVER		2	
20	SUB 901	BOARD,DRIVE CTL (HB)		1	
21	ELEC-645	CHARGER, 24V	6539-6999	1	
22	ELEC-639-1	CORD,NEMA 515/IEC C13,12.0		1	
23	HARD-614	RUBBER GROMMET		1	
24	N/A	BATTERY,12V,GR27 DEEP CYCLE	"NOT SOLD FOR REPLACEMENT. REPLACE WITH GROUP 27, 12-VOLT DEEP CYCLE OR AGM BATTERY WEIGHING AT LEAST 45 LB."	2	
25	SUB A12	ASM,TILT SENSOR 2.0X2.0	Superseded; 6200-6999	0	SUB A12-11
26	SUB A12-10	ASM,TILT SENSOR 2.0 X 1.5	6200-6999; Retrofit kit, SUB A12 to ELEC-629 (REQ'D FOR CSA; OK IN USA)	1	
27	SUB A12-11	ASM,TILT SENSOR 2.0 X 2.0	6200-6999; Retrofit kit, SUB A12 to ELEC-628	1	
28	SUB A13-3	CTL,WIRE HARNESS,MAIN 10C/27FT		1	
29	SUB A9	UPPER CONTROL	Superseded;	0	SUB A9-001
30	SUB A9-001	ASM,CTL UPR (HB ANSI)		1	
31	WD-HB-R00	WIRING DIAGRAM,HB1030/1430 R00	6539-6999; WIRING DIAGRAM	1	
32	WD-HB-R01	WIRING DIAGRAM,HB1030/1430 R01	72192-74000; WIRING DIAGRAM	1	
33	WD-HB1430-R01	WIRING DIAGRAM,HB1430 R01	6200-6271; WIRING DIAGRAM	1	
34	WD-HB1430-R02	WIRING DIAGRAM,HB1430 R02	6272-6538; WIRING DIAGRAM	1	
35	WS-HB-R00	ELEC SCH,HB1030/1430 R00	6200-6999; ELECTRICAL SCHEMATIC	1	
36	WS-HB-R01	ELEC SCH,HB1030/1430 R01	72531-74000; ELECTRICAL SCHEMATIC	1	
37	WS-HBC-R02	ELEC SCH,HB1030C/1430C R02	6200-6999; ELECTRICAL SCHEMATIC,APPLICABLE IF CSA OPTION INSTALLED	1	

2.1 | UPPER CONTROL SUBPARTS

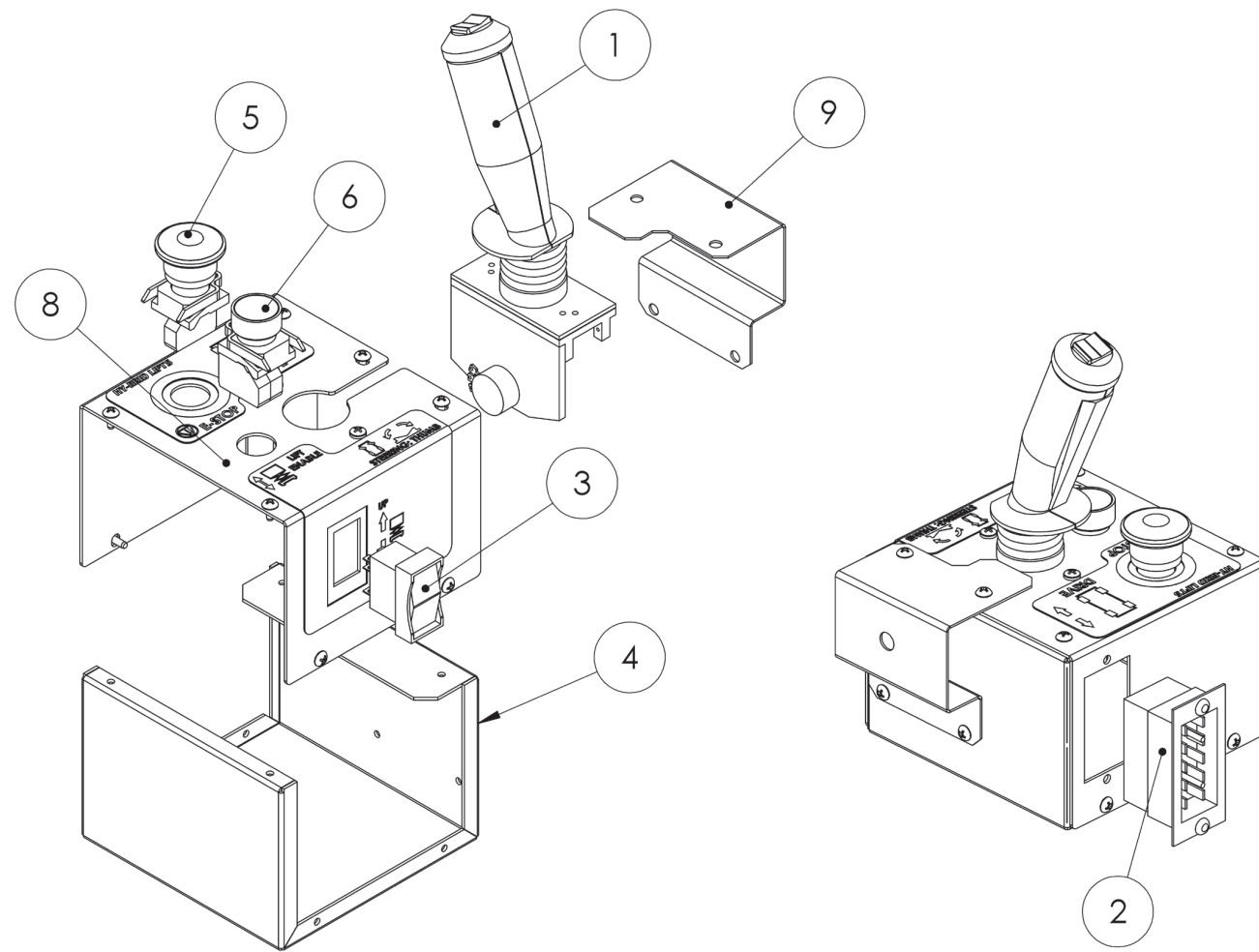


FIGURE 25: Upper Control Subparts

UPPER CONTROL SUBPARTS, HB-1030

Item #	Part Number	Part Description	Notes	Qty	Superseded By
1	ELEC-601	JOYSTICK		1	
2	ELEC-620	PLUG,10C,PANEL MNT		1	
3	ELEC-133B	SWITCH,ROCKER DPDT		1	
4	1020302601	RAIL,CTL BOX LWR		1	
5	ELEC-071-KIT	EMERGENCY STOP BUTTON		1	
6	ELEC-602-KIT	BUTTON,PUSH GREEN		1	
6	ELEC-602-KIT2	BUTTON,PUSH GREEN	Use if unit is retrofitted with SUB A9-001	1	
8	LAS-M085-PCA	CONTROL BOX, UPPER		1	
9	LAS-M087-PCA	RAIL,CONTROL MNT CHANNEL		1	
10	WD-SUB A9-001	WD,UPR CTL HBLGS2		1	
11	WD-SUB A9-R03	WD,UPR CTL HBLGS1	52302-54999	1	
12	WD-SUB A9-R02	WD,UPR CTL HB1030S1	52288-52302	1	
13	WD-SUB A9-R01	WD,UPR CTL HB1030S1A	52250-52302	1	
14	WD-SUB A9-R00	WD,UPR CTL HB1030S1A	Superseded; 52250-52302	1	WD-SUB A9-R02

UPPER CONTROL SUBPARTS, HB-1430

Item #	Part Number	Part Description	Notes	Qty	Superseded By
1	ELEC-601	JOYSTICK		1	
2	ELEC-620	PLUG,10C,PANEL MNT		1	
3	ELEC-133B	SWITCH,ROCKER DPDT		1	
4	1020302601	RAIL,CTL BOX LWR		1	
5	ELEC-071-KIT	EMERGENCY STOP BUTTON		1	
6	ELEC-602-KIT	BUTTON,PUSH GREEN		1	
6	ELEC-602-KIT2	BUTTON,PUSH GREEN	Use if unit is retrofitted with SUB A9-001	1	
8	LAS-M085-PCA	CONTROL BOX, UPPER		1	
9	LAS-M087-PCA	RAIL,CONTROL MNT CHANNEL		1	
10	WD-SUB A9-001	WD,UPR CTL HBLGS2		1	
11	WD-SUB A9-R03	WD,UPR CTL HBLGS1		1	

2.2 | JOYSTICK SUBPARTS

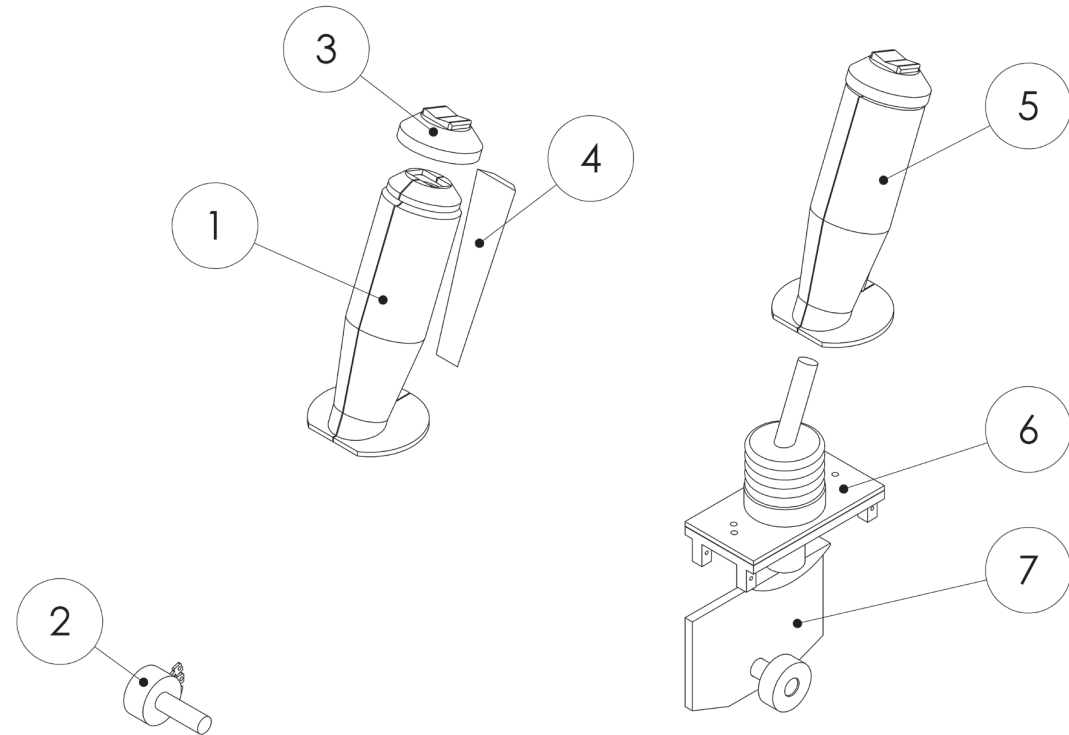


FIGURE 26: Joystick Subparts

JOYSTICK SUBPARTS HB-1030

Item #	Part Number	Part Description	Notes	Qty	Superseded By
1	ELEC-601-1	JOYSTICK HANDLE-LEFT & RIGHT		1	
2	ELEC-601-2	JOYSTICK POTENTIOMETER		1	
3	ELEC-601-4	JOYSTICK RUBBER BOOT ROCKR CAP		1	
4	ELEC-601-5	JOYSTICK-RED ENABLER TRIGGER		1	
5	ELEC-601-A	JOYSTICK HANDLE ASSEMBLY		1	
6	ELEC-601-B	JOYSTICK SHAFT ASSEMBLY		1	
7	ELEC-601-C	JOYSTICK POT & GEAR ASM		1	

JOYSTICK SUBPARTS HB-1430

Item #	Part Number	Part Description	Notes	Qty	Superseded By
1	ELEC-601-1	JOYSTICK HANDLE-LEFT & RIGHT		1	
2	ELEC-601-2	JOYSTICK POTENTIOMETER		1	
3	ELEC-601-4	JOYSTICK RUBBER BOOT ROCKR CAP		1	
4	ELEC-601-5	JOYSTICK-RED ENABLER TRIGGER		1	
5	ELEC-601-A	JOYSTICK HANDLE ASSEMBLY		1	
6	ELEC-601-B	JOYSTICK SHAFT ASSEMBLY		1	
7	ELEC-601-C	JOYSTICK POT & GEAR ASM		1	

2.3 | MAIN CABLE SUBPARTS

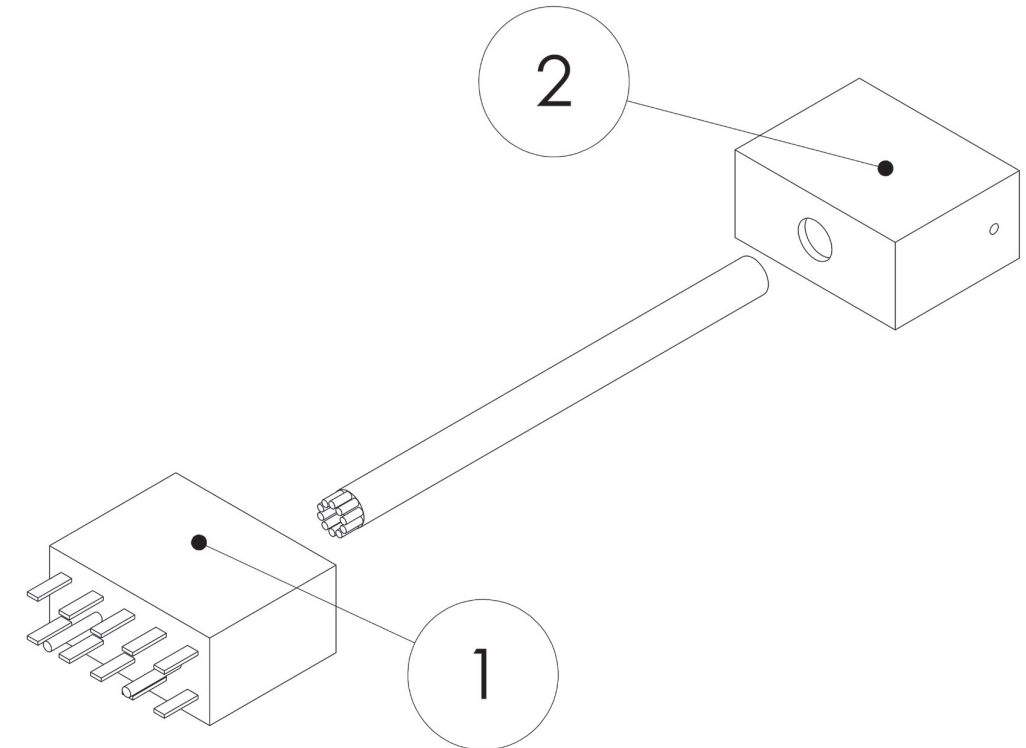


FIGURE 27: Main Cable Subparts

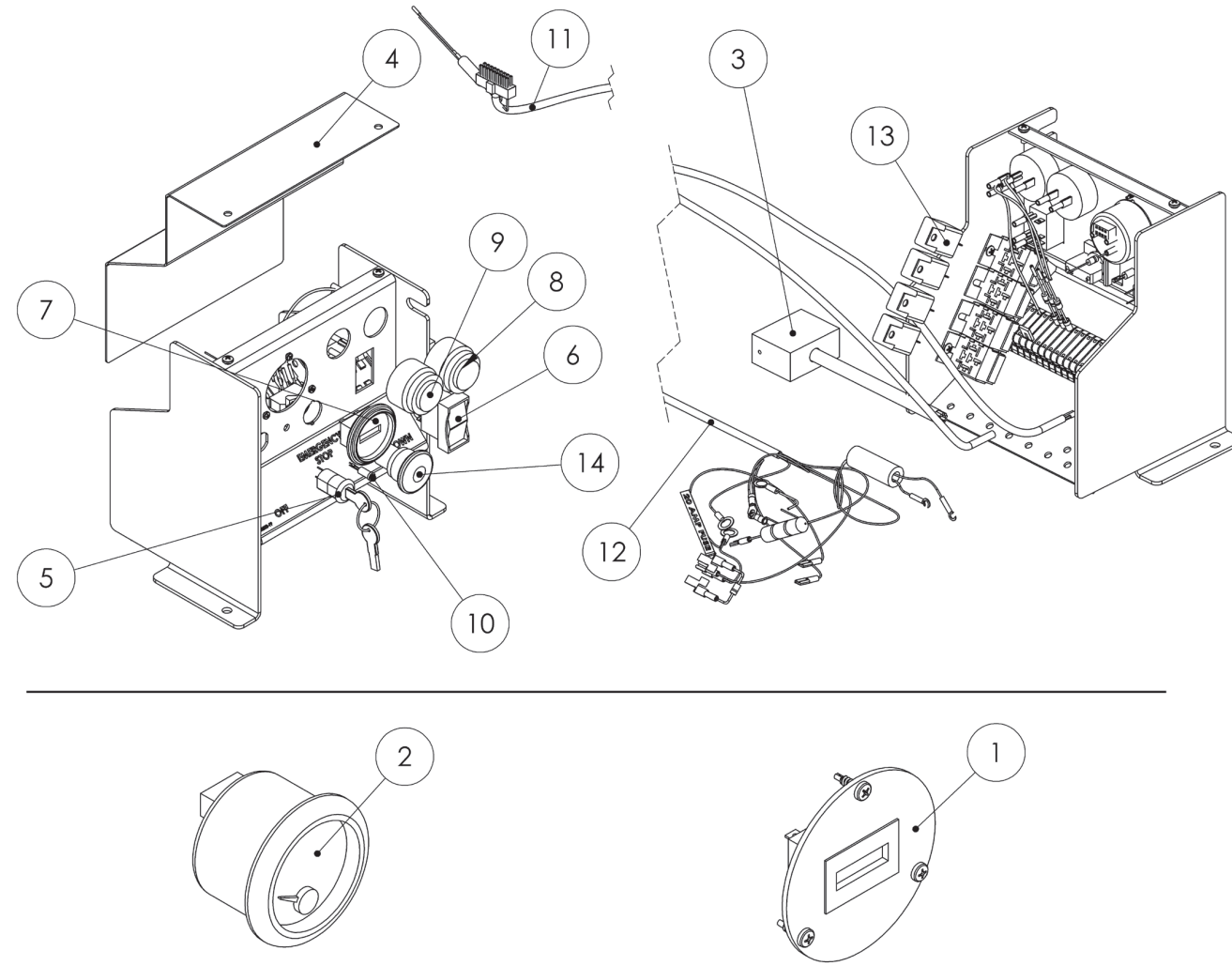
HB-1030 JOYSTICK SUBPARTS

Item #	Part Number	Part Description	Notes	Qty	Superseded By
1	ELEC-622	PLUG,10C,CABLE MNT		1	
2	ELEC-621	SOCKET,10C,CABLE MNT		1	

HB-1430 JOYSTICK SUBPARTS

Item #	Part Number	Part Description	Notes	Qty	Superseded By
1	ELEC-622	PLUG,10C,CABLE MNT		1	
2	ELEC-621	SOCKET,10C,CABLE MNT		1	

2.4 | LOWER CONTROL SUBPARTS



Item #	Part Number	Part Description	Notes	Qty	Superseded By
1	ELEC-610-1-KIT	METER,HOUR		1	
2	N/A	METER,HOUR & VOLT	Superseded	0	ELEC-610-1-KIT
3	SUB A8-P	PIGTAIL,10-PIN CONNECTOR, HB1		1	
4	LAS-M079	CONTROL PANEL COVER		1	
5	ELEC-073B	SWITCH,KEY SPST		1	
6	ELEC-133B	SWITCH,ROCKER DPDT		1	
7	ELEC-610	METER,HOUR & VOLT	Superseded	1	ELEC-610-1-KIT
8	ELEC-635	ALARM,SLOW PULSE		1	
9	ELEC-635-1	ALARM-FAST PULSE		1	
10	ELEC-636	LED, RED		1	
11	SUB A8-A	CTL,WIRE HARNESS TO MC		1	
12	SUB A8-B	CTL,WIRE HARNESS TO PUMP		1	
13	ELEC-631	RELAY,SPDT,ICE CUBE,24V DC		4	
14	ELEC-071-KIT	EMERGENCY STOP BUTTON		1	
15	WD-SUB A8-R01	WD,LWR CTL HB1030 S1	52250-52287	1	
16	WD-SUB A8-R02	WD,LWR CTL HB1030 S1	52288-52302	1	
17	WD-SUB A8-R03	WD,LWR CTL HB1030 S1	52303-52765	1	
18	WD-SUB A8-R04	WD,LWR CTL HB1030 S1	52766-53999	1	
19	WD-SUB A8A-R10	WD,LWR CTL HBLG S1	53182-53999	1	
21	WD-SUB A8A-R13	WD,LWR CTL HBLG S1	54000-54549	1	
22	WD-SUB A8A-R14	WD,LWR CTL HBLG S1	54550-54621	1	

FIGURE 28: HB-1030 Lower Control Subparts

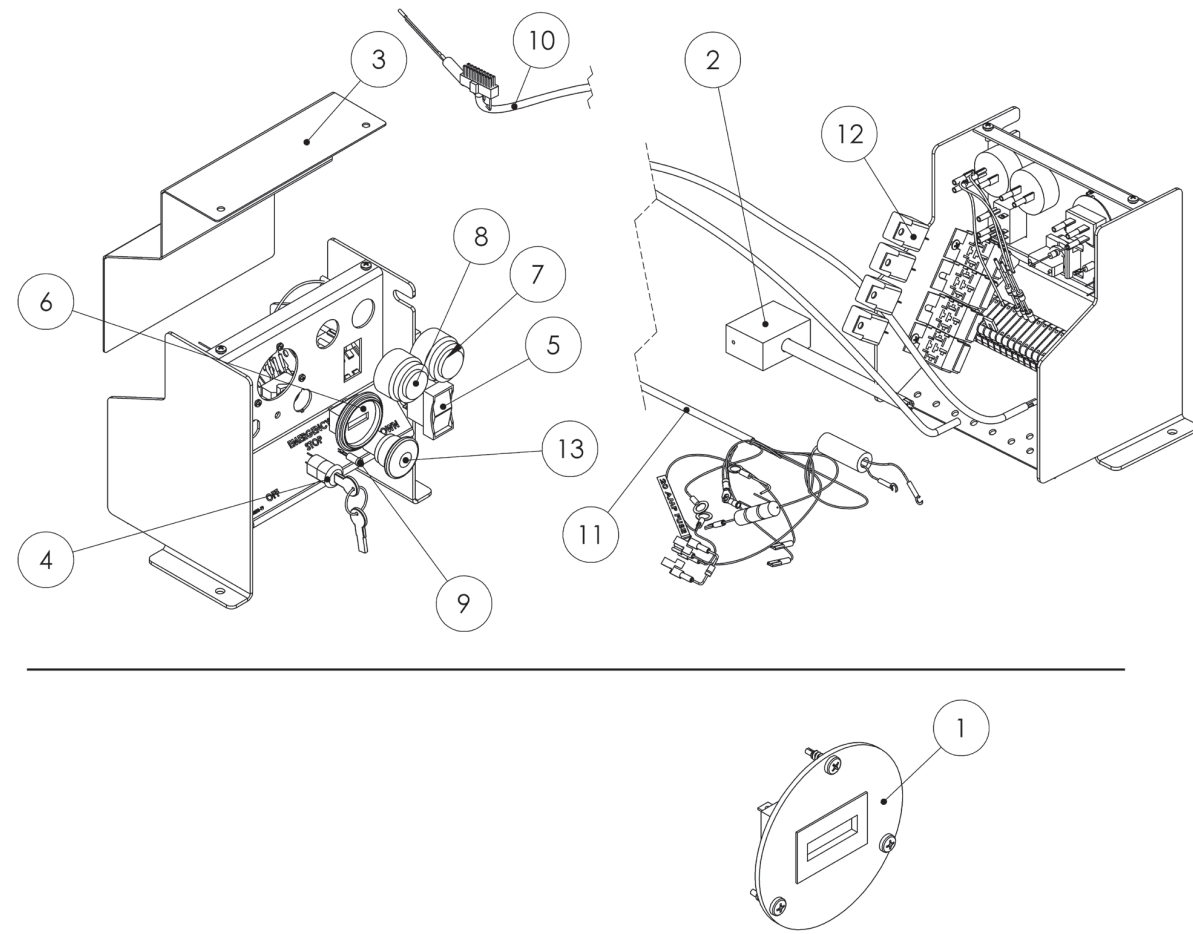


FIGURE 29: HB-1430 Lower Control Subparts

Item #	Part Number	Part Description	Notes	Qty	Superseded By
1	ELEC-610-1-KIT	METER,HOUR		1	
2	SUB A8-P	PIGTAIL,10-PIN CONNECTOR, HB1		1	
3	LAS-M079	CONTROL PANEL COVER		1	
4	ELEC-073B	SWITCH,KEY SPST		1	
5	ELEC-133B	SWITCH,ROCKER DPDT		1	
6	ELEC-610	METER,HOUR & VOLT	Obsolete	1	ELEC-610-1-KIT
7	ELEC-635	ALARM,SLOW PULSE		1	
8	ELEC-635-1	ALARM-FAST PULSE		1	
9	ELEC-636	LED, RED		1	
10	SUB A8-A	CTL,WIRE HARNESS TO MC		1	
11	SUB A8-B	CTL,WIRE HARNESS TO PUMP		1	
12	ELEC-631	RELAY,SPDT,ICE CUBE,24V DC		4	
13	ELEC-071-KIT	EMERGENCY STOP BUTTON		1	
14	WD-SUB A8A-R01	WD,LWR CTL HB1430 S1	6200-6322	1	

16	WD-SUB A8A-R10	WD,LWR CTL HBLG S1	6323-72109	1
17	WD-SUB A8A-R11	WD,LWR CTL HBLG S1	72110-72191	1
18	WD-SUB A8A-R13	WD,LWR CTL HBLG S1	72192-72499	1
19	WD-SUB A8A-R14	WD,LWR CTL HBLG S1	72500-D02-10020	1

2.5 | KEY SWITCH SUBPARTS

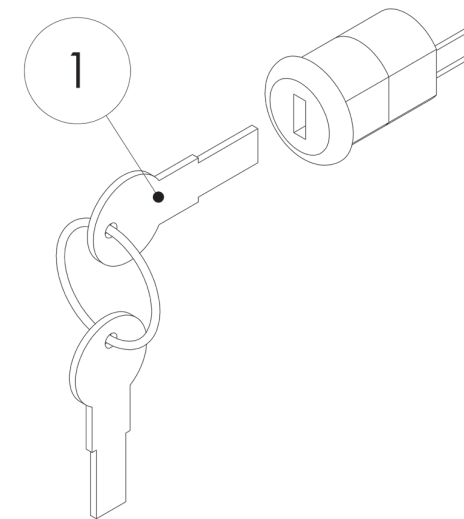


FIGURE 30: Key Switch Subparts

Item #	Part Number	Part Description	Notes	Qty	Superseded By
1	ELEC-073C	SWITCH KEYS,SPARE-SET OF 2		1	

3.1 | SCISSOR PARTS

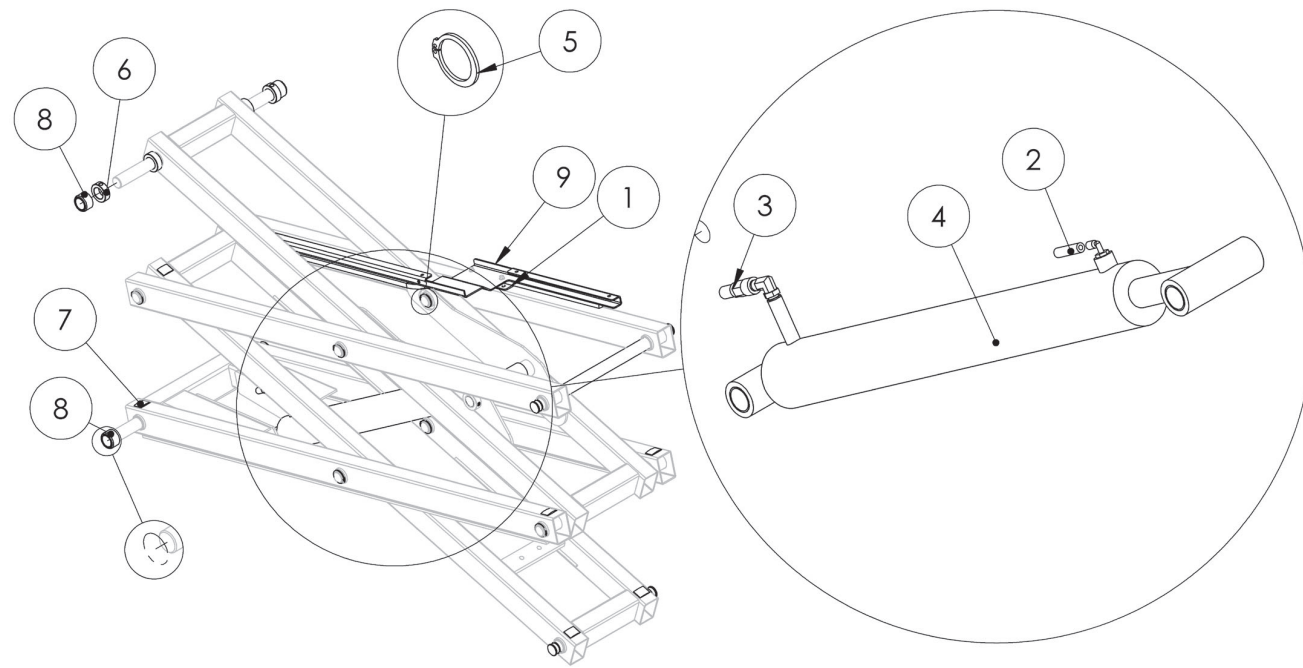


FIGURE 31: HB-1030 Scissors Parts

Item #	Part Number	Part Description	Notes	Qty	Superseded By
1	112-03-001-01	SCISSOR,CONDUIT UPR		1	
2	HYDR-022-3	LOW PRESSURE HOSE		102	
3	HYDR-600	HOSE ASM,PRECUT 98.75		1	
4	SUB A7-KIT	ASM,SCISSOR CYL 2X 10FT		1	
5	HARD-022	RET RING 1.25		12	
6	1021000102	SET COLLAR,1.25 ID		4	
7	MISC-007-01-KIT	1 3/8 MOLDING BOND		8	
8	BM-6006-1-KIT	ASM,ROLLER,1.00 W/DU		4	
9	LAS-L055	SCISSOR,CONDUIT UPR	Obsolete	1	112-03-001-01

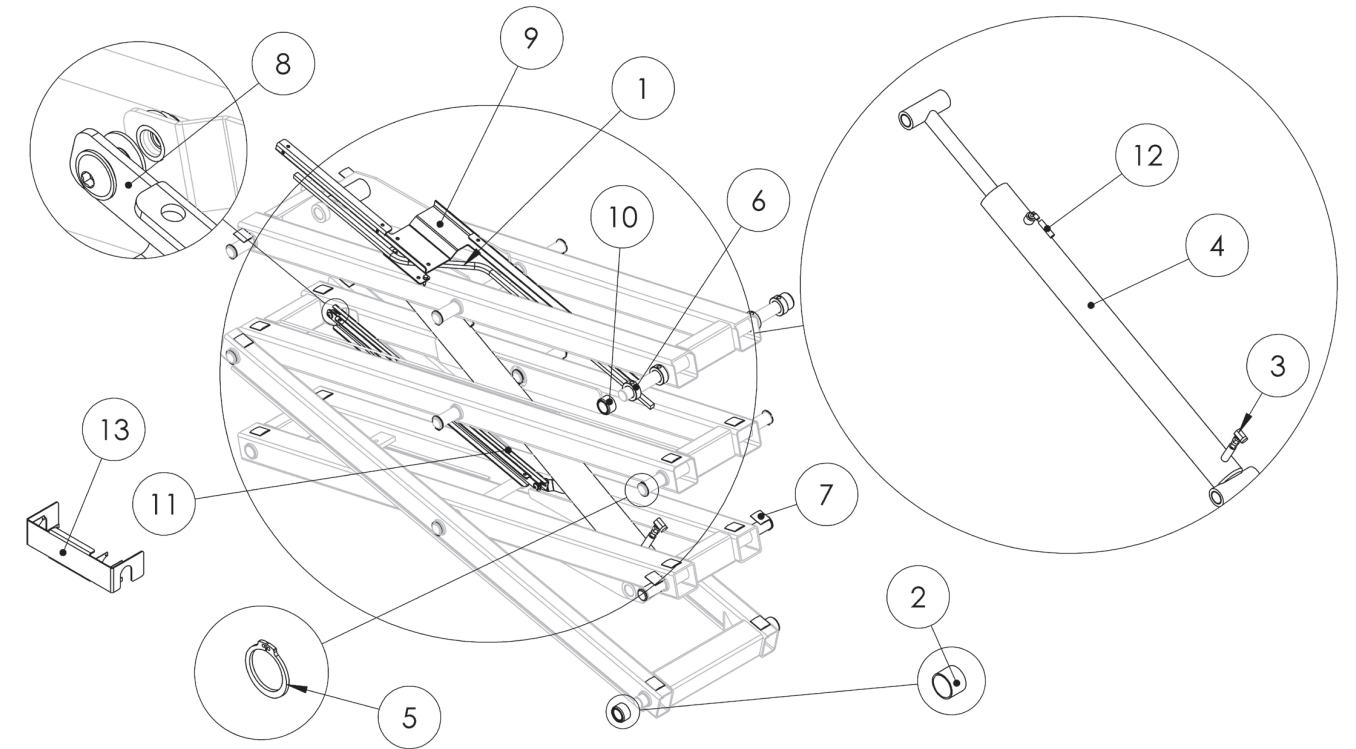


FIGURE 32: HB-1430 Scissors Parts

Item #	Part Number	Part Description	Notes	Qty	Superseded By
1	112-03-001-01	SCISSOR,CONDUIT UPR		1	
2	HARD-001	DU BEARING, 1.25 ID, 1 LENGTH		1	
3	HYDR-600-1B	HOSE ASM,PRECUT HB1430 CYL END		1	
4	SUB A7-1-KIT	ASM,SCISSOR CYL 3X/4X 14/18		1	
5	HARD-022	RET RING 1.25		16	
6	1021000102	SET COLLAR,1.25 ID		4	
7	MISC-007-001-KIT	1 3/8 MOLDING BOND		16	
8	LAS-L056	SCISSOR,CONDUIT PARALLEL	Obsolete	1	LAS-L061-EC
9	LAS-L055	SCISSOR,CONDUIT UPR	Obsolete	1	112-03-001-01
10	BM-6006-1-KIT	ASM,ROLLER,1.00 W/DU		4	
11	LAS-L061-EC	SCISSOR,CONDUIT PARALLEL		1	
12	HYDR-022-3	LOW PRESSURE HOSE		163	
13	1022000750	SCISSOR,BEAM REPAIR KIT		1	

3.2 | CYLINDER SUBPARTS

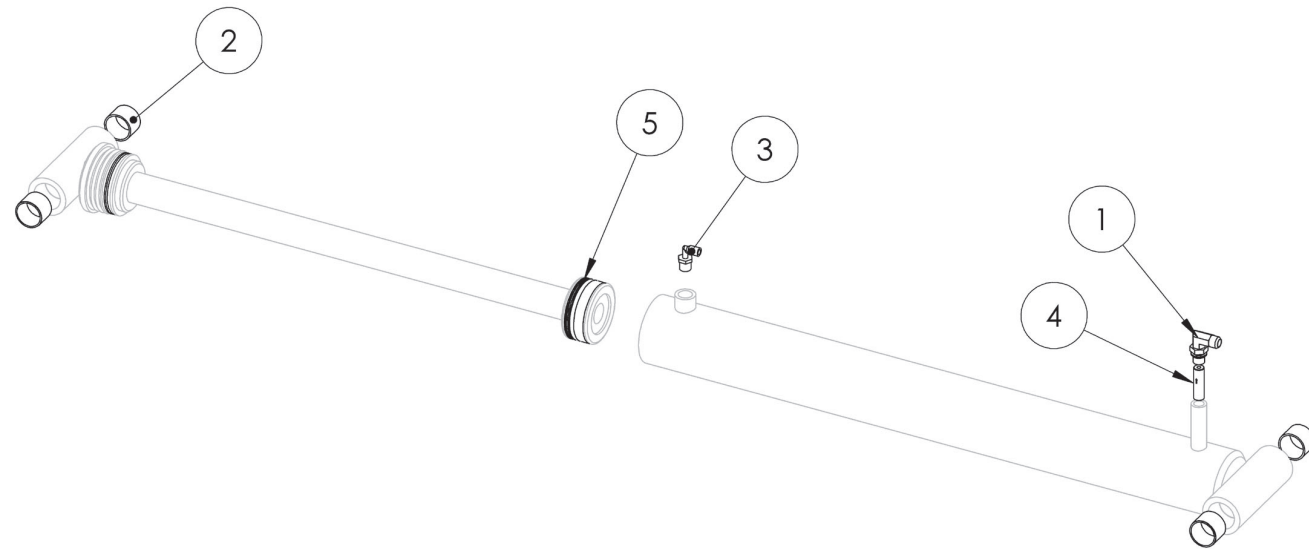


FIGURE 33: HB-1030 Cylinder Sub Parts

Item #	Part Number	Part Description	Notes	Qty	Superseded By
1	HYDR-035	FITTING,ELB,JICM9/16-SAEORM#6		1	
2	HARD-001	DU BEARING, 1.25 ID, 1 LENGTH		4	
3	HYDR-019	FITTING,ELB,NPTM 3/8-1/4 PUSH		1	
4	HYDR-033	VELOCITY FUSE-7.0 GPM		1	
5	HYDR-007-1K	CYL,SEAL KIT 3.0 B,1.5 R,ENE		1	

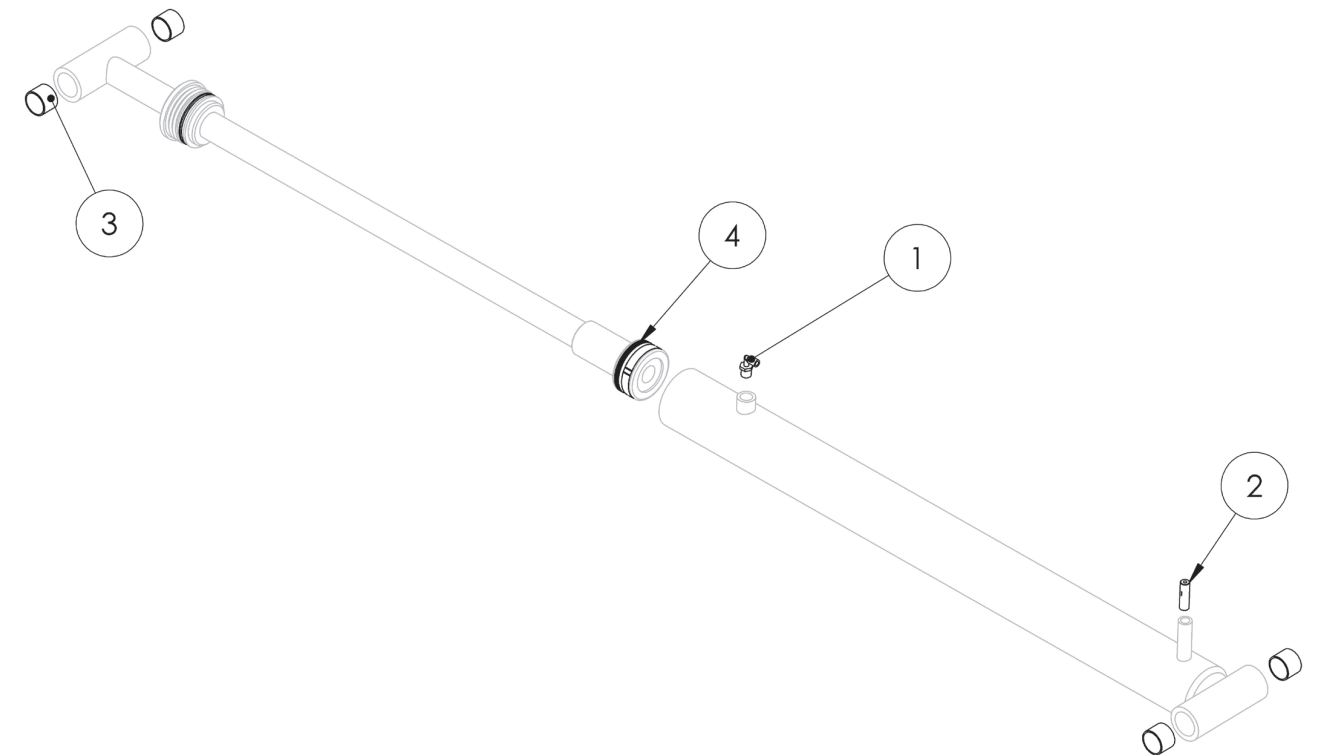


FIGURE 34: HB-1430 Cylinder Sub Parts

Item #	Part Number	Part Description	Notes	Qty	Superseded By
1	HYDR-019	FITTING,ELB,NPTM 3/8-1/4 PUSH		1	
2	HYDR-033	VELOCITY FUSE-7.0 GPM		1	
3	HARD-001	DU BEARING, 1.25 ID, 1 LENGTH		4	
4	HYDR-041K	CYL,SEAL KIT 3.0 B, 1.5 R		1	

SECTION 4 | PLATFORM & RAILS

4.1 | PLATFORM & RAIL PARTS

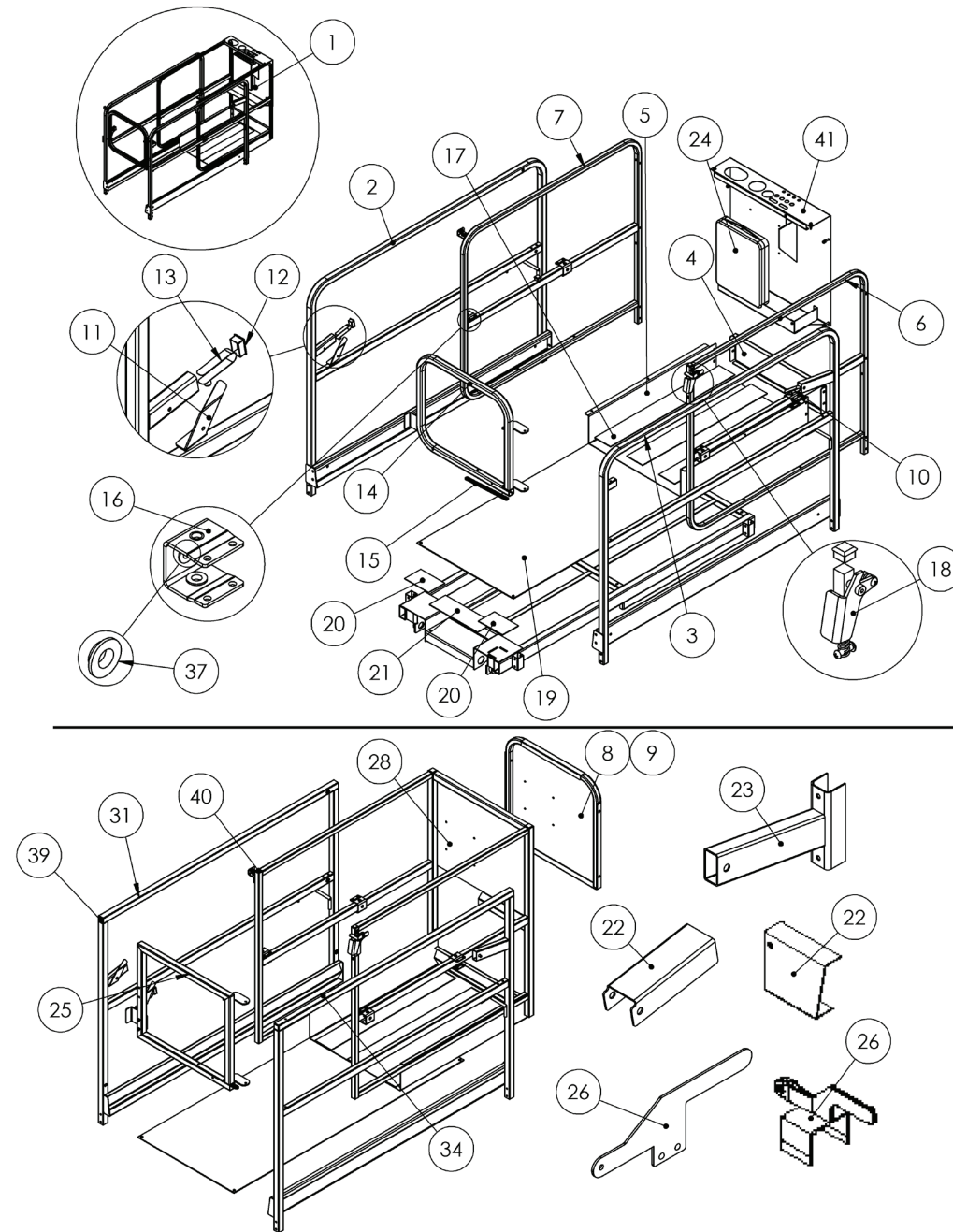


FIGURE 35: Platform & Railing Parts, HB-1030

HB-1030 PLATFORM & RAIL PARTS

Item #	Part Number	Part Description	Notes	Qty	Superseded By
1	112-21-203-50-K	ASM,RAIL W/SO,RND		1	
1	SUB C3-KIT	ASM,RAIL W/SO,RND	Superseded;	0	112-21-203-50-K
2	HB-WC-L-D-01-PC	RAIL,WC L,D (RND)		1	

3	HB-WC-R-D-02-PC	RAIL,WC R,D (RND)		1	
4	LAS-M135-PC	RAIL,SO TOE BOARD,D		1	
5	LAS-M133-PC	RAIL,SO FLOOR,D		1	
6	HB-WC-SO-02R-PC	RAIL,SO R,D (RND)		1	
7	HB-WC-SO-02L-PC	RAIL,SO L,D (RND)		1	
8	LAS-M132-PC	RAIL,SO FRONT PANEL	Superseded;	0	112-21-211-50-K
9	CUT-M038-PC	RAIL,SO PANEL TUBE	Superseded;	0	112-21-211-50-K
10	HARD-067	SNAP BUTTON,0.38 SINGLE END		1	
11	LAS-M089-PC	RAIL,GATE LATCH		1	
12	HARD-634	PLUG,1x1.5,BLACK		1	
13	HARD-066	SNAP BUTTON,0.50 SINGLE END		1	
14	HB-WC-G-01-PC	RAIL,GATE		1	
15	HARD-606-1	ORING,0.19X12.5		1	
16	LAS-M078-1-KIT	ASM,RAIL SLIDE CHNL W/WASHERS		4	
17	MISC-031-01-KIT	ANTI-SLIP TAPE,4.00,31.00 LENG		3	
18	1002100692-KIT	ASM,RAIL SLIDE LOCK		1	
19	HB-AL	PF,DECK		1	
20	MISC-031-03-KIT	ANTI-SLIP TAPE,4.00,6.00 LENG		2	
21	MISC-031-02-KIT	ANTI-SLIP TAPE,4.00,12.00 LENG		1	
22	LAS-M048	RAIL,GATE LATCH		1	
23	HB-JOY-BRKT	JOYSTICK MNT BRKT,RETRO		1	
24	HARD-603	MANUAL BOX		1	
25	HB-WC-G-KIT	RAIL,GATE (SQR)		1	
26	LAS-M075-PC	RAIL,SLIDE BRAKE HANDLE		1	
28	HB-WC-SO-D-KIT	RAIL,SO,D (SQR),42,4 TB	Superseded; 53152-54621	0	112-21-203-50-K
28	HB-WC-SO-D-KIT2	RAIL,SO,D (SQR),42,6 TB	Superseded; 52250-52303	0	112-21-203-50-K
28	HB-WC-SO-D-KIT3	RAIL,SO,D (RND),42,4 TB	Superseded; 52250-52303	0	112-21-203-50-K
28	HB-WC-SO-KIT	RAIL,SO,E (SQR),43,5,6 TB	Superseded; 52500-53181	0	112-21-203-50-K
31	SUB C3-1-L	RAIL,WC L,D (SQR),42,4 TB	Superseded; 52250-52303	0	112-21-203-50-K
31	SUB C3-2-L	RAIL,WC L,D (SQR),42,6TB	Superseded; 53152-54621	0	112-21-203-50-K
31	SUB C3-L	RAIL,WC L,E (SQR),43,5,6 TB	Superseded; 52500-53181	0	112-21-203-50-K
34	SUB C3-1-R	RAIL,WC R,D (SQR),42,4 TB	Superseded; 52250-52303	0	112-21-203-50-K
34	SUB C3-2-R	RAIL,WC R,D (SQR),42,6 TB	Superseded; 53152-54621	0	112-21-203-50-K
34	SUB C3-R	RAIL,WC R,E (SQR),43,5,6 TB	Superseded; 52500-53181	0	112-21-203-50-K
37	HARD-626	WASH,0.38ID,0.5D,0.19THK,NYL	Superseded; Obsolete	0	HARD-626-3
37	HARD-626-3	WASH,0.38ID,0.5D,0.19THK,NYL		1	
39	HARD-091	PLUG,1.25 SQR,BLACK		1	
40	HARD-092	PLUG,1 SQR,BLACK		1	
41	112-21-211-50-K	ASM,RAIL TOOL TRAY		1	

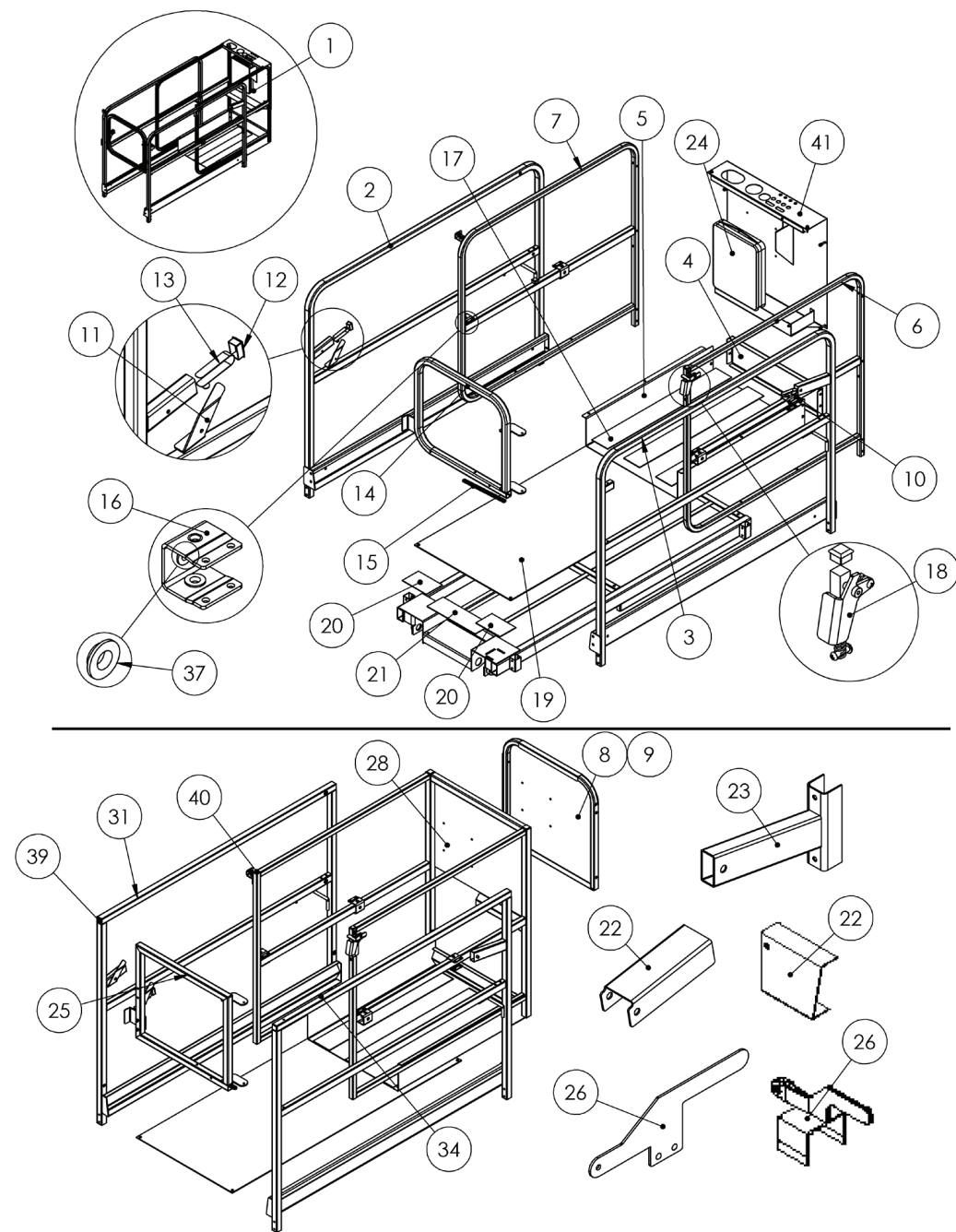


FIGURE 36: Platform & Railing Parts, HB-1430

HB-1430 PLATFORM & RAIL PARTS

Item #	Part Number	Part Description	Notes	Qty	Superseded By
1	112-21-203-50-K	ASM,RAIL W/SO,RND		1	
1	SUB C3-KIT	ASM,RAIL W/SO,RND	Superseded;	0	112-21-203-50-K
2	HB-WC-L-D-01-PC	RAIL,WC L,D (RND)	10014-10020	1	
3	HB-WC-R-D-02-PC	RAIL,WC R,D (RND)	10014-10020	1	

4	LAS-M135-PC	RAIL,SO TOE BOARD,D		1	
5	LAS-M133-PC	RAIL,SO FLOOR,D		1	
6	HB-WC-SO-02R-PC	RAIL,SO R,D (RND)	10014-10020	1	
7	HB-WC-SO-02L-PC	RAIL,SO L,D (RND)	10014-10020	1	
8	LAS-M132-PC	RAIL,SO FRONT PANEL	Superseded;	0	112-21-211-50-K
9	CUT-M038-PC	RAIL,SO PANEL TUBE	Superseded;	0	112-21-211-50-K
10	HARD-067	SNAP BUTTON,0.38 SINGLE END		1	
11	LAS-M089-PC	RAIL,GATE LATCH		1	
12	HARD-634	PLUG,1x1.5,BLACK		1	
13	HARD-066	SNAP BUTTON,0.50 SINGLE END		1	
14	HB-WC-G-01-PC	RAIL,GATE		1	
15	HARD-606-1	ORING,0.19X12.5		1	
16	LAS-M078-1-KIT	ASM,RAIL SLIDE CHNL W/WASHERS		4	
17	MISC-031-01-KIT	ANTI-SLIP TAPE,4.00,31.00 LENG		3	
18	1002100692-KIT	ASM,RAIL SLIDE LOCK		1	
19	HB-AL	PF,DECK		1	
20	MISC-031-03-KIT	ANTI-SLIP TAPE,4.00,6.00 LENG		2	
21	MISC-031-02-KIT	ANTI-SLIP TAPE,4.00,12.00 LENG		1	
22	LAS-M048	RAIL,GATE LATCH		1	
23	HB-JOY-BRKT	JOYSTICK MNT BRKT,RETRO		1	
24	HARD-603	MANUAL BOX		1	
25	HB-WC-G-KIT	RAIL,GATE (SQR)		1	
26	LAS-M075-PC	RAIL,SLIDE BRAKE HANDLE		1	
28	HB-WC-SO-D-KIT	RAIL,SO,D (SQR),42,4 TB	Superseded; NA-NA	0	112-21-203-50-K
28	HB-WC-SO-D-KIT2	RAIL,SO,D (SQR),42,6 TB	Superseded; 6336-74000	0	112-21-203-50-K
28	HB-WC-SO-D-KIT3	RAIL,SO,D (RND),42,4 TB	Superseded; 10014-10020	0	112-21-203-50-K
28	HB-WC-SO-KIT	RAIL,SO,E (SQR),43.5,6 TB	Superseded; 6200-6335	0	112-21-203-50-K
31	SUB C3-1-L	RAIL,WC L,D (SQR),42,4 TB	Superseded; NA-NA	0	112-21-203-50-K
31	SUB C3-2-L	RAIL,WC L,D (SQR),42,6TB	Superseded; 6336-74000	0	112-21-203-50-K
31	SUB C3-L	RAIL,WC L,E (SQR),43.5,6 TB	Superseded; 6200-6335	0	112-21-203-50-K
34	SUB C3-1-R	RAIL,WC R,D (SQR),42,4 TB	Superseded; NA-NA	0	112-21-203-50-K
34	SUB C3-2-R	RAIL,WC R,D (SQR),42,6 TB	Superseded; 6336-74000	0	112-21-203-50-K
34	SUB C3-R	RAIL,WC R,E (SQR),43.5,6 TB	Superseded; 6200-6335	0	112-21-203-50-K
37	HARD-626	WASH,0.38ID,0.5D,0.19THK,NYL	Superseded; Obsolete	0	HARD-626-3
37	HARD-626-3	WASH,0.38ID,0.5D,0.19THK,NYL		1	
39	HARD-091	PLUG,1.25 SQR,BLACK		1	
40	HARD-092	PLUG,1 SQR,BLACK		1	
41	112-21-211-50-K	ASM,RAIL TOOL TRAY		1	

5.1 | DECALS

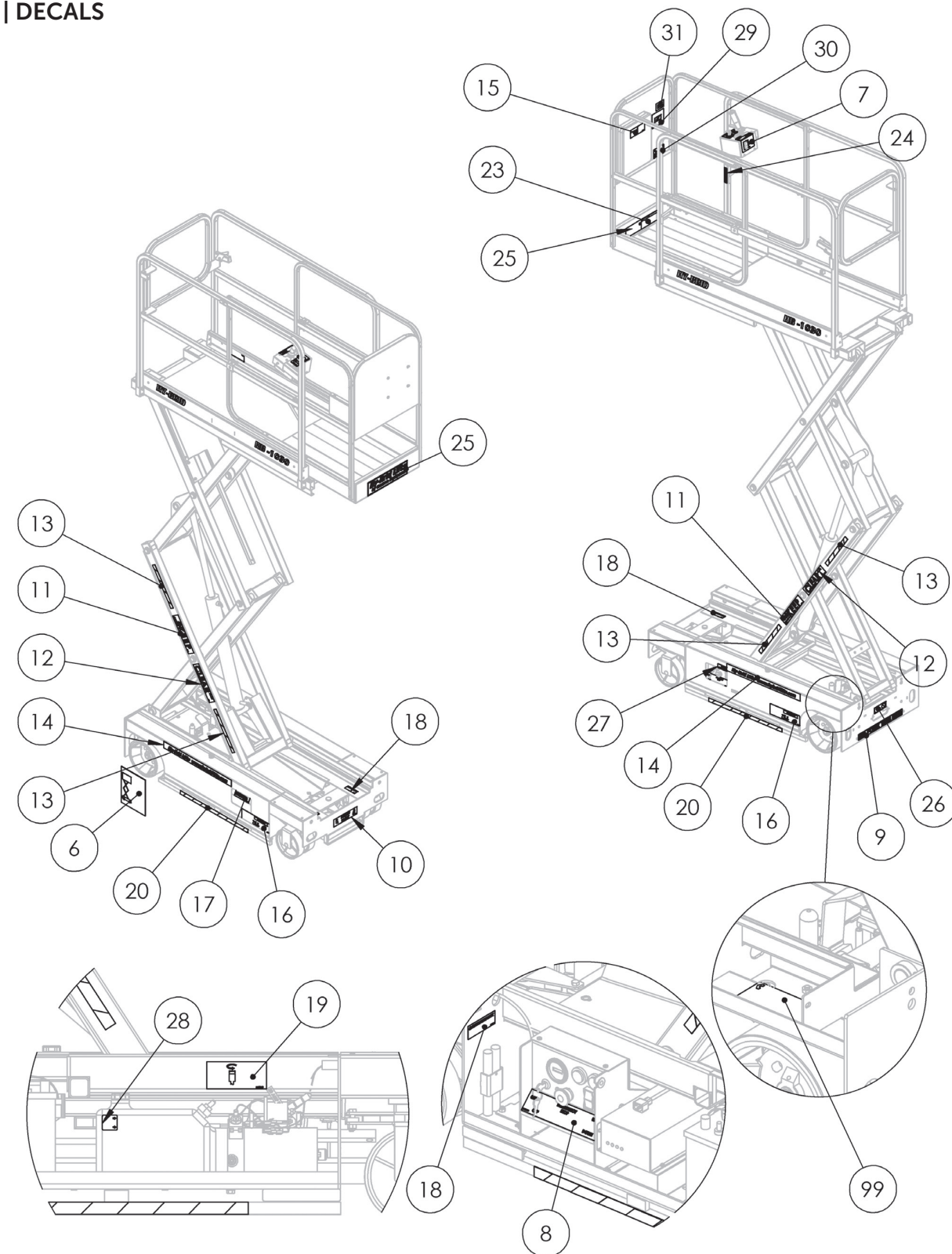


FIGURE 37: Decals,HB-1030

Item #	Part Number	Part Description	Notes	Qty	Superseded By
1	DE600	KIT,DECALS HB1030/1430 S1	Superseded; Obsolete	1	DE600-K
2	DE600-02-KIT	DECAL,DANGERS RETROFIT,10/14		1	
3	DE600-02-KIT-50	DECAL,DANGERS RETROFIT,1030		1	
4	DE600-K	DECALS,HB-1030/1430 S1,KIT		1	
5	DE600-K50	DECALS,HB-1030 S1 KIT		1	
6	SUPO-656	MANUAL ADDENDUM,HB S2 DECALS		1	
7	DE624A	DECAL,CTL UPR		1	
8	DE600-19	DECAL,CTL LWR		1	
9	DE611	DECAL,NO FORK		1	
10	DE600-12	FORK POCKET DECAL		1	
11	DE707	DECAL,KEEP		2	
12	DE708	DECAL,CLEAR		2	
13	DE717-62	DECAL,SAFETY STRIPE (12.00)		4	
14	DE822	DECAL,WEBSITE			
15	DE600E-10	DECAL,MANUAL BOX		1	
16	DE709	DECAL, LWR		2	
17	DE600-28	DECAL,E-DOWN LOCATION		1	
18	DE600E-14	DECAL,MAINT LOCK		3	
19	DE600-29	DECAL,E-DOWN		1	
20	DE717-61	DECAL,SAFETY STRIPE (24.00)		2	
21	DE732	DECAL,CAPACITY,750#,2P,I,W/SO		2	
22	DE603	DECAL,MODEL HB-1030		2	
23	DE706	DECAL,UPR HB		1	
24	DE746	DECAL,LANYARD ATTACHMENT		2	
25	DE821	DECAL,LOGO HY-BRID		1	
26	DE747	DECAL,BRAKE RELEASE/NO TOW		1	
27	DE753	DECAL,CHARGER CORD		1	
28	DE679	DECAL,HYDR FLUID		1	
29	DE777	DECAL,BATT CHARGE DAILY		1	
30	DE649	DECAL,CAPACITY, TOOL TRAY	Not used unless tool tray option installed	1	
31	DE782	DECAL,MADE IN USA		1	
32	DE600E-02	DECAL,DANGERS INDOOR ONLY	Superseded;	1	DE600-02-KIT
33	DE600E-05	DECAL,DANGER TIP	Superseded;	1	DE706
34	DE600E-06	REPLACE OEM ONLY DECAL	Superseded;	2	DE709
35	DE600E-18	DECAL,BATT WEIGHT	Superseded;	2	DE709

36	DE619	DECAL,CHARGER CORD	Superseded;	1	DE753
37	DE626	DECAL,PH WARNING	Superseded;	2	DE709
38	DE600-06	DECAL,TIRE REPLACEMENT	Superseded;	2	DE709
39	DE600-11	E-DOWN TURN BRASS DECAL	Superseded;	1	DE600-29
40	DE600-18	DECAL,BATT WEIGHT	Superseded;	2	DE600E-18
41	DE600-14	DECAL,MAINT LOCK	Superseded;	3	DE600E-14
43	DE600-08	DECAL,BATT GAS WARNING	Superseded;	1	DE709
44	DE600-07	DECAL,DO NOT POWERWASH	Superseded;	1	N/A
45	DE617	DECAL,CHARGER CORD	Superseded;	1	DE753
46	DE652	DECAL,WEBSITE	Superseded;	1	DE822
47	DE612	DECAL,PH WARNING	Superseded;	1	DE626
48	DE600-15	DECAL,E-DOWN LOCATION	Superseded;	1	DE600-28
49	DE600-16A	DECAL,KEEP	Superseded;	2	DE707
50	DE600-16B	DECAL,CLEAR	Superseded;	2	DE708
51	DE600-17	DECAL,SAFETY STRIPE (12.00)	Superseded;	4	DE717-62
52	DE600-21	DECAL,BRAKE RELEASE/NO TOW	Superseded;	1	DE747
53	DE608	DECAL,WWW.HYBRIDLIFTS	Superseded;	2	DE652
54	DE609	DECAL,HYBRID LIFTS	Superseded;	2	DE652
55	DE616	DECAL,NO FORK CAUTION		2	
56	DE600-09	DECAL, ELECTROCUTION HAZARD	Superseded;	2	DE706
57	DE-604	DECAL,CTL UPR	Superseded;	1	DE624A
58	DE600-03	DECAL,CAPACITY 750#,2P,I, W/SO	Superseded;	3	DE732
59	DE613	DECAL,LANYARD ATTACHMENT	Superseded;	1	DE746
60	DE600-04	DECAL,PLAT EXT & GATE	Superseded;	1	DE706
61	DE600-10	DECAL,MANUAL BOX	Superseded;	1	DE600E-10
62	DE600-05	DECAL,DANGER TIP	Superseded;	1	DE600E-05
63	DE600-02	DECAL,DANGERS	Superseded;	1	DE600-02-KIT
64	DE600-01	DECAL,WARNINGS	Superseded;	1	DE706
65	DE600-22	DECAL,BRAKE RELEASE/NO TOW	Superseded;	1	DE747
99	N/A	HB1030 SERIAL NUMBER PLATE		1	

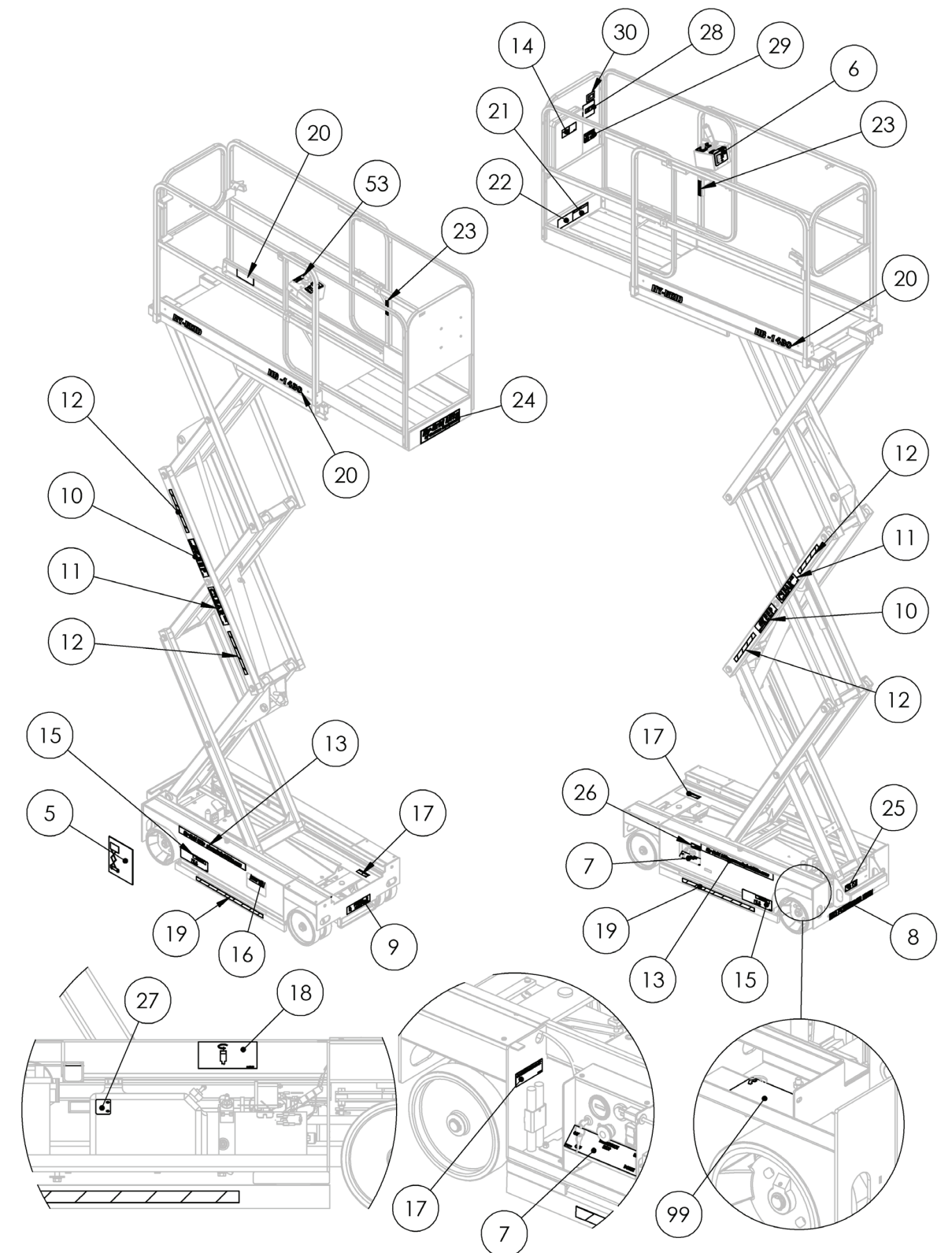


FIGURE 38: Decals,HB-1430

SECTION 5 | DECALS

Item #	Part Number	Part Description	Notes	Qty	Superseded By
1	DE600	KIT,DECALS HB1030/1430 S1	Superseded; Obsolete	1	DE600-K55
2	DE600-02-KIT	DECAL,DANGERS RETROFIT,10/14		1	
3	DE600-02-KIT-55	DECAL,DANGERS RETROFIT,1430		1	
4	DE600-K	DECALS,HB-1030/1430 S1,KIT	Includes extras-for either model	1	
4	DE600-K54	DECALS,HB-1430 S1 KIT		2	
5	SUPO-656	MANUAL ADDENDUM,HB S2 DECALS		1	
6	DE624A	DECAL,CTL UPR		1	
7	DE600-19	DECAL,CTL LWR		1	
8	DE611	DECAL,NO FORK		1	
9	DE600-12	FORK POCKET DECAL		1	
10	DE707	DECAL,KEEP		2	
11	DE708	DECAL,CLEAR		2	
12	DE717-62	DECAL,SAFETY STRIPE (12.00)		4	
13	DE822	DECAL,WEBSITE		2	
14	DE600E-10	DECAL,MANUAL BOX		1	
15	DE709	DECAL, LWR		2	
16	DE600-28	DECAL,E-DOWN LOCATION		1	
17	DE600E-14	DECAL,MAINT LOCK		3	
18	DE600-29	DECAL,E-DOWN		1	
19	DE717-61	DECAL,SAFETY STRIPE (24.00)		2	
20	DE603-1	DECAL,MODEL HB-1430		2	
21	DE706	DECAL,UPR HB		1	
22	DE733	DECAL,CAPACITY,670#,2P,I,W/SO		2	
23	DE746	DECAL,LANYARD ATTACHMENT		2	
24	DE821	DECAL,LOGO HY-BRID		1	
25	DE747	DECAL,BRAKE RELEASE/NO TOW		1	
26	DE753	DECAL,CHARGER CORD		1	
27	DE679	DECAL,HYDR FLUID		1	
28	DE777	DECAL,BATT CHARGE DAILY		1	
29	DE649	DECAL,CAPACITY, TOOL TRAY	Not used unless tool tray option installed	1	
30	DE782	DECAL,MADE IN USA		1	
31	DE600E-02	DECAL,DANGERS INDOOR ONLY	Superseded;	1	DE600-02-KIT
32	DE600E-05	DECAL,DANGER TIP	Superseded;	1	DE706
33	DE600E-06	REPLACE OEM ONLY DECAL	Superseded;	2	DE709
34	DE600E-18	DECAL,BATT WEIGHT	Superseded;	2	DE709

SECTION 5 | DECALS

35	DE626	DECAL,PH WARNING	Superseded;	2	DE709
36	DE600-11	E-DOWN TURN BRASS DECAL	Superseded;	1	DE600-29
38	DE600-03A	DECALCAPACITY,670#,2P,I,W/SO	Superseded;	3	DE733
39	DE613	DECAL,LANYARD ATTACHMENT	Superseded;	1	DE746
40	DE601	DECAL,LOGO HY-BRID	Superseded;	1	DE821
41	DE600-04	DECAL,PLAT EXT & GATE	Superseded;	1	DE706
42	DE600-10	WARNING-IMPROPER USE DECAL	Superseded;	1	DE600E-10
43	DE600-05	DECAL,DANGER TIP	Superseded; Obsolete	1	DE600E-05
44	DE600-02	DECAL,DANGERS	Superseded;	1	DE600-02-KIT
45	DE600-01	DECAL,WARNINGS	Superseded;	1	DE706
46	DE600-22	DECAL,BRAKE RELEASE/NO TOW	Superseded;	1	DE747
47	DE600-08	DECAL,BATT GAS WARNING	Superseded;	1	DE709
48	DE600-07	DECAL,DO NOT POWERWASH	Superseded;	1	N/A
49	DE617	DECAL,CHARGER CORD	Superseded;	1	DE753
50	DE652	DECAL,WEBSITE	Superseded;	1	DE822
51	DE612	DECAL,PH WARNING	Superseded; Obsolete	1	DE626
52	DE600-15	DECAL,E-DOWN LOCATION	Superseded; Obsolete	1	DE600-28
53	DE-604	DECAL,CTL UPR	Superseded;	1	DE624A
54	DE608	DECAL,WWW.HYBRIDLIFTS	Superseded;	2	DE652
55	DE609	DECAL,HYBRID LIFTS	Superseded;	2	DE652
56	DE600-16A	DECAL,KEEP	Superseded;	4	DE707
57	DE600-16B	DECAL.CLEAR	Superseded;	4	DE708
58	DE600-17	DECAL,SAFETY STRIPE (12.00)	Superseded;	8	DE717-62
59	DE600-21	DECAL,BRAKE RELEASE/NO TOW	Superseded;	1	DE747
60	DE600-09	DECAL, ELECTROCUTION HAZARD	Superseded;	2	DE706
99	N/A	HB1430 SERIAL NUMBER PLATE		1	

6.1 | OPTIONS & MISCELLANEOUS

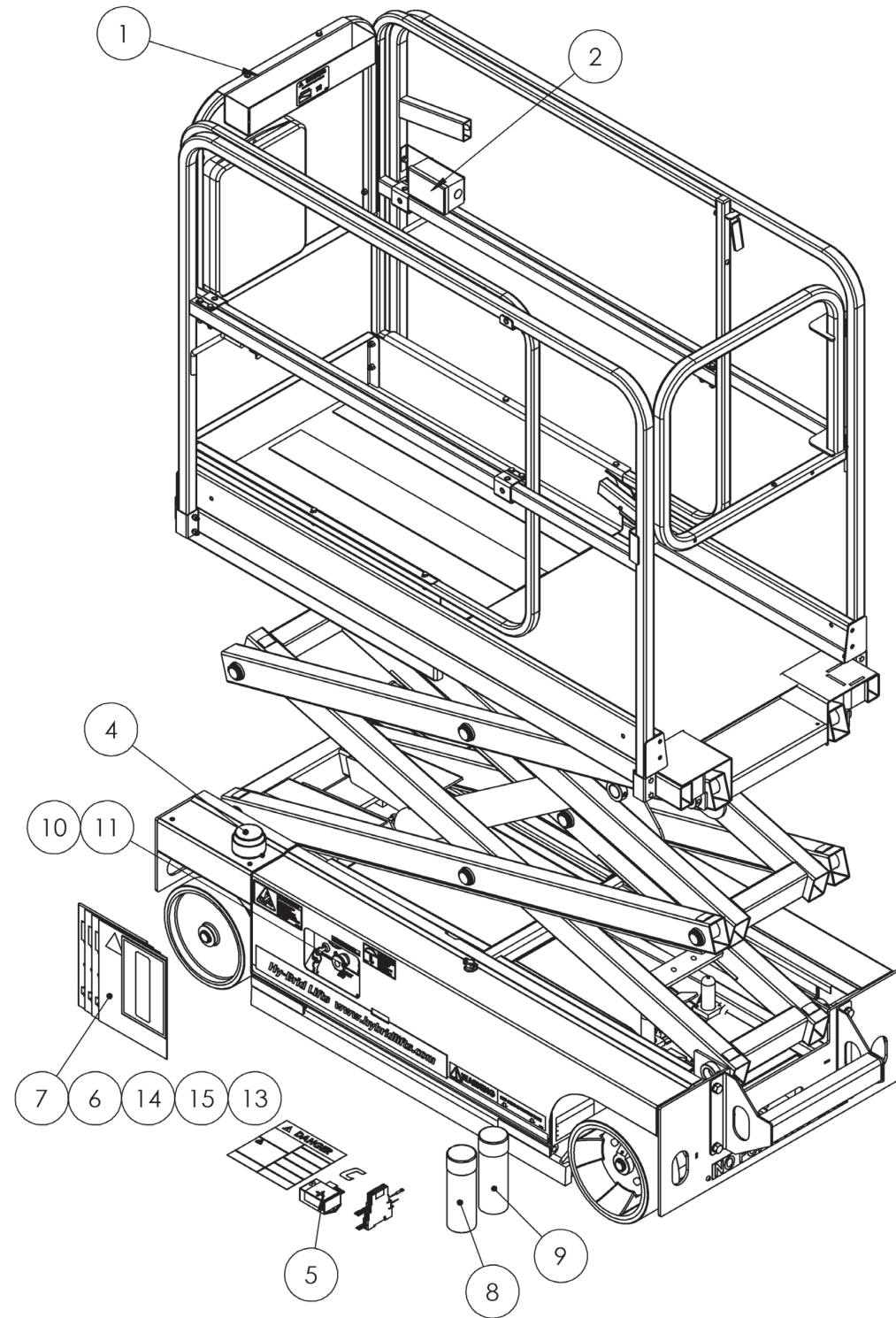


FIGURE 39: Options & Misc, HB-1030

Item #	Part Number	Part Description	Notes	Qty	Superseded By
1	1002000650-KIT	ASM,TOOL TRAY, HB		0	112-21-211-50-K
1	112-21-211-50-K	ASM,RAIL,TOOL TRAY		1	
2	1022100950-KIT	PTP,HB1030		1	
3	1022101150	BEACON,FLASHING AMBER HBLGS1	Obsolete	1	1022101550
4	1022101550	BEACON,FLASHING AMBER HBLGS1		1	
5	ELEC-629-CKIT	CONVERSION KIT:ANSI/CSA HBS1		1	
6	MISC-600	MANUAL,AERIAL PF		1	
7	MISC-601	MANUAL,RESPONSIBILITIES A92.6		1	
8	MISC-624	PAINT,WHITE TOUCH-UP SPRAY		1	
9	MISC-625	PAINT,YELLOW TOUCH-UP SPRAY		1	
10	SUB A8-J	ASM,MOTION ALARM KIT,HB S1		1	
11	SUB A8-K	ASM,TILT INTERLOCK,HBS1		1	
12	SUB A8-N	BEACON,FLASHING AMBER HBLGS1	Obsolete	1	1022101550
13	SUPO-602	MANUAL,OP & MAINR,HBLG S1		1	
14	SUPO-656	MANUAL ADDENDUM,HB S2 DECALS		1	
15	SUPO-690	MANUAL,PARTS HB-1030/1430 S1		1	

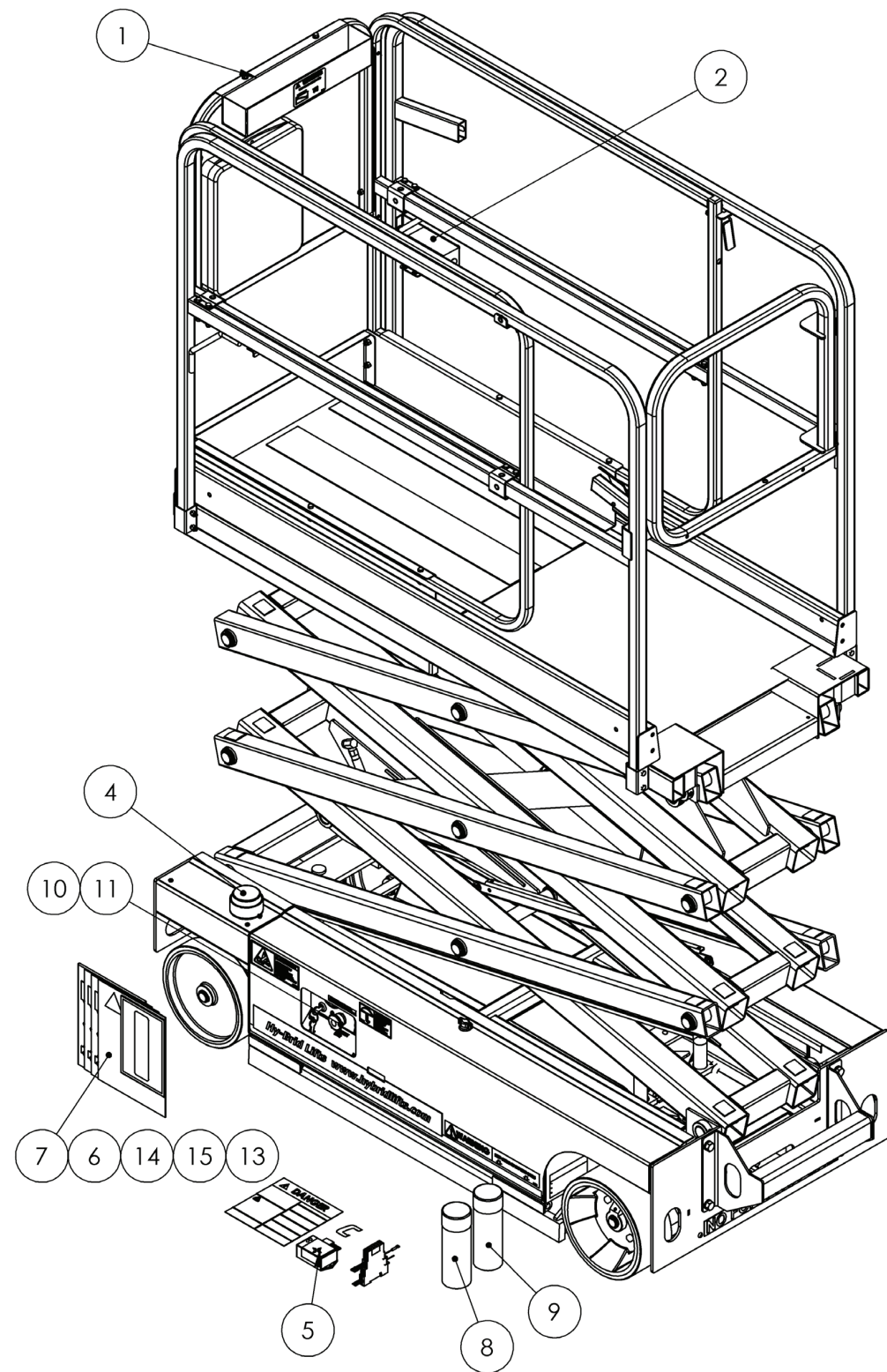


FIGURE 40: Options & Misc, HB-1430

Item #	Part Number	Part Description	Notes	Qty	Superseded By
1	1002000650-KIT	ASM,TOOL TRAY, HB		0	112-21-211-50-K
1	112-21-211-50-K	ASM,RAIL,TOOL TRAY		1	
2	1022100951-KIT	PTP,HB1430		1	
3	1022101150	BEACON,FLASHING AMBER HBLGS1	Obsolete	1	1022101550
4	1022101550	BEACON,FLASHING AMBER HBLGS1		1	
5	ELEC-629-CKIT	CONVERSION KIT:ANSI/CSA HBS1		1	
6	MISC-600	MANUAL,AERIAL PF		1	
7	MISC-601	MANUAL,RESPONSIBILITIES A92.6		1	
8	MISC-624	PAINT,WHITE TOUCH-UP SPRAY		1	
9	MISC-625	PAINT,YELLOW TOUCH-UP SPRAY		1	
10	SUB A8-J	ASM,MOTION ALARM KIT,HB S1		1	
11	SUB A8-K	ASM,TILT INTERLOCK,HBS1		1	
12	SUB A8-N	BEACON,FLASHING AMBER HBLGS1	Obsolete	1	1022101550
13	SUPO-602	MANUAL,OP & MAINR,HBLG S1		1	
14	SUPO-656	MANUAL ADDENDUM,HB S2 DECALS		1	
15	SUPO-690	MANUAL,PARTS HB-1030/1430 S1		1	

HY-BRID LIFTS™

BY CUSTOM EQUIPMENT LLC

Self-Propelled Aerial Work Platform
Parts Manual
HB-1030/HB-1430

© 2018 Custom Equipment, LLC
2647 Highway 175
Richfield, WI 53076
U.S.A.
Tel. +1-262-644-1300
Fax: +1-262-644-1320
www.hybridlifts.com
Service@Customequipmentlifts.com

"Hy-Brid Lifts" is a trademark of Custom Equipment, LLC
These machines comply with specified ANSI/SIA A92.6 requirements

Revision Date: April 2018

Printed In The USA