

PARTS MANUAL

PS-1030 PS-1430

MOBILE ELEVATING WORK PLATFORM



TABLE OF CONTENTS

NOTES.....	2
FOREWORD.....	3
TABLE OF CONTENTS.....	4
INDEX OF FIGURES.....	5
SECTION 1 BASE.....	6
1.1 POTHOLE GUARD PARTS.....	6
1.2 POTHOLE ACTUATOR SUBPARTS.....	7
1.3 STEER PARTS.....	8
1.4 STEER ACTUATOR PART.....	9
1.5 CENTER STEER SUBPARTS.....	10
1.6 CASTER SUBPARTS.....	11
1.7 FRONT WHEEL SUBPARTS.....	12
1.8 DRIVE PARTS.....	13
1.9 PUMP PARTS.....	14
1.10 PUMP SUBPARTS.....	16
1.11 PS-1030 BASE-MISCELLANEOUS.....	18
1.12 PS-1430 BASE-MISCELLANEOUS.....	19
SECTION 2 CONTROLS.....	20
2.1 MAIN CABLE SUBPARTS.....	22
2.2 UPPER CONTROL PARTS.....	24
2.3 JOYSTICK SUBPARTS.....	25
2.4 LOWER CONTROL PARTS.....	26
2.5 E-STOP SWITCH SUBPARTS.....	28
2.6 KEY SWITCH SUBPARTS.....	28
2.7 MASTER POWER SWITCH PARTS.....	29
SECTION 3 SCISSOR.....	30
3.1 PS-1030 SCISSOR PARTS.....	30
3.2 PS-1430 SCISSOR PARTS.....	32
3.3 PS-1030 CYLINDER SUBPARTS.....	34
3.4 PS-1430 CYLINDER SUBPARTS.....	35
SECTION 4 PLATFORM & RAILS.....	36
4.1 PLATFORM & RAILS PARTS.....	36
SECTION 5 DECALS.....	40
5.1 PS-1030 DECALS.....	40
5.2 PS-1430 DECALS.....	42
SECTION 6 OPTIONS & MISCELLANEOUS.....	44
6.1 OPTIONS & MISCELLANEOUS PARTS.....	44
NOTES.....	46

INDEX OF FIGURES

FIGURE 1: Pothole Guard Parts.....	6
FIGURE 2: Pothole Actuator Subparts.....	7
FIGURE 3: Steer Parts.....	8
FIGURE 4: Steer Actuator Part.....	9
FIGURE 5: Center Steer Subparts.....	10
FIGURE 6: Caster Subparts.....	11
FIGURE 7: Front Wheel Subparts.....	12
FIGURE 8: Drive Parts.....	13
FIGURE 9: PS-1030 Pump Parts.....	14
FIGURE 10: PS-1430 Pump Parts.....	15
FIGURE 11: Pump Subparts.....	16
FIGURE 12: PS-1030 Base Miscellaneous Parts.....	18
FIGURE 13: PS-1430 Base Miscellaneous Parts.....	19
FIGURE 14: Controls/Electrical Parts.....	20
FIGURE 15: Main Cable Parts.....	22
FIGURE 16: Upper Control Parts.....	24
FIGURE 17: Joystick Subparts.....	25
FIGURE 18: Lower Control Parts.....	26
FIGURE 19: E-Stop Switch Subparts.....	28
FIGURE 20: Key Switch Subparts.....	28
FIGURE 21: Master Power Switch Parts.....	29
FIGURE 22: PS-1030 Scissor Parts.....	30
FIGURE 23: PS-1430 Scissor Parts.....	32
FIGURE 24: PS-1030 Cylinder Subparts.....	34
FIGURE 25: PS-1430 Cylinder Subparts.....	35
FIGURE 26: Platform & Rail Parts.....	36
FIGURE 27: PS-1030 Decals.....	40
FIGURE 28: PS-1430 Decals.....	42
FIGURE 29: Options & Miscellaneous Parts.....	44

Revisions:

REV A.....	September 2019
REV B.....	January 2020

1.1 | POTHOLE GUARD PARTS

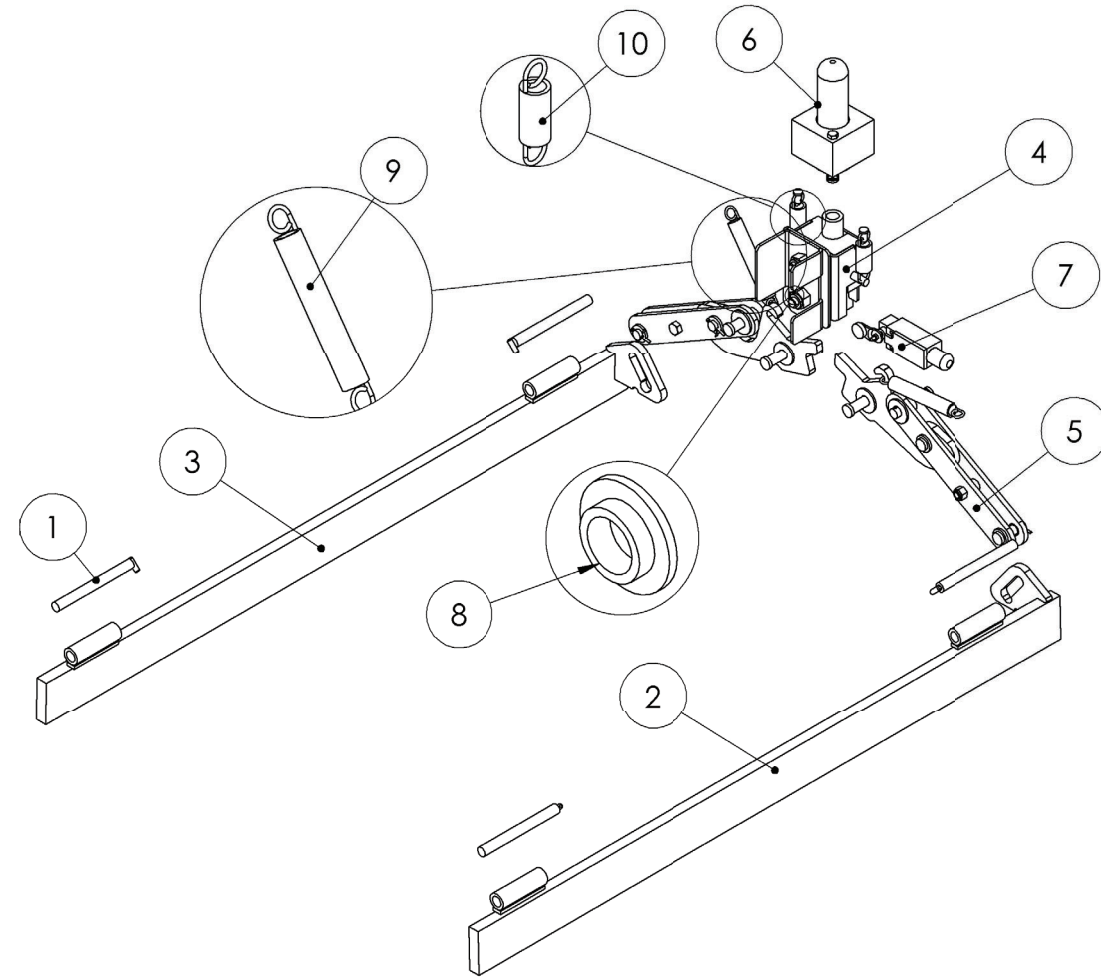


FIGURE 1: Pothole Guard Parts

Item #	Part Number	Part Description	Notes	Qty	Superseded By
1	RND-HB-002-P	PIN,HINGE,0.50,5.0		1	
2	HB-PH-21-L-EC	BASE,PH BAR L (HB2 10.0 WHL)		1	
3	HB-PH-21-R-EC	BASE,PH BAR R (HB2 10.0 WHL)		1	
4	112-21-423-50-K	ASM,BASE PH LOCK		1	
5	1002100191-KIT	ASM,BASE PH ARMS		1	
6	112-21-428-50-K	ASM,BASE PH ACT		1	
7	ELEC-123-5	SWITCH,LIMIT,ROT LVR,NO/NC PO		1	
8	HARD-626-3	WASH,0.38ID,0.5D,0.19THK,NYL		1	
9	HARD-701	SPRING,EXT 5.5X.69,OD		1	
10	HARD-702	SPRING, EXT 3X .75		1	

1.2 | POTHOLE ACTUATOR SUBPARTS

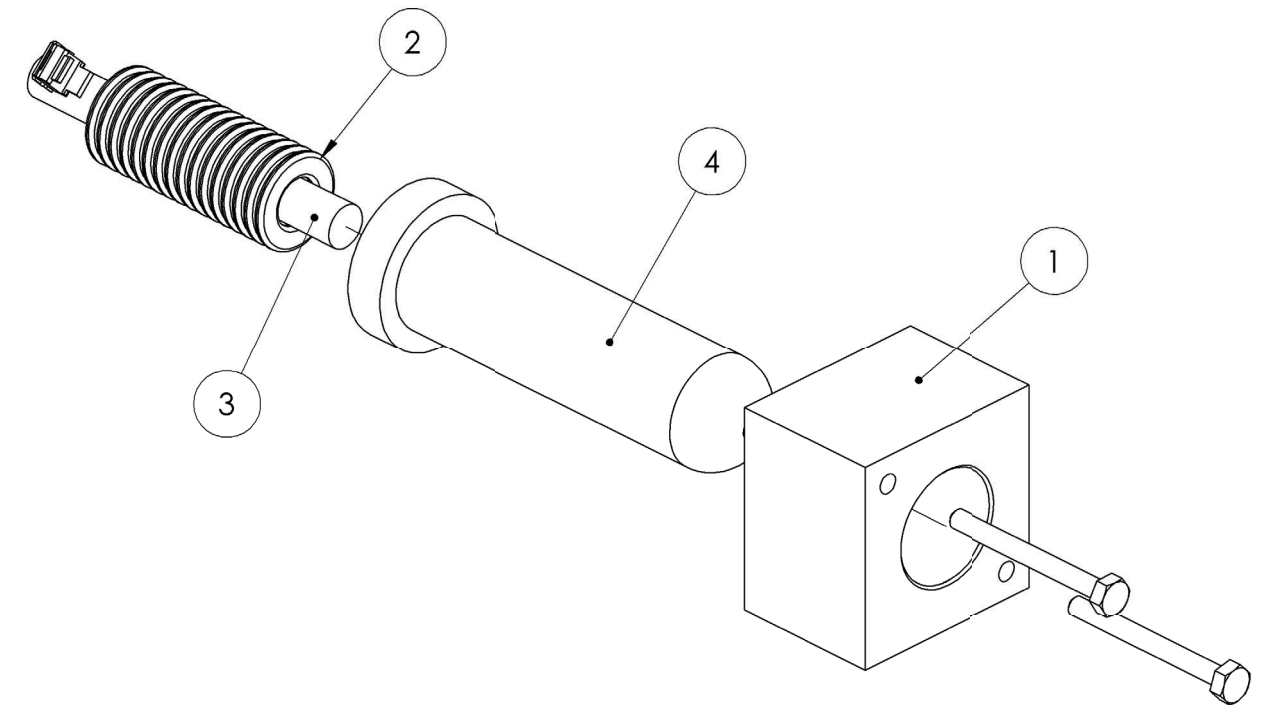


FIGURE 2: Pothole Actuator Subparts

Item #	Part Number	Part Description	Notes	Qty	Superseded By
1	112-01-435-03	BASE,PH GUIDE BLOCK-1.5 ID		1	
2	HARD-654	SPRING,COMP,3 X 1.250,OD		1	
3	HB-M220-P	PH PLUNGER ROD		1	
4	HB-PH-20	BASE,PH RET SLEEVE		1	

1.3 | STEER PARTS

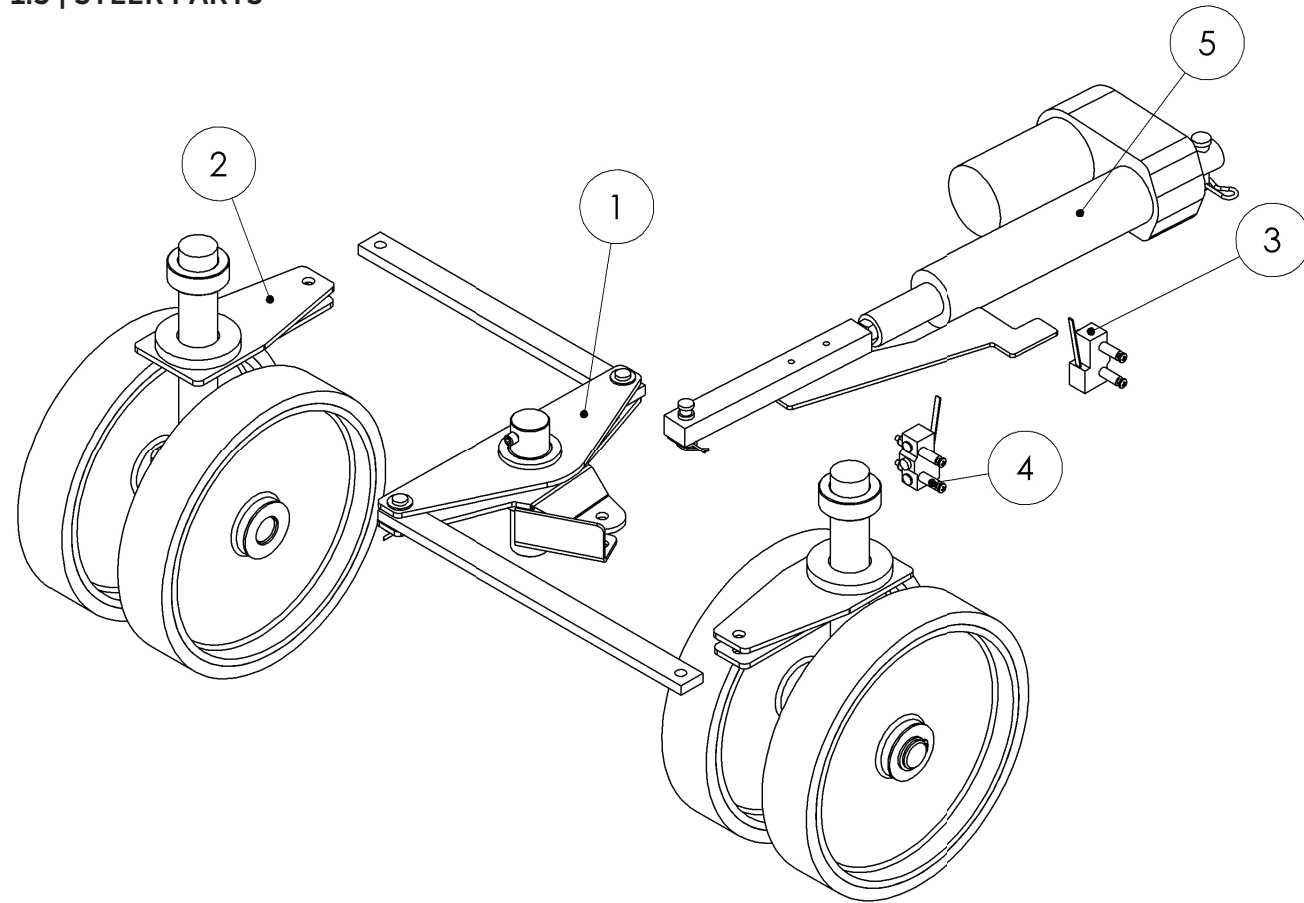


FIGURE 3: Steer Parts

Item #	Part Number	Part Description	Notes	Qty	Superseded By
1	SUB A26-KIT	ASM,BASE CENTER STEER		1	
2	SUB A27-KIT	ASM,BASE CASTERS 10 WHL		1	
3	ELEC-624	SWITCH,LIMIT STRAIGHT LEVER		2	
4	HARD-748	017X0.31X0.75XSPACER,NYL		4	
5	112-21-312-50-K	ASM,BASE STEER ACT		1	

1.4 | STEER ACTUATOR PART

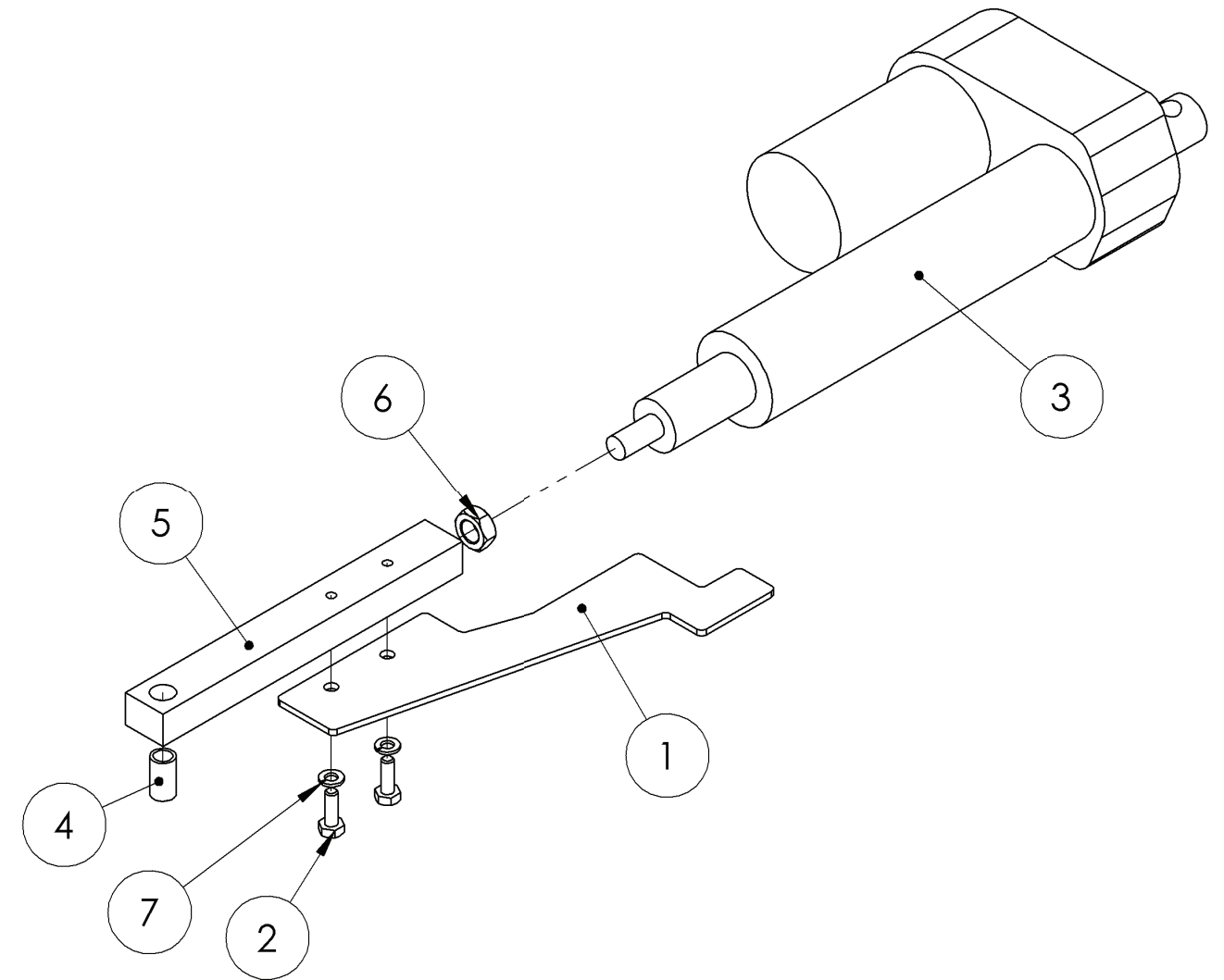


FIGURE 4: Steer Actuator Part

Item #	Part Number	Part Description	Notes	Qty	Superseded By
1	112-01-220-02	BASE,STEER LS ACT		1	
2	BOLT-2520	1/4-20 X .75 HHCS		2	
3	ELEC-650	ACTUATOR		1	
4	HARD-620	BUSHING,0.38,0.50,0.88		1	
5	HB-M205-P	BASE,STEER ACT EXT		1	
6	NUTS-6000	1/2-20 HEX JAM NUT,THIN		1	
7	WASH-2521	.26X.49X.06X.06 SPLIT LK WASH		2	

1.5 | CENTER STEER SUBPARTS

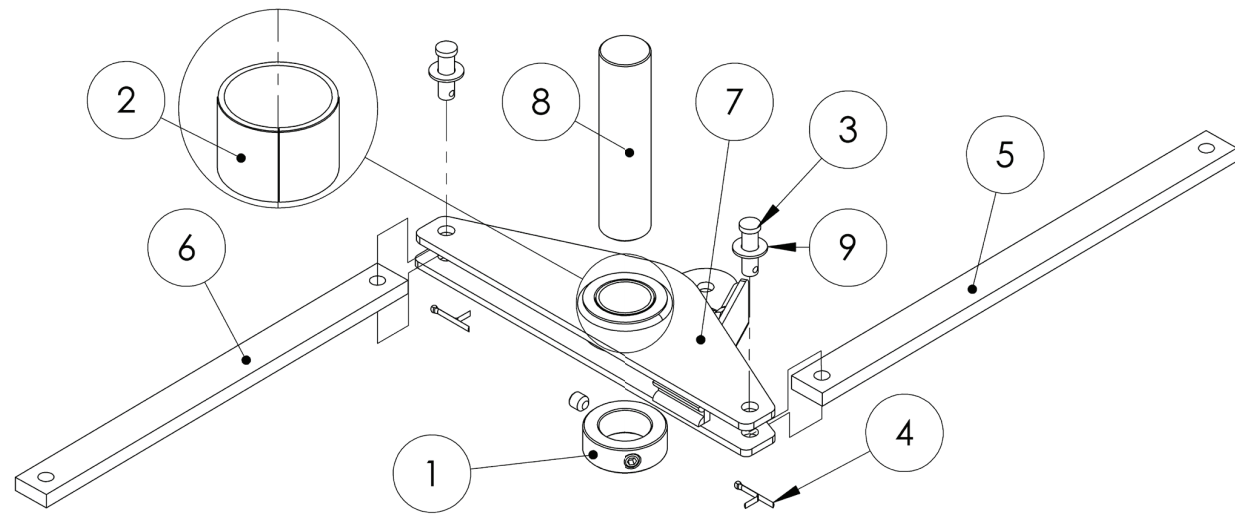


FIGURE 5: Center Steer Subparts

Item #	Part Number	Part Description	Notes	Qty	Superseded By
1	1021000102	SET COLLAR,1.25 ID		1	
2	HARD-001	DU BEARING, 1.25 ID, 1 LENGTH		1	
3	HARD-641-5	CLEVIS PIN,3/8 X 1.25,PLATED		2	
4	HARD-643	COTTER PIN, 5/32 X 1		2	
5	HB-ST-2-A-P	BASE,TIE ROD LONG		1	
6	HB-ST-3-A-P	BASE,TIE ROD SHORT		1	
7	HB-ST-4-B-KIT	BASE,STEER WLDMNT (HB2)		1	
8	PB-0018-P	PIN,STEER,1.25,6.0		1	
9	WASH-3800	3/8 FLAT WASHER		2	

1.6 | CASTER SUBPARTS

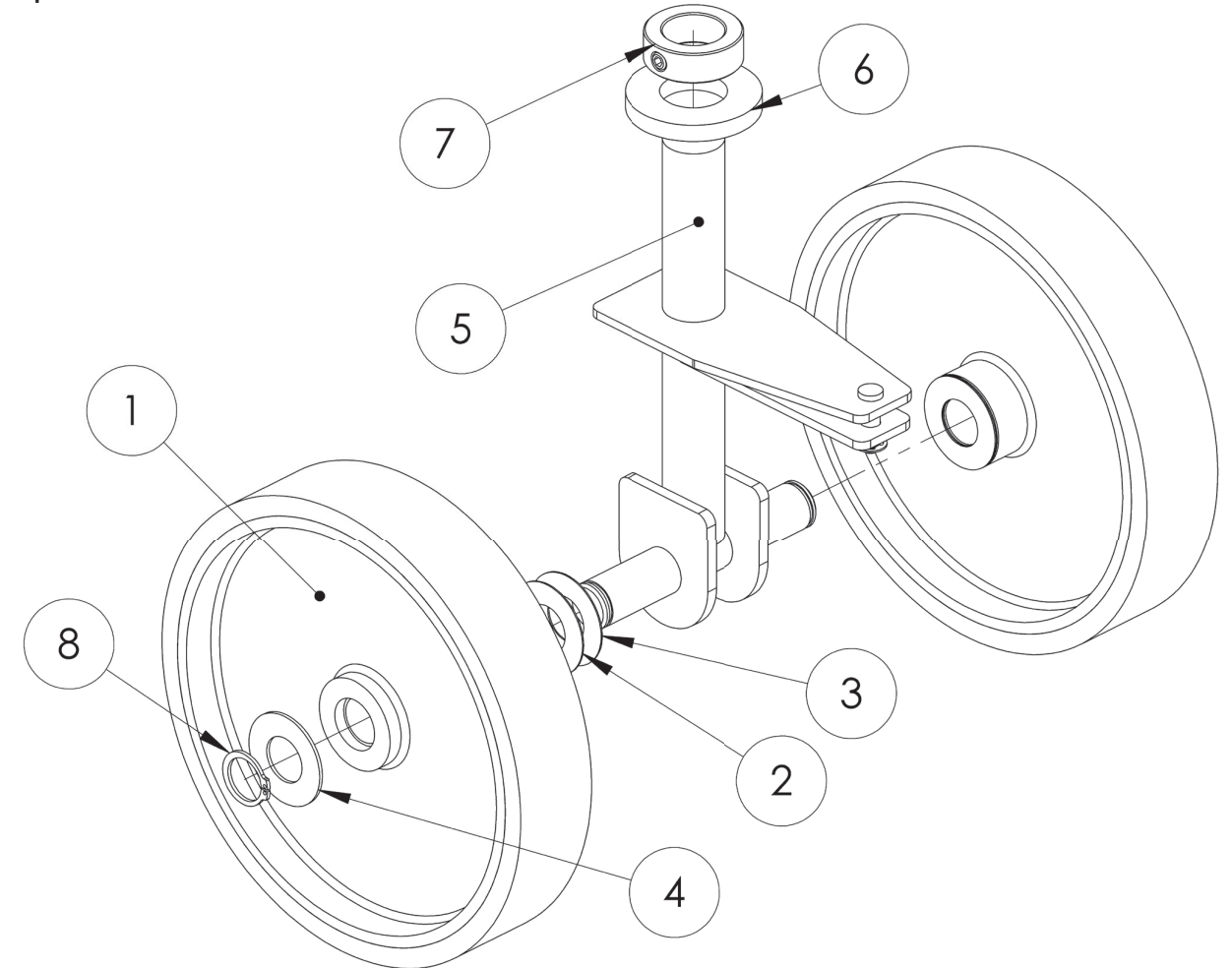


FIGURE 6: Caster Subparts

Item #	Part Number	Part Description	Notes	Qty	Superseded By
1	WHEE-604-KIT	WHL,10X2,GREY UR	Includes DU bearing	2	
2	WHEE-609-P	WASHER,1.015 IDX2 ODX.03 THK P		2	
3	WHEE-609-SS	WASHER, 1.015ID,2OD,.03 THK SS		2	
4	WHEE-603-2-P	WASHER,1.0 ID,2.0 OD,.075 THK		2	
5	PB-0021-P	BASE,CASTER FRONT		1	
6	HARD-615-2	THRUST BEARING,.38 THK,UHMW		1	
7	1021000102	SET COLLAR,1.25 ID		1	
8	HARD-021	RET RING 1.0		2	

1.7 | FRONT WHEEL SUBPARTS

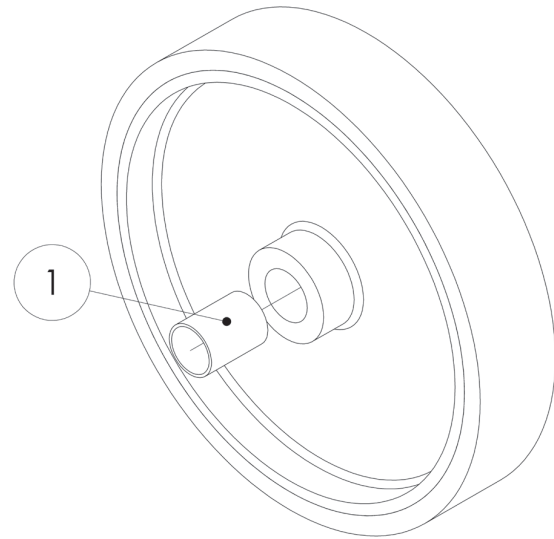


FIGURE 7: Front Wheel Subparts

Item #	Part Number	Part Description	Notes	Qty	Superseded By
1	HARD-001-1	DU BEARING,1 ID X 1.5 L		1	1

1.8 | DRIVE PARTS

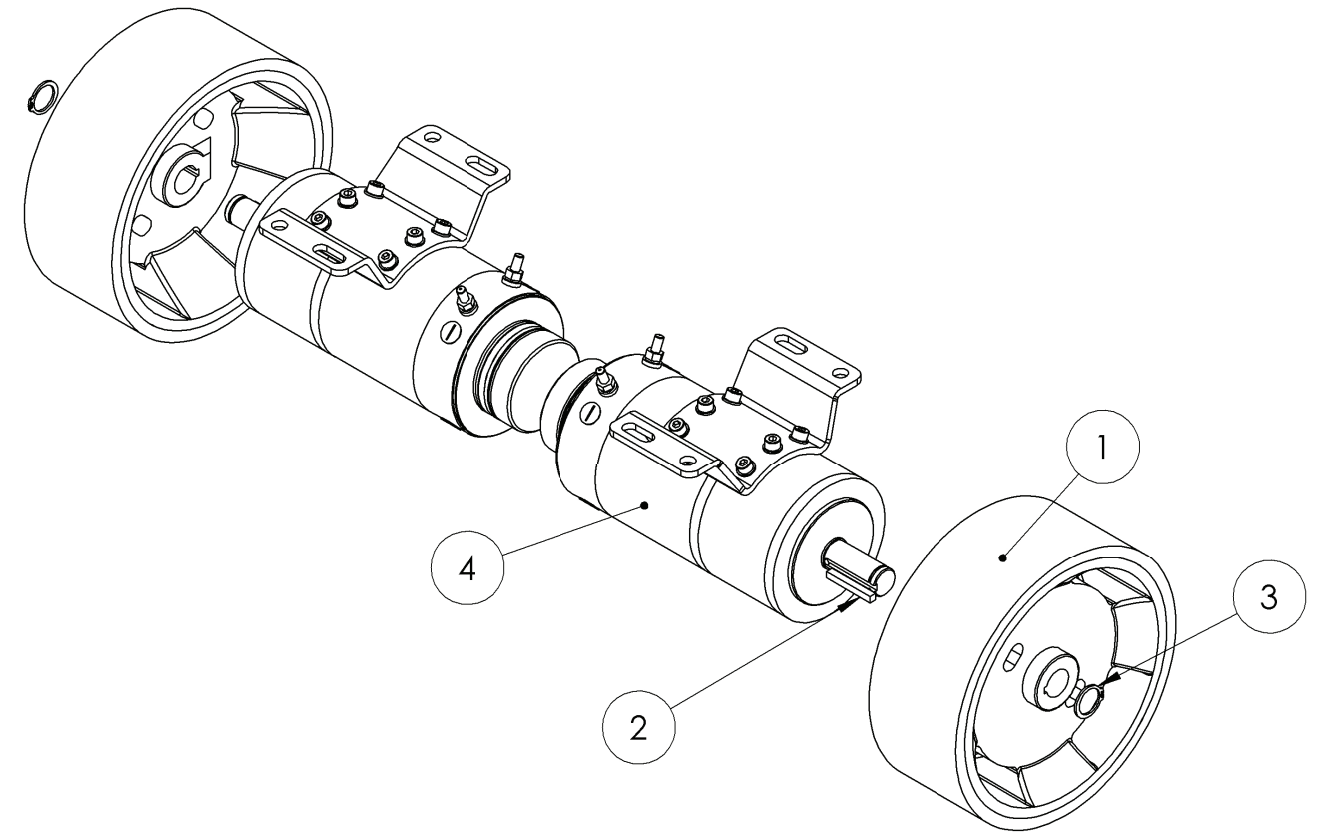


FIGURE 8: Drive Parts

Item #	Part Number	Part Description	Notes	Qty	Superseded By
1	WHEE-600-1	WHL,10X4 GREY UR KW 1.0		2	
2	HARD-157	KEY,0.25 X 0.25 X 2		2	
3	HARD-021	RET RING 1.0		2	
4	ELEC-790	DRIVE MOTOR,24V,HB,AUB		2	

1.9 | PUMP PARTS

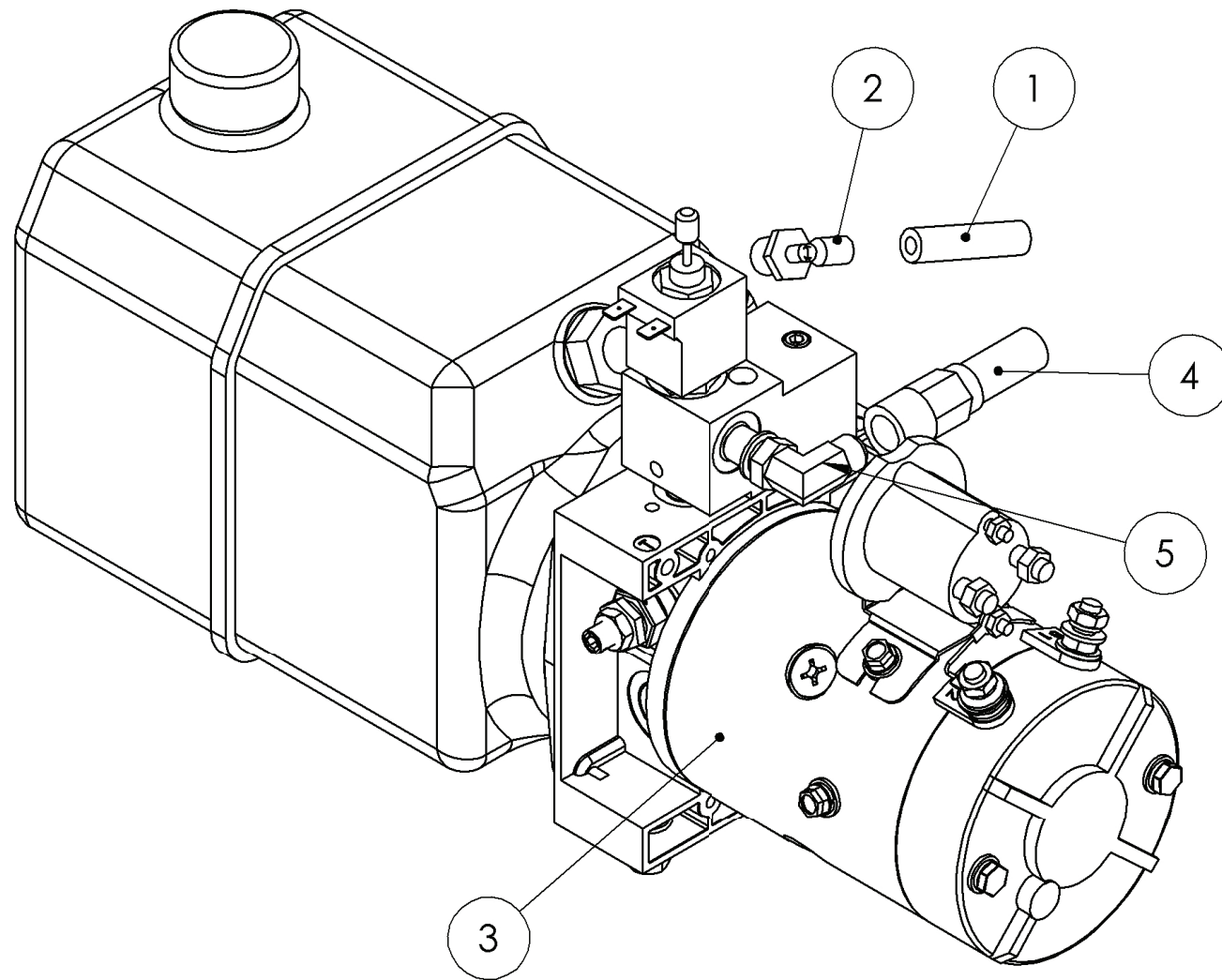


FIGURE 9: PS-1030 Pump Parts

Item #	Part Number	Part Description	Notes	Qty	Superseded By
1	HYDR-022-3	LOW PRESSURE HOSE	QTY IN INCHES	102	
2	HYDR-019	FITTING,ELB,NPTM 3/8-1/4 PUSH		1	
3	HYDR-050-11	PUMP,24VDC,0.132,1.0,3.5	Entire pump	1	
4	HYDR-600	HOSE ASM,HB-2X		1	
5	HYDR-035	FITTING,ELB,JICM9/16-SAEORM#6		1	
6	HYDR-032	HYDRAULIC OIL	Not available as a replacement part. Replace with Flomite 150, Dexron II, Mobil-DTE 2 or equivalent 32 weight implement oil.	1	

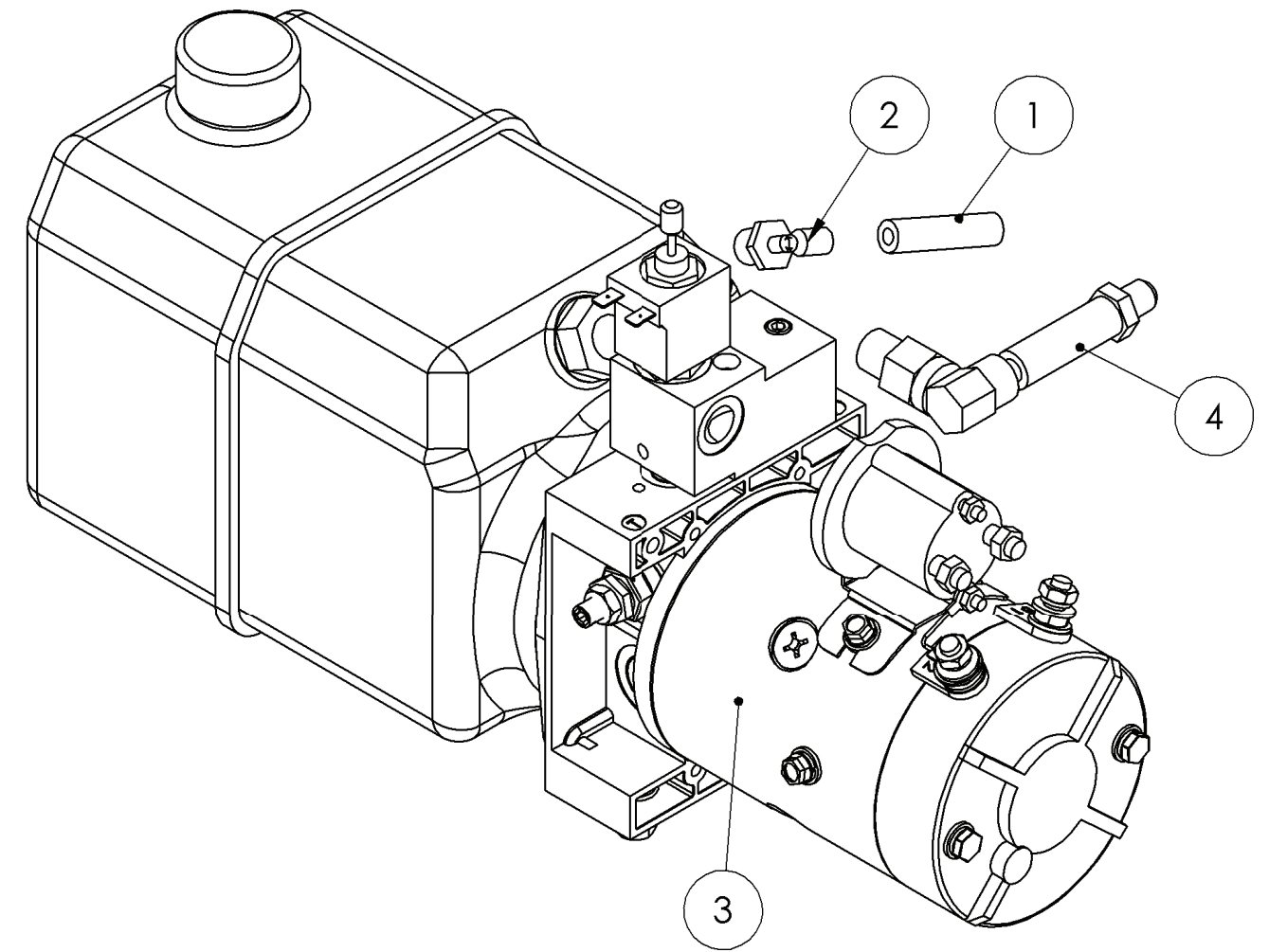
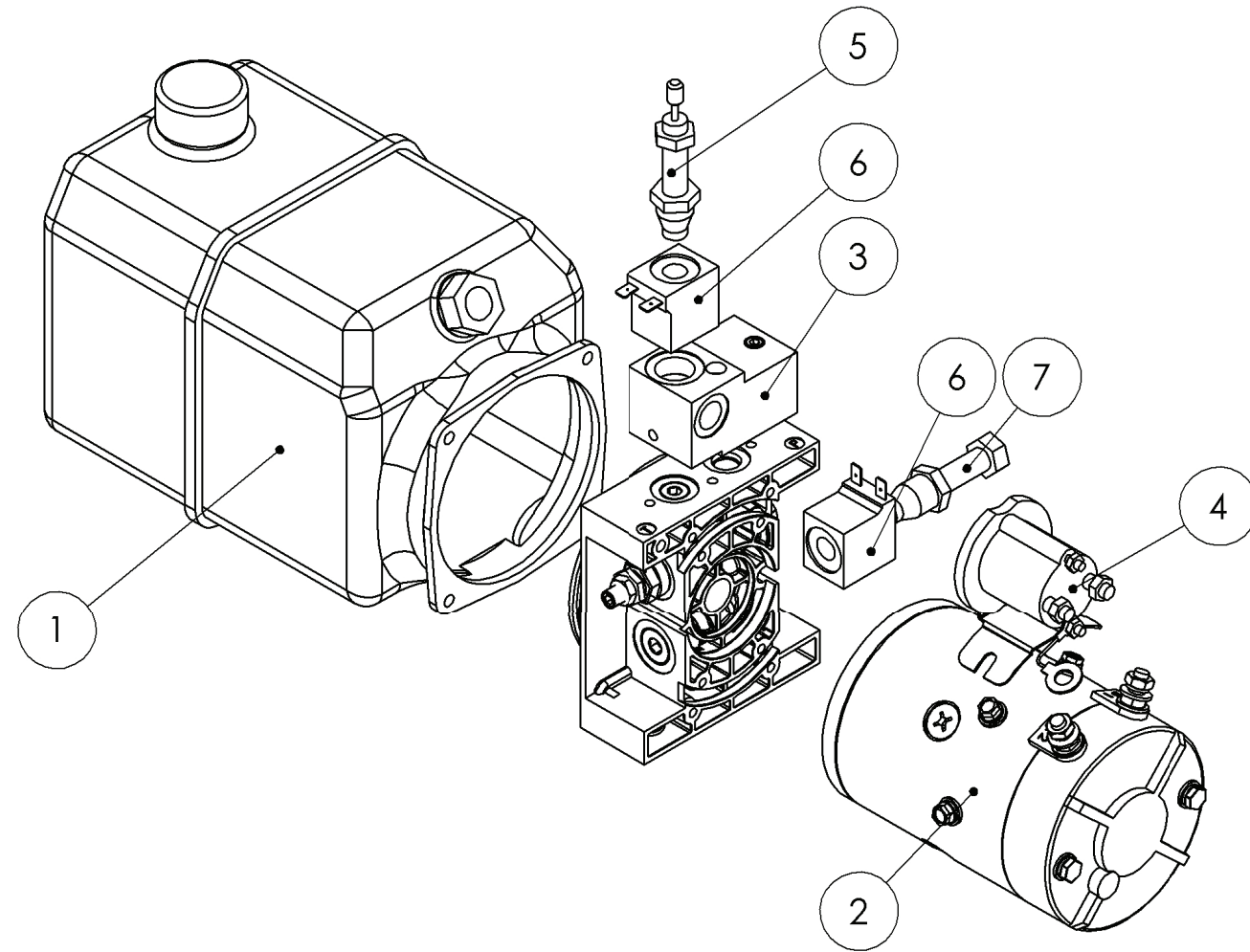


FIGURE 10: PS-1430 Pump Parts

Item #	Part Number	Part Description	Notes	Qty	Superseded By
1	HYDR-022-3	LOW PRESSURE HOSE	QTY IN INCHES	163	
2	HYDR-019	FITTING,ELB,NPTM 3/8-1/4 PUSH		1	
3	HYDR-050-11	PUMP,24VDC,0.132,1.0,3.5		1	
4	HYDR-600-1C	HOSE ASM,PRECUT HB1430 PMP END		1	
5	HYDR-032	HYDRAULIC OIL	Not available as a replacement part. Replace with Flomite #150, exron II, Mobil-DTE 2 or equivalent 32 weight implement oil.	1	

1.10 | PUMP SUBPARTS



Item #	Part Number	Part Description	Notes	Qty	Superseded By
1	HYDR-103	PUMP RESERVOIR,1.0 GAL		1	
2	HYDR-105	PUMP MOTOR,24V,0.132 CIR		1	
3	HYDR-112	PUMP,MANIFOLD BLOCK		1	
4	HYDR-692	SOLENOID,24V,100 AMP	START SOLENOID	1	
5	HYDR-663	VALVE,NC,2W/2P,#8,DWN,TURN,DEL	DOWN VALVE	1	
6	HYDR-664	COIL,18V		2	
7	HYDR-665	VALVE,NO,2W/2P,#8,UP		1	
8	HYDR-667	WASH,0.38 ID,0.75 OD,PRES SEAL		1	
9	HYDR-042	PUMP RESERVOIR CAP		1	
10	HYDR-103	PUMP RESERVOIR,1.0 GAL	IF KTI PUMP INSTALLED	1	
11	HYDR-105	PUMP MOTOR,24V,0.132 CIR	IF KTI PUMP INSTALLED	1	
12	HYDR-112	PUMP,MANIFOLD BLOCK	IF KTI PUMP INSTALLED	1	
13	HYDR-692	SOLENOID,24V,100 AMP	IF KTI PUMP INSTALLED	1	

FIGURE 11: Pump Subparts

1.11 | PS-1030 BASE-MISCELLANEOUS

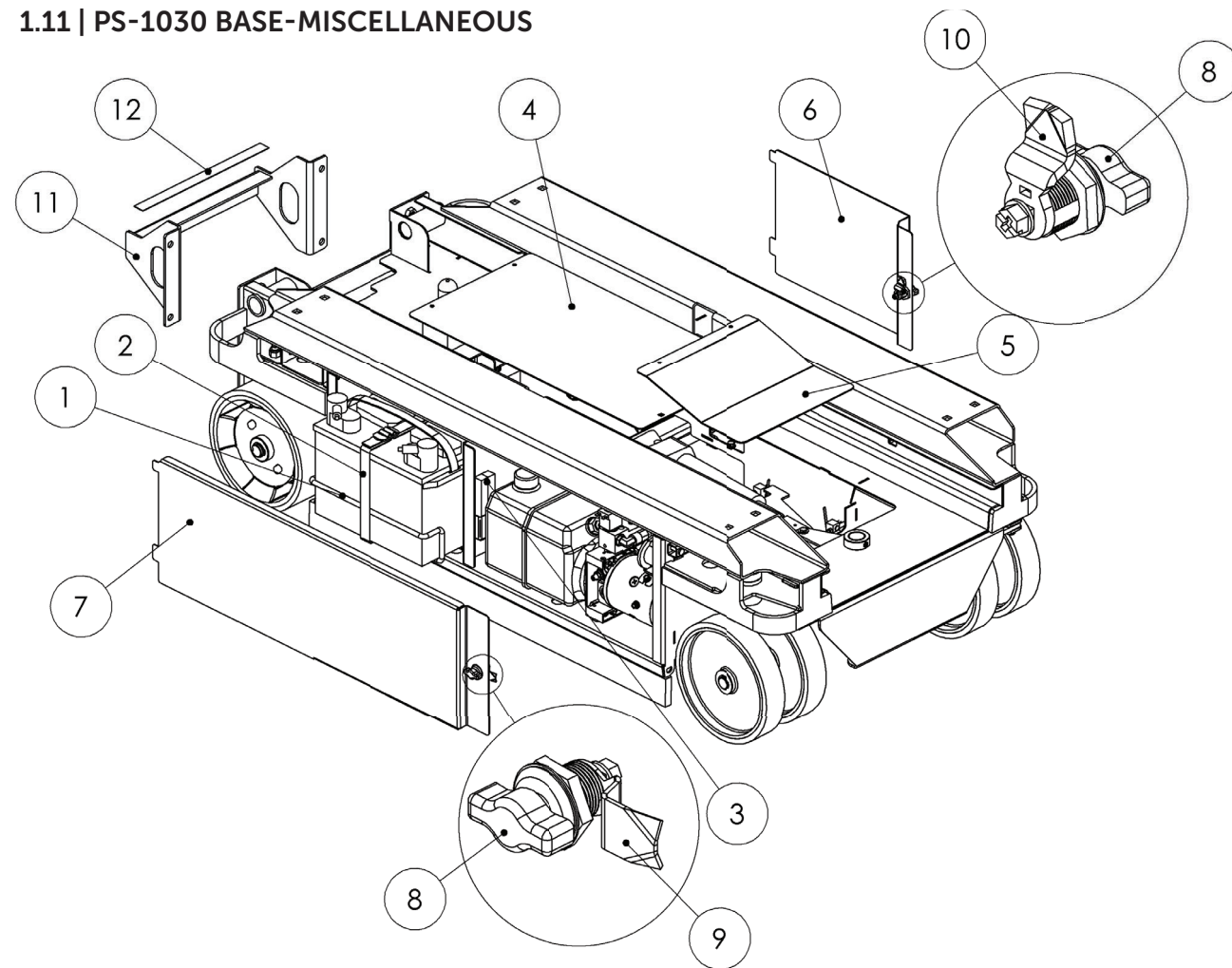


FIGURE 12: PS-1030 Base Miscellaneous Parts

Item #	Part Number	Part Description	Notes	Qty	Superseded By
1	1020123502	BASE,BATT TRAY		2	
2	HARD-054	BATTERY STRAP/BUCKLE		2	
3	HB-M215-P	MAINT LOCK PIN (SQUARE)		2	
4	1020500101	COVER,BASE TOP		1	
5	1020500201	COVER,FRONT		1	
6	1020500301-KIT	COVER,BATT CONTROL SIDE		1	
7	1020500401-KIT	COVER,PUMP SIDE		1	
8	HARD-633B	CABINET LATCH HANDLE		2	
9	HARD-633C	0.23 CAM,CABINET LATCH		1	
10	HARD-633D	CAM, CABINET LATCH		1	
11	LAS-M100-E-PC	BASE,ACCESS STEP		1	
12	MISC-030-01-KIT	ANTI-SLIP TAPE,1, 13.75 LENGTH		1	

HY-BRID LIFTS™

1.12 | PS-1430 BASE-MISCELLANEOUS

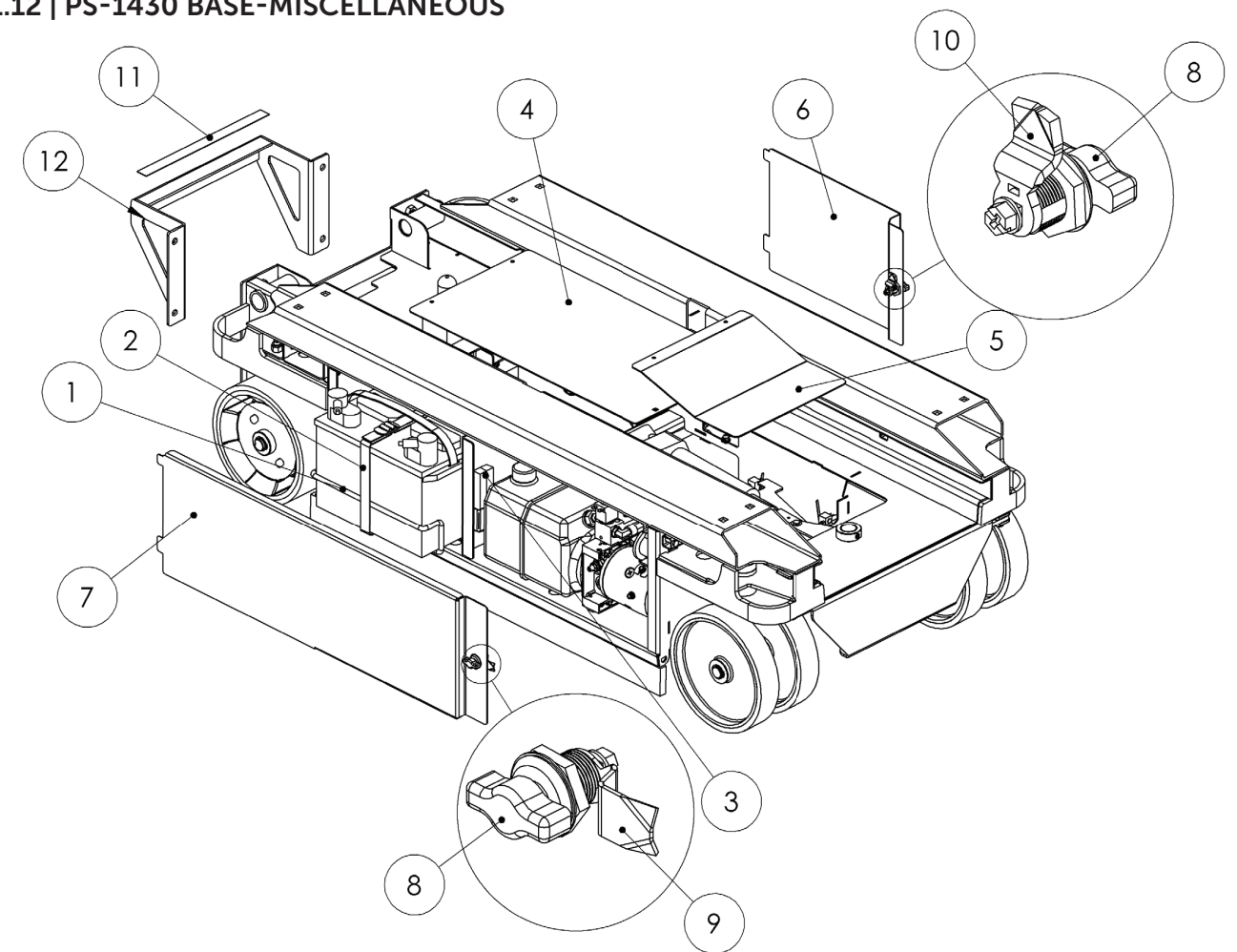
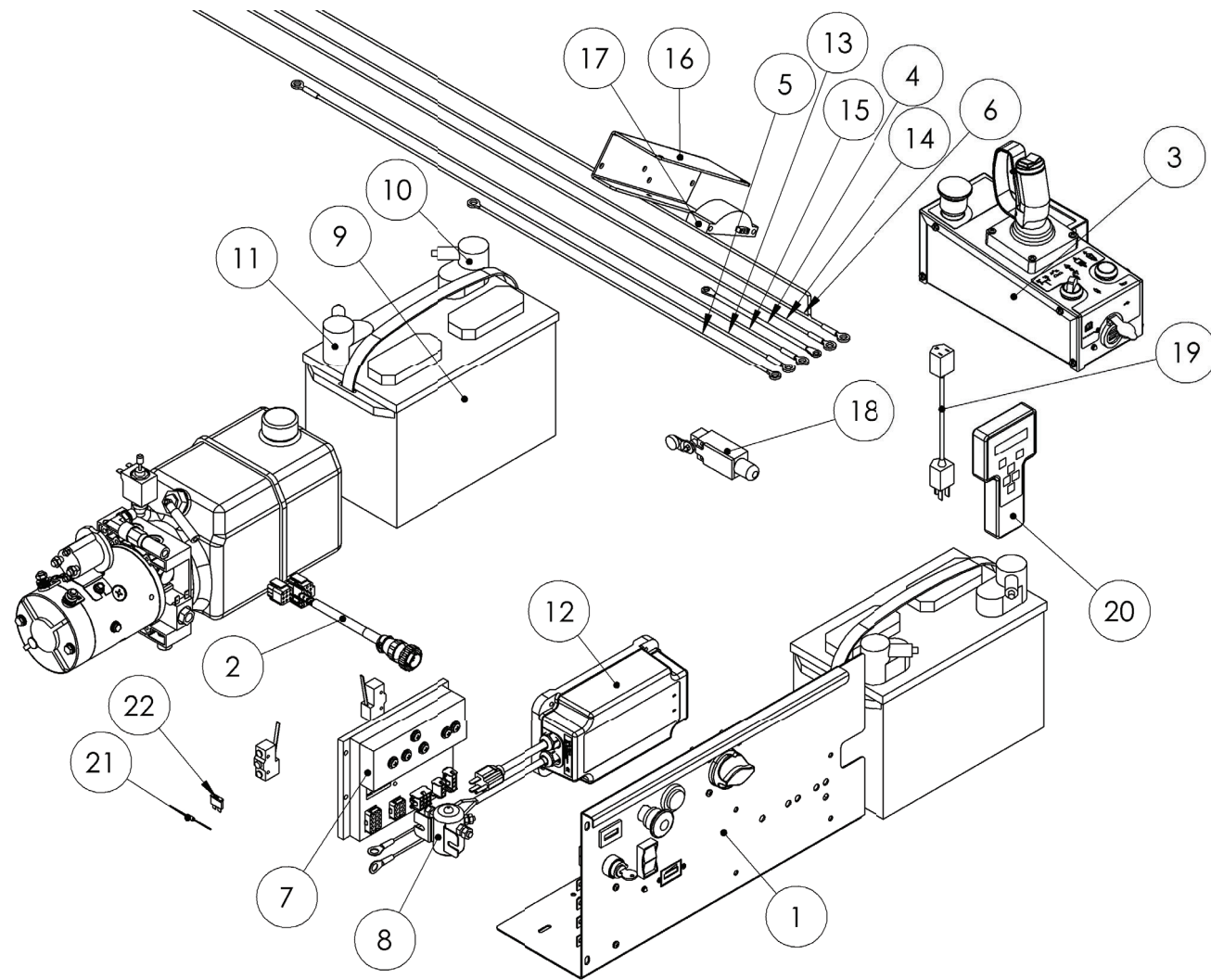


FIGURE 13: PS-1430 Base Miscellaneous Parts

Item #	Part Number	Part Description	Notes	Qty	Superseded By
1	1020123502	BASE,BATT TRAY		2	
2	HARD-054	BATTERY STRAP/BUCKLE		2	
3	HB-M215-P	MAINT LOCK PIN (SQUARE)		2	
4	1020500101	COVER,BASE TOP		1	
5	1020500201	COVER,FRONT		1	
6	1020500301-KIT	COVER,BATT CONTROL SIDE		1	
7	1020500401-KIT	COVER,PUMP SIDE		1	
8	HARD-633B	CABINET LATCH HANDLE		2	
9	HARD-633C	0.23 CAM,CABINET LATCH		1	
10	HARD-633D	CAM, CABINET LATCH		1	
11	MISC-030-01-KIT	ANTI-SLIP TAPE,1, 13.75 LENGTH		1	
12	129-01-431-01	BASE,ACCESS STEP,S4		1	

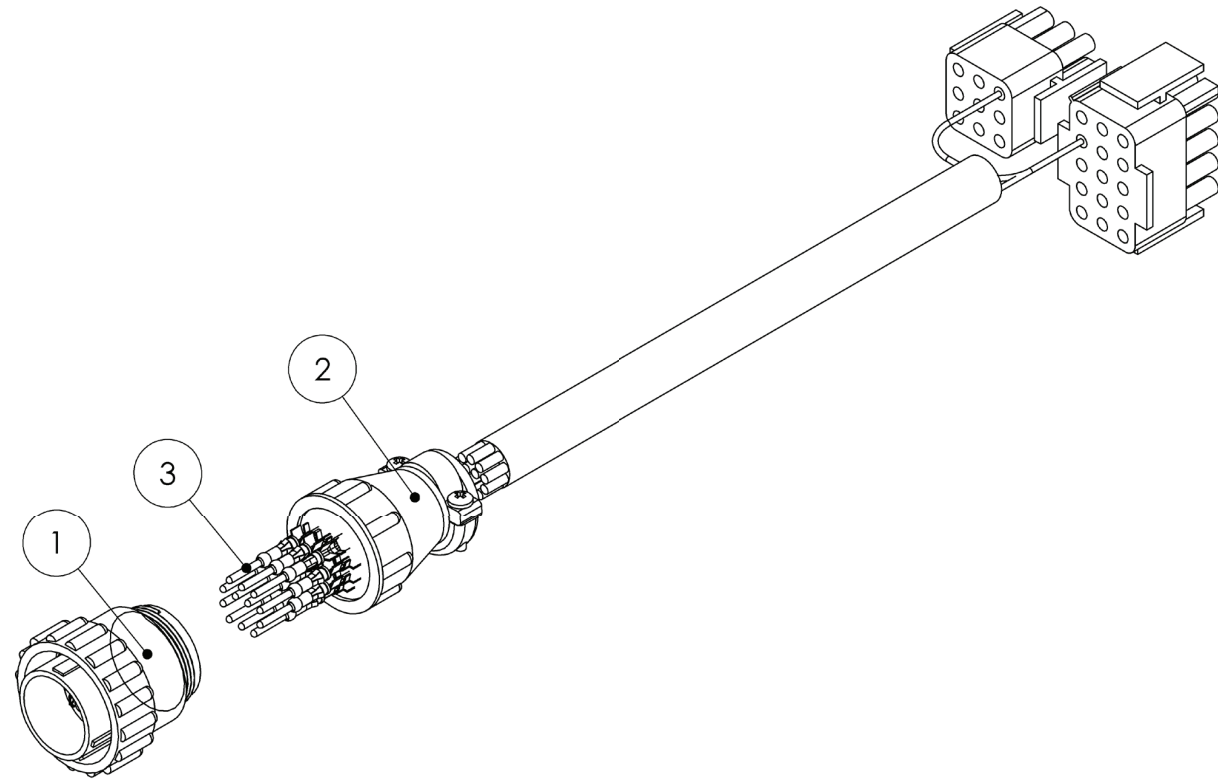
HY-BRID LIFTS™



Item #	Part Number	Part Description	Notes	Qty	Superseded By
1	112-21-405-50	ASM,CTL LWR,PRO SERIES,S4		1	
2	112-21-425-50	CTL,WIRE HARNESS MAIN PSLGS4		1	
3	112-21-404-50	ASM,CTL UPR,PRO SERIES,S4		1	
4	ELEC-117-DC-1	CABLE,06GA,RED,8,R/R		1	
5	ELEC-641E	CABLE,6GA,BLACK,22.00,B/B		1	
6	112-01-320-50	CBL,6GA,RED,46&54,R/R,,38 EYES		1	
7	112-21-424-50	BOARD,DRIVE/LIFT CTL PS ANSI 92.6		1	
8	HYDR-666	SOLENOID,24V,ISOLATED, SPST		1	
9	N/A	GR 27 EV HD 12V BATTERY	NOT SOLD FOR REPLACEMENT. REPLACE WITH GROUP 27, 12-VOLT DEEP CYCLE OR AGM BATTERY WEIGHING AT LEAST 45 LB.	2	
10	ELEC-634A	TERMINAL COVER (RED)		2	
11	ELEC-634B	TERMINAL COVER (BLACK)		2	
12	ELEC-795	CHARGER,24V 12A PRO		1	
13	1002101650	CABLE,6GA,BLACK,36,B/B		1	
14	ELEC-641C	CABLE,6GA,RED,50,B/R		1	
15	ELEC-641A	CABLE,6GA,BLACK,63,B/B		1	
16	129-02-202-01	SCISSOR, ANG SENSOR MNT		1	
17	ELEC-647	SENSOR,ANGLE		1	
18	ELEC-123-5	SWITCH,LIMIT,ROT LVR,NO/NC PO		1	
19	ELEC-639-9	CORD,NEMA 5-15P/5-15R,24.0		1	
20	ELEC-646-2	TOOL,PGT PROGRAMMER,EZ-CAL		1	
21	ELEC-809-2	RESISTOR 1K OHM, 1 WATT		1	
22	ELEC-959	FUSE, 20A ATC		1	
23	WD-112-20-401-50	WD,PRO SERIES,S4	WIRING DIAGRAM	1	
24	WS-112-20-401-50	ELEC SCH,PRO SERIES,S4	ELECTRICAL SCHEMATIC	1	

FIGURE 14: Controls/Electrical Parts

2.1 | MAIN CABLE SUBPARTS



THIS PAGE WAS INTENTIONALLY LEFT BLANK

FIGURE 15: Main Cable Parts

Item #	Part Number	Part Description	Notes	Qty	Superseded By
1	ELEC-749	CONN,CPC,PLUG,14 POS		1	
2	ELEC-750	CABLE CLAMP,CPC,BACK SHELL		1	
3	ELEC-752	CONTACT PIN,CPC,14-18GA TIN		12	

2.2 | UPPER CONTROL PARTS

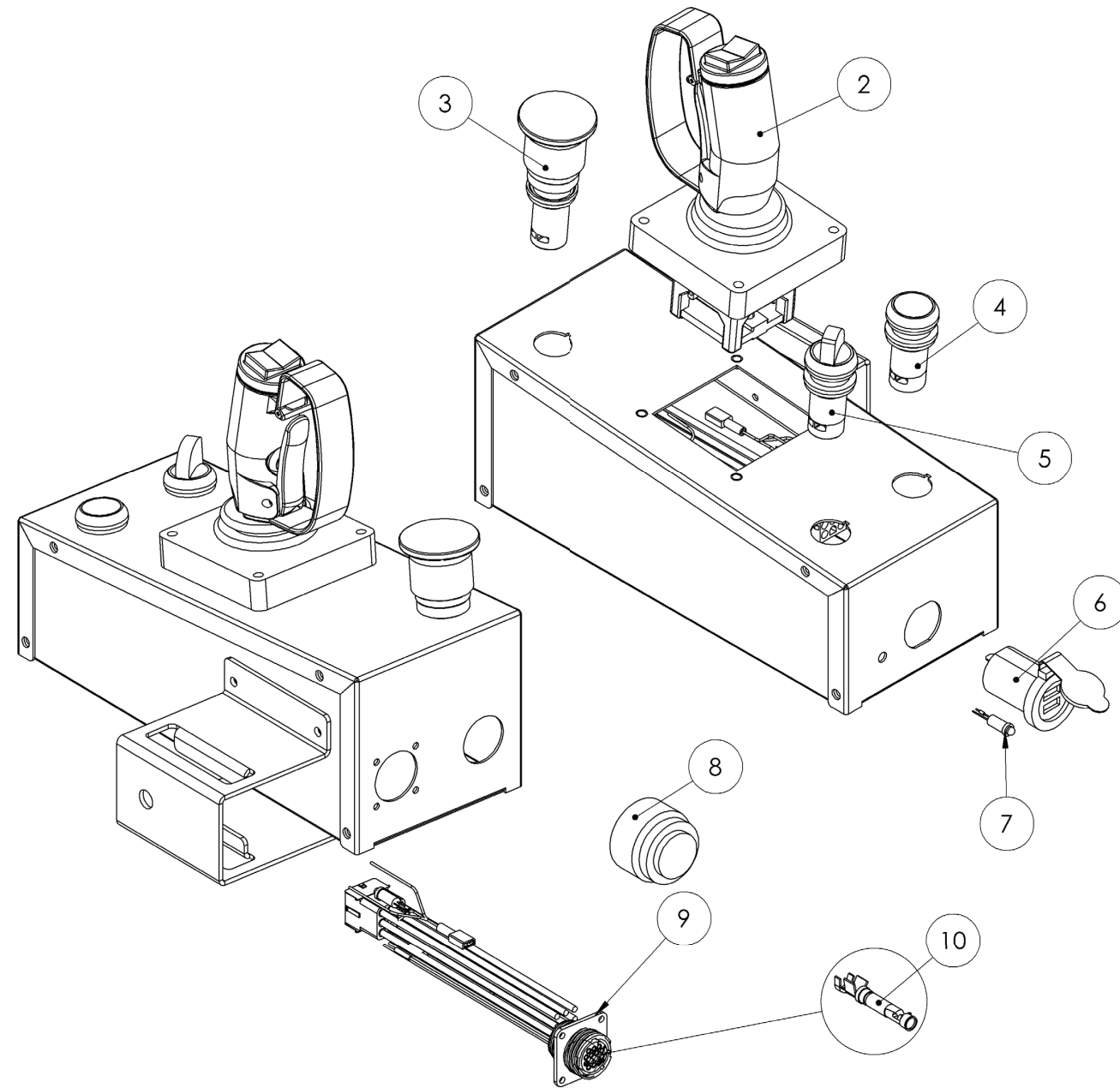


FIGURE 16: Upper Control Parts

Item #	Part Number	Part Description	Notes	Qty	Superseded By
1	WD-112-21-404-50	WD,UPR CTL,PRO SERIES,S4	WIRING DIAGRAM	1	
2	ELEC-618	JOYSTICK,SING-AXIS W/GUARD		1	
3	ELEC-065	BUTTON,TWIST REL. RED E-STOP		1	
4	ELEC-067	SWITCH,PUSH BTN,GREEN		1	
5	ELEC-068	SWITCH, ROTARY MAINT. ,2-POS		1	
6	ELEC-892	POWER PORT,USB 12/24V		1	
7	ELEC-636	LED, RED		1	
8	ELEC-635-4	ALARM, CONTINUOUS		1	
9	112-21-430-50	CTL,WIRE HARNESS,UPR CTL		1	
10	ELEC-753	CONTACT, SOCKET 20-24 GA		1	

2.3 | JOYSTICK SUBPARTS

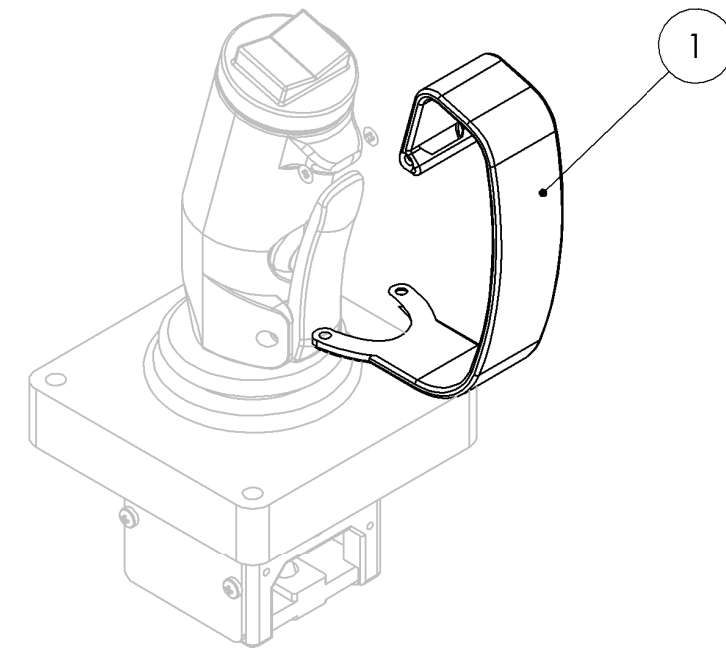
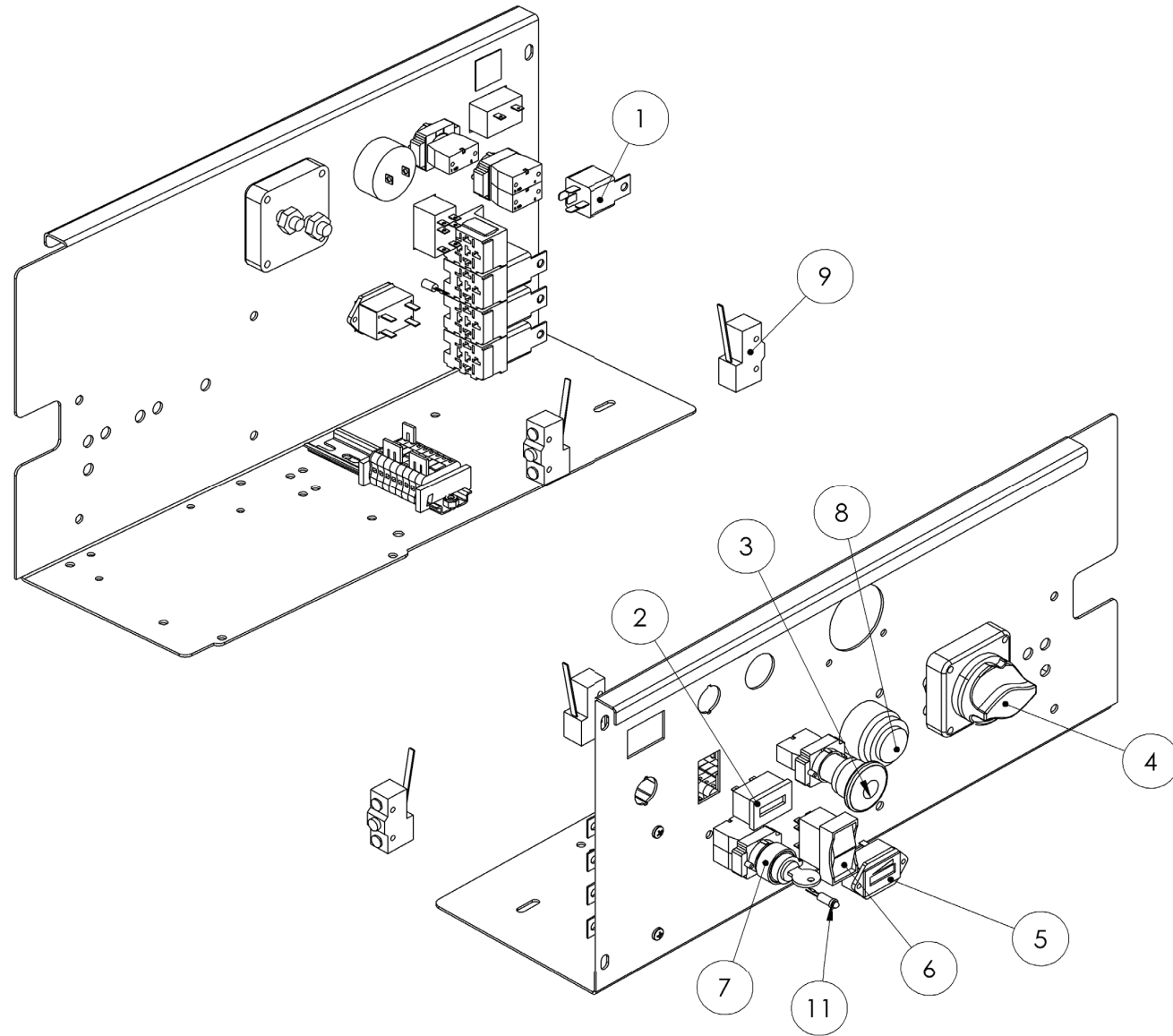


FIGURE 17: Joystick Subparts

Item #	Part Number	Part Description	Notes	Qty	Superseded By
1	ELEC-618-1	GUARD,JOYSTICK,SING -AXIS		1	

2.4 | LOWER CONTROL PARTS



Item #	Part Number	Part Description	Notes	Qty	Superseded By
1	ELEC-631	RELAY,SPDT,ICE CUBE,24V DC		4	
2	ELEC-610-2	METER,HOUR		1	
3	ELEC-071-KIT	BUTTON,PUSH/PULL RED E-STOP		1	
4	ELEC-633-4	SWITCH,MASTER DISCONNECT		1	
5	ELEC-610-4	METER,VOLT,24V		1	
6	ELEC-133B	SWITCH,ROCKER DPDT		1	
7	ELEC-073D-KIT	SWITCH,KEY,3-POS MAINTAINED		1	
8	ELEC-635-4	ALARM, CONTINUOUS		1	
9	ELEC-624	SWITCH,LIMIT STRAIGHT LEVER		2	
10	WD-112-21-405-50	WD,LWR CTL,PRO SERIES,S4	WIRING DIAGRAM	1	
11	ELEC-636	LED, RED		1	

FIGURE 18: Lower Control Parts

2.5 | E-STOP SWITCH SUBPARTS

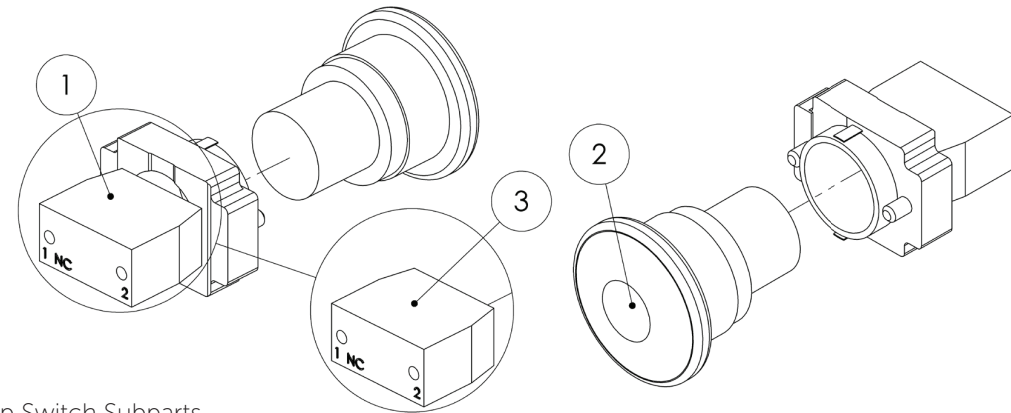


FIGURE 19: E-Stop Switch Subparts

Item #	Part Number	Part Description	Notes	Qty	Superseded By
1	ELEC-872-KIT	CONTACT BLOCK,NC W/BASE		1	
2	ELEC-071	BUTTON,PUSH/PULL RED E-STOP		1	
3	ELEC-072	CONTACT BLOCK,NC		1	

2.6 | KEY SWITCH SUBPARTS

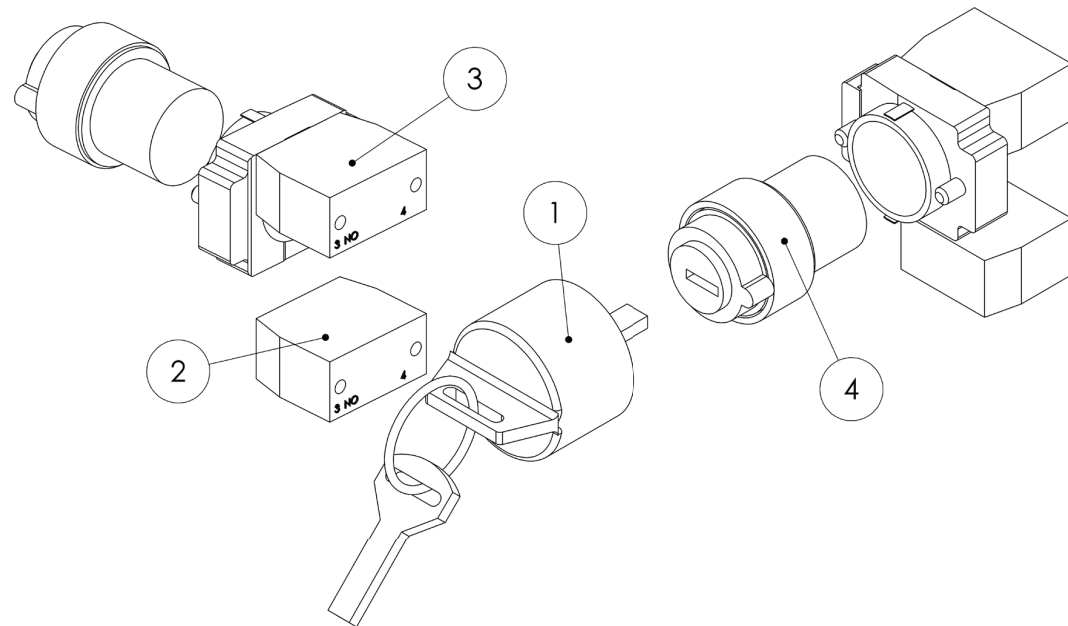


FIGURE 20: Key Switch Subparts

Item #	Part Number	Part Description	Notes	Qty	Superseded By
1	ELEC-073EKEY	KEY,SPARE		1	
2	ELEC-603	CONTACT BLOCK,NO		1	
3	ELEC-871-KIT	CONTACT BLOCK,NO W/BASE		1	
4	ELEC-073D	SWITCH,KEY,3-POS MAINTAINED		1	

2.7 | MASTER POWER SWITCH PARTS

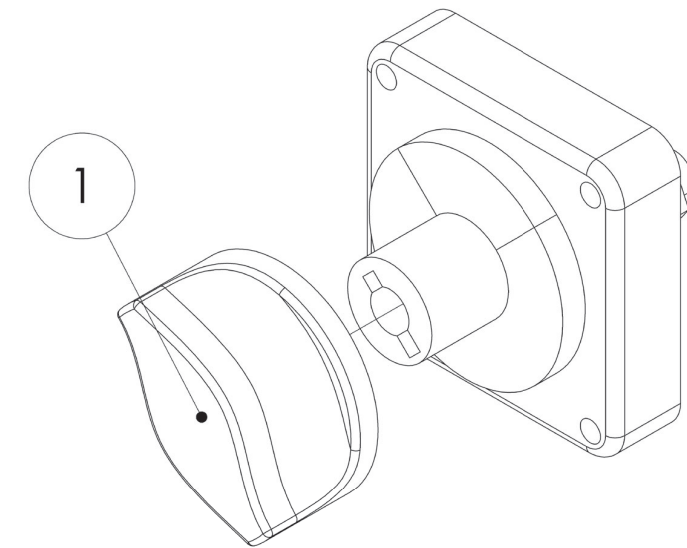
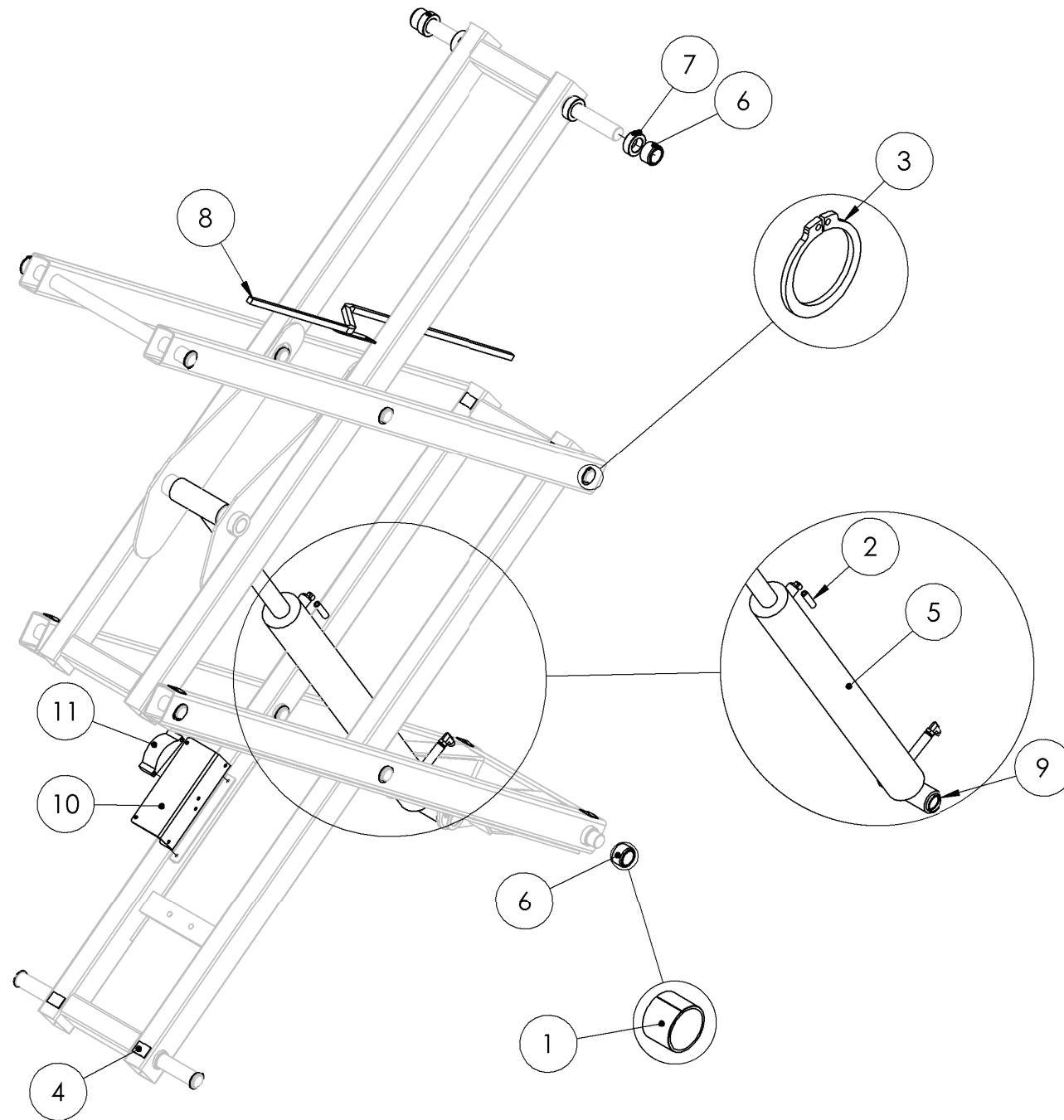


FIGURE 21: Master Power Switch Parts

Item #	Part Number	Part Description	Notes	Qty	Superseded By
1	ELEC-633-5	SWITCH KNOB,MASTER DISCONNECT		1	

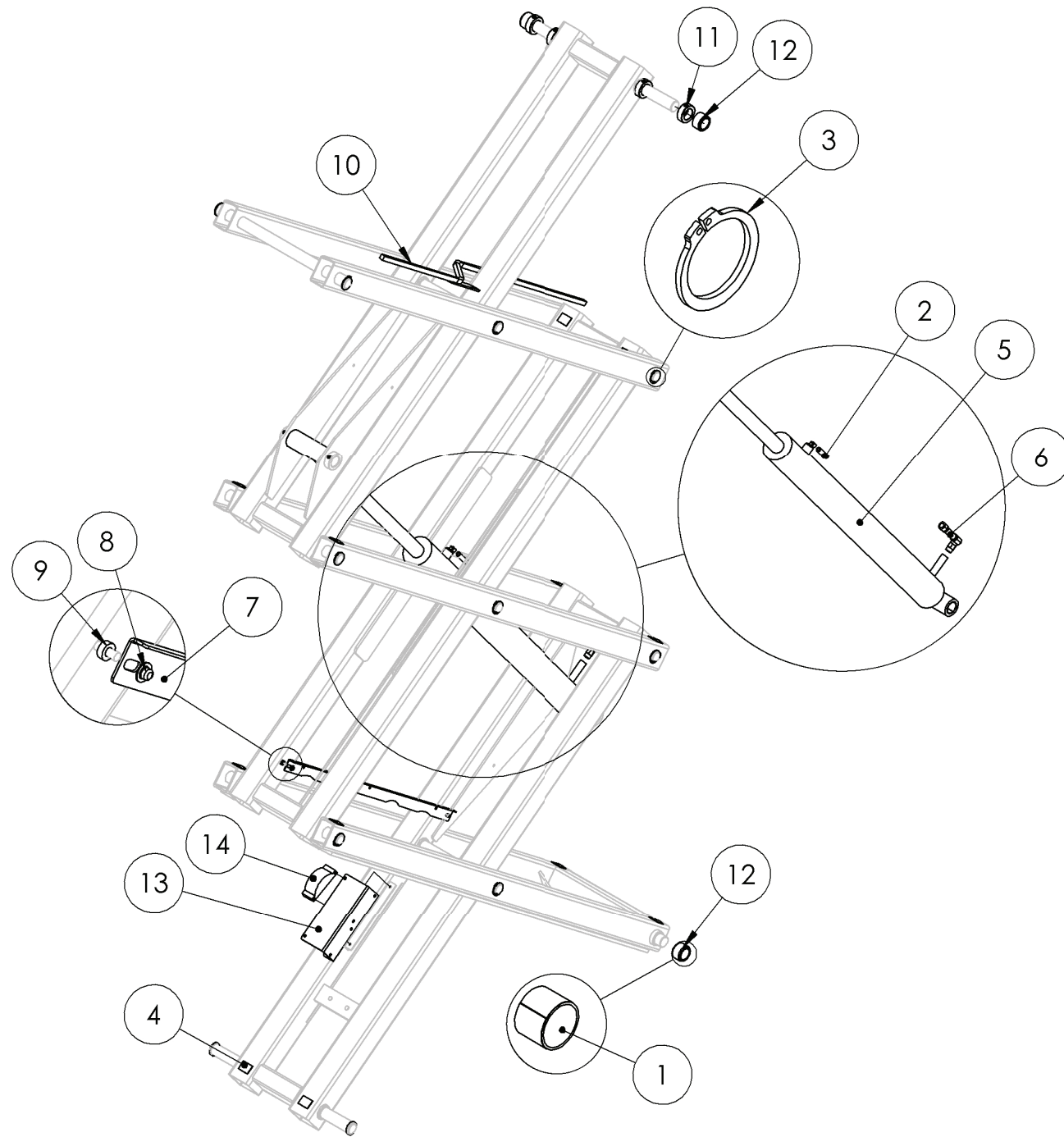
3.1 | PS-1030 SCISSOR PARTS



Item #	Part Number	Part Description	Notes	Qty	Superseded By
1	HARD-001	DU BEARING, 1.25 ID, 1 LENGTH		1	
2	HYDR-022-3	LOW PRESSURE HOSE	QTY IN INCHES	102	
3	HARD-022	1.25 RETAINING RING,EXT		16	
4	MISC-007-01-KIT	1 3/8 MOLDING BOND		8	
5	SUB A7-KIT	ASM,SCISSOR CYL 2X 10FT		1	
6	BM-6006-1-KIT	ASM,ROLLER,1.00 W/DU		4	
7	1021000102	SET COLLAR,1.25 ID		4	
8	112-03-001-01	SCISSOR,CONDUIT UPR		1	
9	BM-1007-EC	BUSHING,SPACER,1.38,0.25		2	
10	112-02-472-01	SCISSOR, ANG SENSOR MNT		1	
11	ELEC-647	SENSOR,ANGLE		1	

FIGURE 22: PS-1030 Scissor Parts

3.2 | PS-1430 SCISSOR PARTS



Item #	Part Number	Part Description	Notes	Qty	Superseded By
1	HARD-001	DU BEARING, 1.25 ID, 1 LENGTH		1	
2	HYDR-022-3	LOW PRESSURE HOSE	QTY IN INCHES	163	
3	HARD-022	1.25 RETAINING RING,EXT		20	
4	MISC-007-01-KIT	1 3/8 MOLDING BOND		12	
5	SUB A7-1-KIT	ASM,SCISSOR CYL 3X/4X 14/18		1	
6	HYDR-600-1B	HOSE ASM,PRECUT HB1430 CYL END		1	
7	112-02-444-01	SCISSOR,CONDUIT PARALLEL		1	
8	HARD-656	QUICK NUT-1/4 ROD		2	
9	HARD-636	0.25X0.50X0.19 SPACER		2	
10	112-03-001-01	SCISSOR,CONDUIT UPR		1	
11	1021000102	SET COLLAR,1.25 ID		4	
12	BM-6006-1-KIT	ASM,ROLLER,1.00 W/DU		4	
13	112-02-472-01	SCISSOR, ANG SENSOR MNT		1	
14	ELEC-647	SENSOR,ANGLE		1	

FIGURE 23: PS-1430 Scissor Parts

3.3 | PS-1030 CYLINDER SUBPARTS

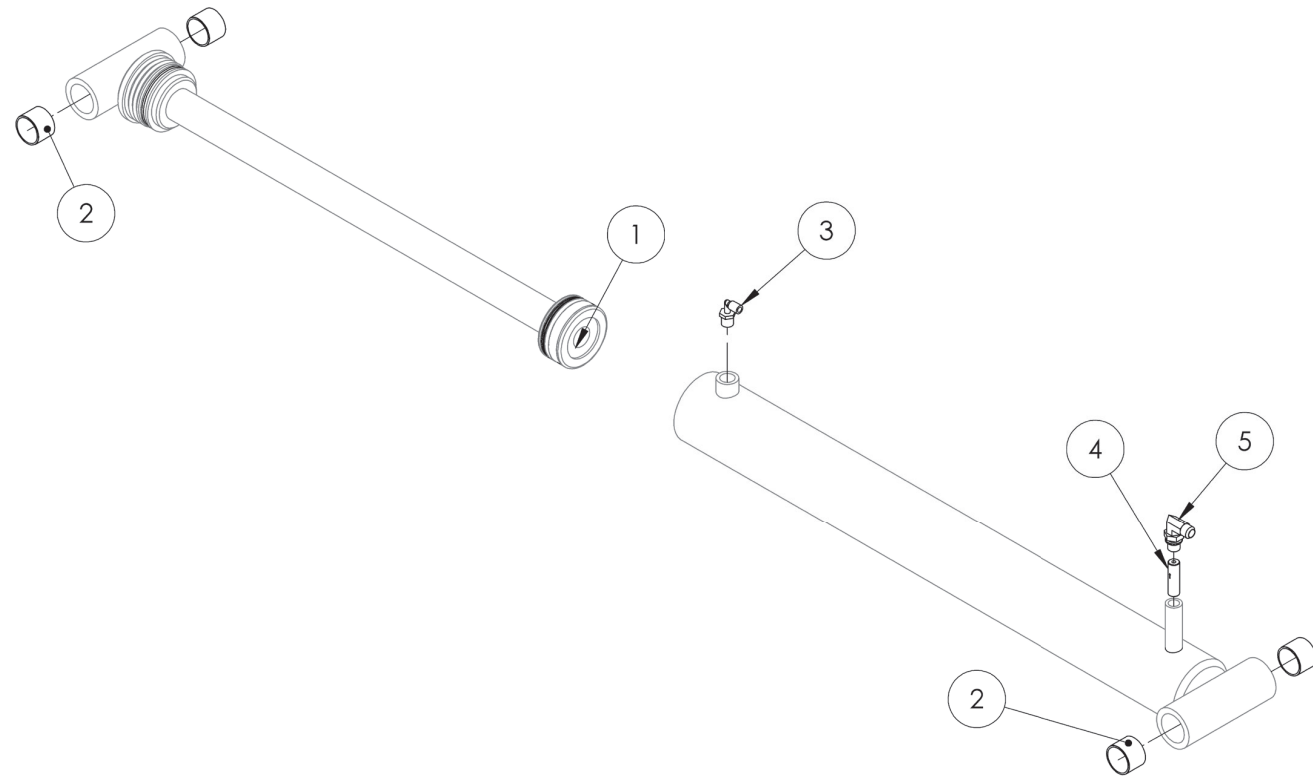


FIGURE 24: PS-1030 Cylinder Subparts

Item #	Part Number	Part Description	Notes	Qty	Superseded By
1	HYDR-007-1K	CYL,SEAL KIT 3.0 B,1.5 R		1	
2	HARD-001	DU BEARING, 1.25 ID, 1 LENGTH		4	
3	HYDR-019	FITTING,ELB,NPTM 3/8-1/4 PUSH		1	
4	HYDR-033	VELOCITY FUSE-7.0 GPM		1	
5	HYDR-035	FITTING,ELB,JICM9/16-SAEORM#6		1	

3.4 | PS-1430 CYLINDER SUBPARTS

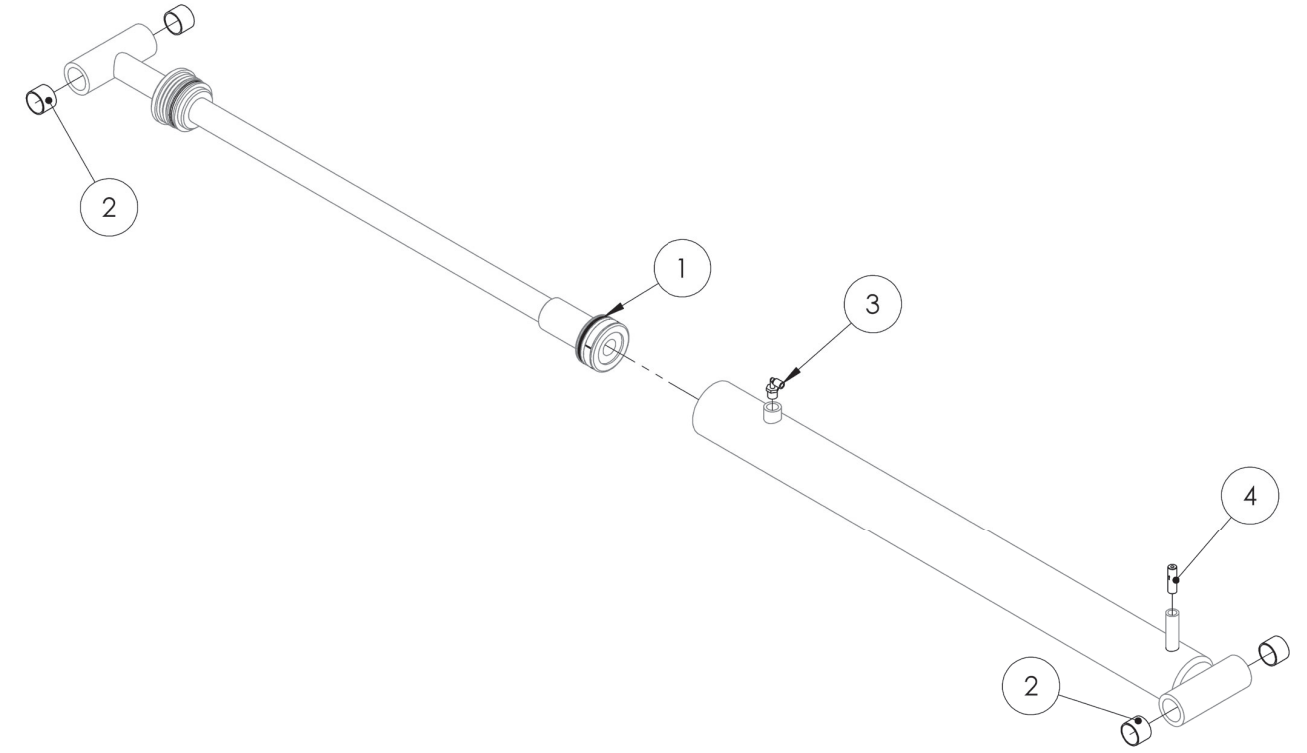


FIGURE 25: PS-1430 Cylinder Subparts

Item #	Part Number	Part Description	Notes	Qty	Superseded By
1	HYDR-041K	CYL,SEAL KIT 3.0 B, 1.5 R		1	
2	HARD-001	DU BEARING, 1.25 ID, 1 LENGTH		4	
3	HYDR-019	FITTING,ELB,NPTM 3/8-1/4 PUSH		1	
4	HYDR-033	VELOCITY FUSE-7.0 GPM		1	

SECTION 4 | PLATFORM & RAILS

4.1 | PLATFORM & RAILS PARTS

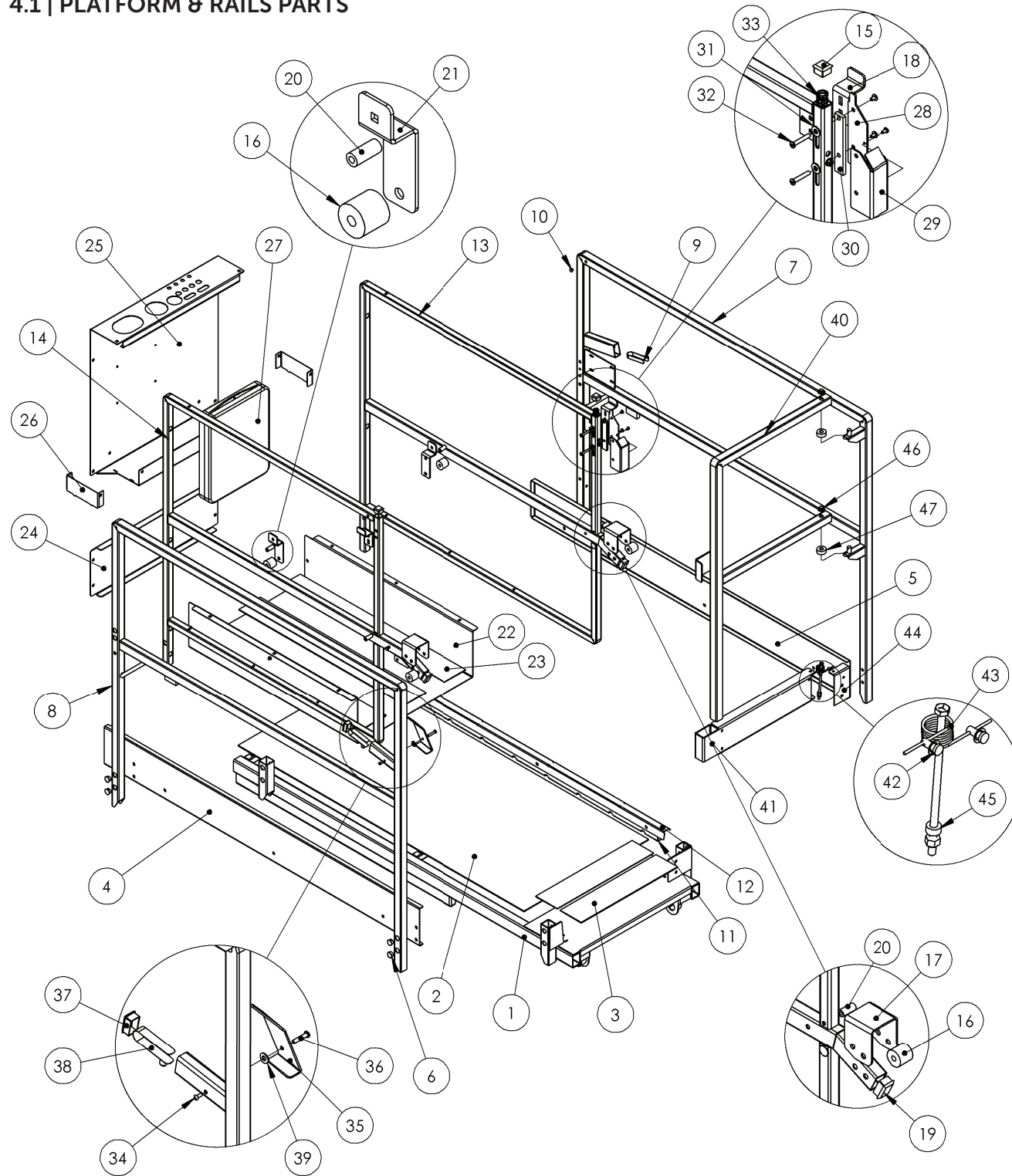


FIGURE 26: Platform & Rail Parts

Item #	Part Number	Part Description	Notes	Qty	Superseded By
1	112-04-401-01	PF,WLDMNT		1	
2	129-03-417-03	PF,DECK		1	
3	MISC-031-10-KIT	ANTI-SLIP TAPE,4.00,18.00 LENG		2	
4	112-03-414-06	RAIL,TOE BOARD 6.0,L	STANDARD YELLOW	1	
4	112-03-414-20L	RAIL,TOE BOARD 6.0,L	GREEN	1	
5	112-03-414-11	RAIL,TOE BOARD 6.0,R	STANDARD YELLOW	1	
5	112-03-414-20R	RAIL,TOE BOARD 6.0,R	GREEN	1	
6	HARD-645	PLUG,11/16 DIA, BLACK		21	
7	129-03-420-01	RAIL,WC R	STANDARD YELLOW	1	
7	129-03-420-20	RAIL,WC R	GREEN	1	
8	129-03-421-01	RAIL,WC L	STANDARD YELLOW	1	
8	129-03-421-20	RAIL,WC L	GREEN	1	
9	HARD-067	0.38SNAP BUTTON,SINGLE END		1	
10	HARD-757	PLUG,0.31 DIA,BLACK		10	
11	129-04-415-01	PF,CONDUIT CHNL LWR		1	
12	129-04-416-01	PF,CONDUIT CHNL UPR		1	
13	129-03-422-01	RAIL,SO R	STANDARD YELLOW	1	
13	129-03-422-20	RAIL,SO R	GREEN	1	
14	129-03-423-01	RAIL,SO L	STANDARD YELLOW	1	
14	129-03-423-20	RAIL,SO L	GREEN	1	
15	HARD-092	PLUG,1 SQR,BLACK		2	
16	HARD-837	ROLLER,0.386,1.25 OD,1.15		4	
17	129-03-436-01	RAIL,SO CHNL	STANDARD YELLOW	2	
17	129-03-436-20	RAIL,SO CHNL	GREEN	2	
18	129-03-427-01	RAIL,SO BRKT	STANDARD YELLOW	2	
18	129-03-427-20	RAIL,SO BRKT	GREEN	2	
19	HARD-634	PLUG,1.00X1.50,BLACK		2	
20	HARD-838	ROLLER,0.25,0.50 OD,1.15		4	
21	129-03-430-01	RAIL,SO BRKT MID	STANDARD YELLOW	2	
21	129-03-430-20	RAIL,SO BRKT MID	GREEN	2	
22	129-03-419-01	RAIL, SO FLOOR BOLT-ON	STANDARD YELLOW	1	
22	129-03-419-20	RAIL, SO FLOOR BOLT-ON	GREEN	1	
23	MISC-031-01-KIT	ANTI-SLIP TAPE,4.00,31.00 LENG		3	
24	129-03-418-01	RAIL,SO TOE BOARD,D	STANDARD YELLOW	1	
24	129-03-418-20	RAIL,SO TOE BOARD,D	GREEN	1	
25	112-03-413-01	RAIL,SO FRONT PANEL/TOOL TRAY	STANDARD YELLOW	1	
25	112-03-413-20	RAIL,SO FRONT PANEL/TOOL TRAY	GREEN	1	

LIST CONTINUED ON THE NEXT PAGE (38)

SECTION 4 | PLATFORM & RAILS

26	112-03-412-01	RAIL,TOOL TRAY CAP	STANDARD YELLOW	2
26	112-03-412-20	RAIL,TOOL TRAY CAP	GREEN	2
27	HARD-603	MANUAL BOX		1
28	129-03-438-01	RAIL,SO LATCH	STANDARD YELLOW	1
28	129-03-438-20	RAIL,SO LATCH	GREEN	1
29	129-03-439-01	RAIL,SO LOCK BRKT	STANDARD YELLOW	1
29	129-03-439-20	RAIL,SO LOCK BRKT	GREEN	1
30	129-03-460-03	PF,RAIL SPACER		1
31	HARD-626-2	WASHER,0.3ID,0.7OD, 0.06THK,NYL		2
32	SPBB-1024-150	0.25 X 1.50 BIND BARREL,10-24		2
33	HARD-840	SPRING,COMP 2.00 X 0.72		1
34	SCREW-1100	10-24 X 0.50 PAN HEAD SCRW		1
35	LAS-M089-PC	RAIL,GATE LATCH	STANDARD YELLOW	1
35	LAS-M089-PCG	RAIL,GATE LATCH	GREEN	1
36	HARD-649	0.25 X 1.25 BIND BARREL,10-24		1
37	HARD-634	PLUG,1.00X1.50,BLACK		1
38	HARD-066	0.50 SNAP BUTTON,SINGLE END		1
39	HARD-626-2	WASHER,0.3ID,0.7OD, 0.06THK,NYL		1
40	129-03-471-01	RAIL,GATE WLDMNT	STANDARD YELLOW	1
40	129-03-471-20	RAIL,GATE WLDMNT	GREEN	1
41	129-03-472-01	RAIL,GATE TOEBOARD	STANDARD YELLOW	1
41	129-03-472-20	RAIL,GATE TOEBOARD	GREEN	1
42	HARD-641-23	.25X.44U X .63L CLEVIS PIN		2
43	HARD-822	SPRING,TOR .095 DIA,17 IN-LB		1
44	112-04-412-01	PF,GATE MNT	STANDARD YELLOW	1
44	112-04-412-20	PF,GATE MNT	GREEN	1
45	HARD-636-1	0.25X0.50X0.25 SPACER		1
46	HARD-656-1	1/2 PUSH NUT CAP,QUICK		2
47	143-04-007-04	SPACER,.5ID,1.25OD, 0.5 THK		2

THIS PAGE WAS INTENTIONALLY LEFT BLANK

5.1 | PS-1030 DECALS

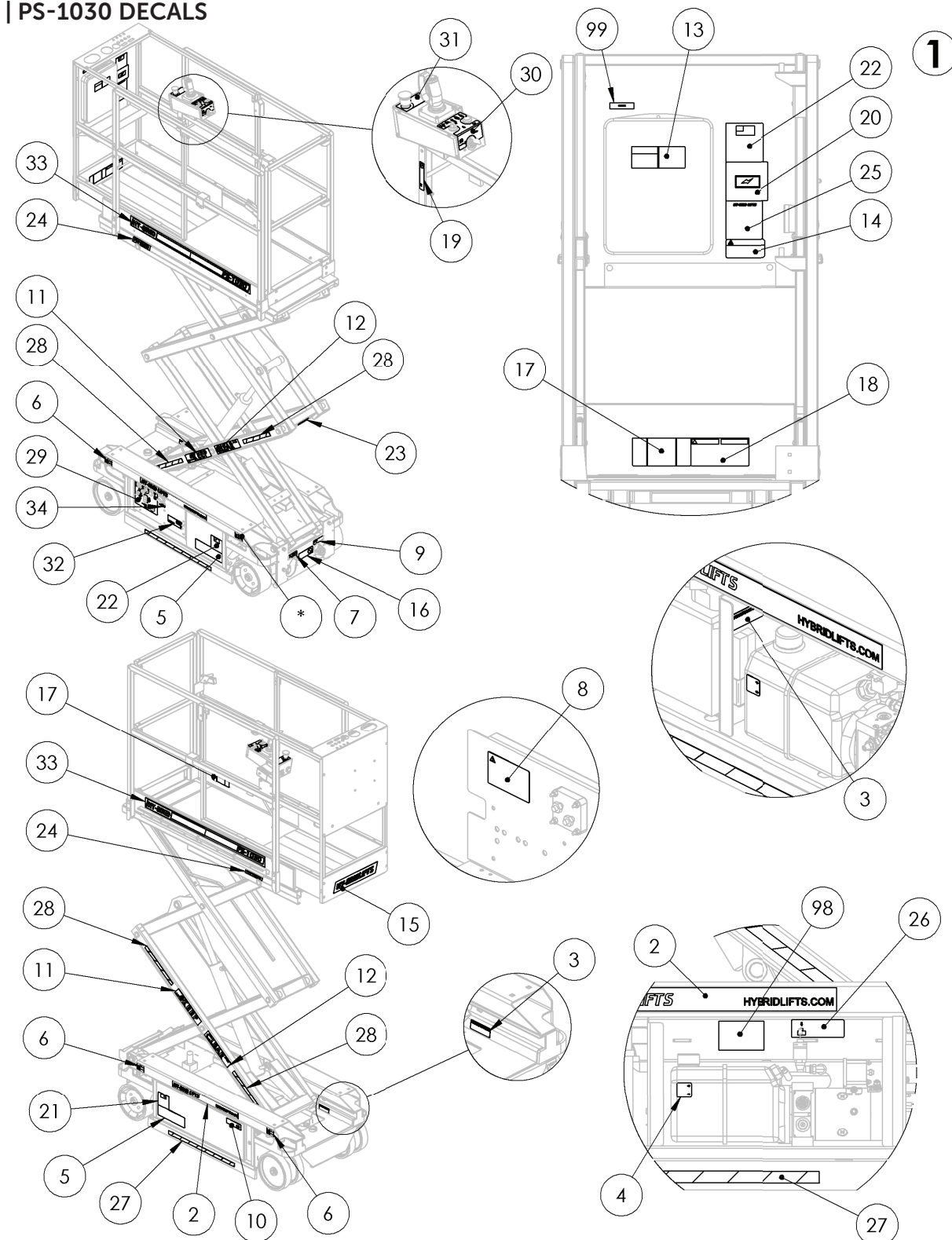


FIGURE 27: PS-1030 Decals

Item #	Part Number	Part Description	Notes	Qty	Superseded By
1	112-21-418-50-K	DECALS,PS-1030 S4		1	
2	DE1002	DECAL,WEBSITE		2	
3	DE1007	DECAL,MAINT LOCK		3	
4	DE1008	DECAL,HYDR FLUID		1	
5	DE1011	DECAL,LWR		2	
6	DE1013	DECAL,WHEEL LOAD PS-1030 S4		4	
7	DE1021	DECAL,CHARGER CORD		1	
8	DE1022	DECAL,BATT/CHR COMPATABILITY		1	
9	DE1023	DECAL,PTP		1	
10	DE1028	DECAL,E- DOWN LOCATION		1	
11	DE1103	DECAL,KEEP		2	
12	DE1104	DECAL,CLEAR		2	
13	DE1203	DECAL,MANUAL BOX		1	
14	DE1204	DECAL,CAPACITY,TOOL TRAY		1	
15	DE1207	DECAL,HY-BRID LIFTS		1	
16	DE1208	DECAL,BRAKE RELEASE/NO TOW		1	
17	DE1209	DECAL,CAPACITY,750#,2P,I,W/SO		2	
18	DE1217	DECAL,UPR HB		1	
19	DE1218	DECAL,LANYARD ATTACHMENT,1P		2	
20	DE1219	DECAL,BATT CHARGE DAILY		1	
21	DE1031	DECAL,MADE IN USA MIRROR		1	
22	DE1221	DECAL,MADE IN USA		2	
23	DE1230	DECAL,PROP 65		1	
24	DE1236	DECAL,SERIES PS		2	
25	DE1237	DECAL,PS-1030 INFO		1	
26	DE1239	DECAL,E-DOWN INSTRUCTION		1	
27	DE717-61	DECAL,SAFETY STRIPE (24.00)		2	
28	DE717-62	DECAL,SAFETY STRIPE (12.00)		4	
29	DE837	DECAL,CTL LWR HBLGS4		1	
30	DE793	DECAL,CTL UPR HBS4,ACT		1	
31	DE794	DECAL,CTL UPR ID HBS4,ACT		1	
32	DE838	DECAL,CHARGER		1	
33	DE1213	DECAL,MODEL PS-1030		2	
34	DE841	DECAL,BATT DISCONNECT		1	
98	N/A	SERIAL NUMBER LABEL		0	
99	N/A	SERIAL NUMBER REFERENCE		0	

5.2 | PS-1430 DECALS

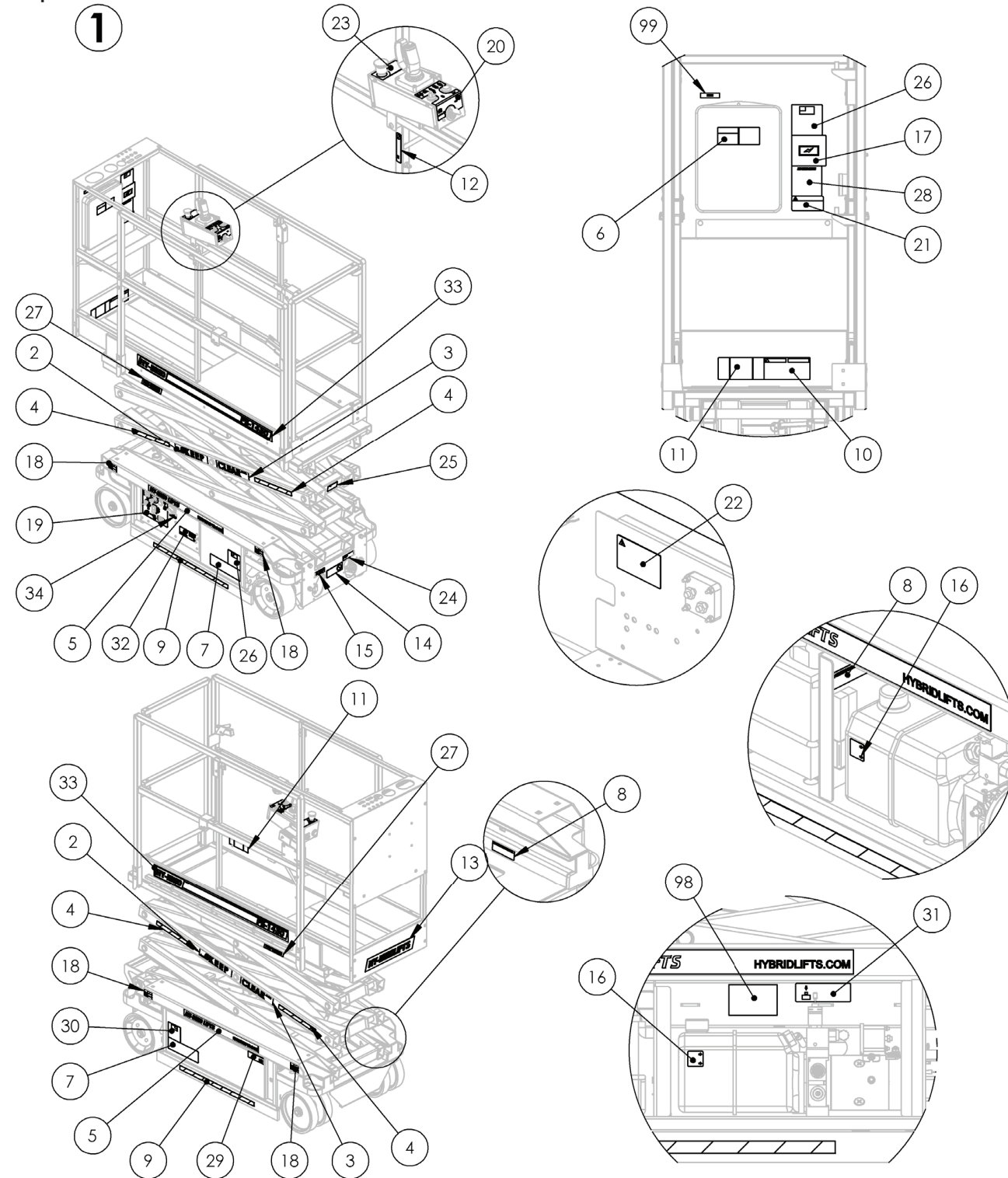


FIGURE 28: PS-1430 Decals

Item #	Part Number	Part Description	Notes	Qty	Superseded By
1	112-21-418-55-K	DECALS,HB-1430 S4		1	
2	DE1103	DECAL,KEEP		2	
3	DE1104	DECAL,CLEAR		2	
4	DE717-62	DECAL,SAFETY STRIPE (12.00)		4	
5	DE1002	DECAL,WEBSITE		2	
6	DE1203	DECAL,MANUAL BOX		1	
7	DE1011	DECAL,LWR		2	
8	DE1007	DECAL,MAINT LOCK		3	
9	DE717-61	DECAL,SAFETY STRIPE (24.00)		2	
10	DE1217	DECAL,UPR HB		1	
11	DE1210	DECAL,CAPACITY,670#,2P,I,W/SO		2	
12	DE1218	DECAL,LANYARD ATTACHMENT,1P		2	
13	DE1207	DECAL,HY-BRID LIFTS		1	
14	DE1208	DECAL,BRAKE RELEASE/NO TOW		1	
15	DE1021	DECAL,CHARGER CORD		1	
16	DE1008	DECAL,HYDR FLUID		1	
17	DE1219	DECAL,BATT CHARGE DAILY		1	
18	DE1014	DECAL,WHEEL LOAD PS-1430 S4		4	
19	DE837	DECAL,CTL LWR HBLGS4		1	
20	DE793	DECAL,CTL UPR HBS4,ACT		1	
21	DE1204	DECAL,CAPACITY,TOOL TRAY		1	
22	DE1022	DECAL,BATT/CHR COMPATABILITY		1	
23	DE794	DECAL,CTL UPR ID HBS4,ACT		1	
24	DE1023	DECAL,PTP		1	
25	DE1230	DECAL,PROP 65		1	
26	DE1221	DECAL,MADE IN USA		2	
27	DE1236	DECAL,SERIES PS		2	
28	DE1238	DECAL,PS-1430 INFO		1	
29	DE1028	DECAL,E- DOWN LOCATION		1	
30	DE1031	DECAL,MADE IN USA MIRROR		1	
31	DE1239	DECAL,E-DOWN INSTRUCTION		1	
32	DE838	DECAL,CHARGER		1	
33	DE1214	DECAL,MODEL PS-1430		2	
98	N/A	SERIAL NUMBER LABEL		0	
99	N/A	SERIAL NUMBER REFERENCE		0	

6.1 | OPTIONS & MISCELLANEOUS PARTS

Item #	Part Number	Part Description	Notes	Qty	Superseded By
1	1022000850-KIT	BEACON,FLASHING AMBER PS S4		1	
2	HS-HB	HYDR SCH,HBLG	HYDRAULIC SCHEMATIC	1	
3	MISC-600	MANUAL,AERIAL PF		1	
4	MISC-601	MANUAL,RESPONSIBILITIES A92.6		1	
5	MISC-624	PAINT,WHITE TOUCH-UP SPRAY		1	
6	MISC-625	PAINT,YELLOW TOUCH-UP SPRAY		1	
7	MISC-627	PAINT,GREEN TOUCH-UP SPRAY		1	
8	SUPO-740	MANUAL,PARTS PS-1030/1430 S4		1	
9	SUPO-741	MANUAL OP,PRO SERIES S4		1	
10	SUPO-742	MANUAL,MAINT,PRO SERIES,S4		1	

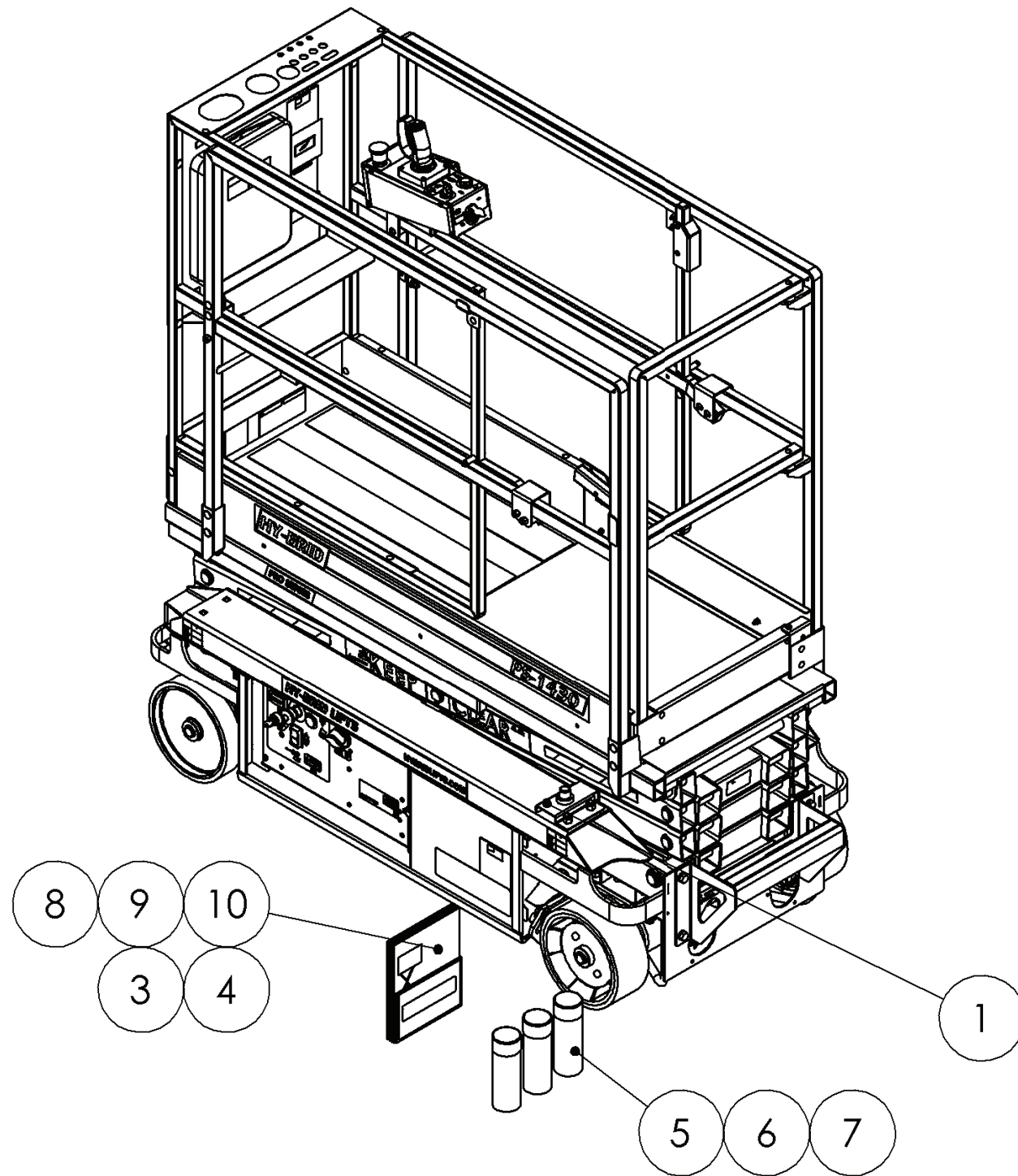


FIGURE 29: Options & Miscellaneous Parts

HY-BRID LIFTS[™]

BY CUSTOM EQUIPMENT LLC

Self-Propelled Mobile Elevated Work Platform
Parts Manual
PS-1030 | PS-1430

© 2020 Custom Equipment, LLC
2647 Highway 175
Richfield, WI 53076
U.S.A.
Tel. +1-262-644-1300
Fax: +1-262-644-1320
www.hybridlifts.com
webservice@hybridlifts.com

"Hy-Brid Lifts" is a trademark of Custom Equipment, LLC
These machines comply with ANSI/SIA A92.6

Revision Date: January 2020

Printed in the U.S.A.