

HY-BRID LIFTS™

BY CUSTOM EQUIPMENT LLC

PARTS MANUAL

PUSH-AROUND AERIAL WORK PLATFORM

SUPO-734

REV B



HB-P830

HB-P830CE

SERIES I

Model HB-P830 Serial # Ranges:
D05-10002-D05-10099

Model HB-P830CE Serial # Ranges:
E510002-E510061
E05-10062-E05-10399

TABLE OF CONTENTS

NOTES.....	2
SERIAL NUMBER REFERENCE PAGE.....	3
TABLE OF CONTENTS.....	4
INDEX OF FIGURES.....	5
SECTION 1 BASE	6
1.1 CASTER PARTS.....	6
1.2 CASTER SUBPARTS	8
1.3 FRONT WHEEL SUBPARTS.....	9
1.4 BRAKE SUBPARTS	10
1.5 PUMP PARTS.....	12
1.6 PUMP SUBPARTS	13
1.7 MISCELLANEOUS BASE PARTS	14
SECTION 2 CONTROLS	16
2.1 ELECTRICAL PARTS - ANSI.....	16
2.2 ELECTRICAL PARTS - CE.....	18
2.3 UPPER CONTROL PARTS - ANSI	20
2.4 UPPER CONTROL PARTS - CE	21
2.5 LOWER CONTROL PARTS - ANSI.....	22
2.6 LOWER CONTROL PARTS - CE.....	23
2.7 MASTER POWER SWITCH SUBPARTS.....	24
2.8 KEY SWITCH SUBPARTS.....	24
SECTION 3 SCISSORS	26
3.1 SCISSORS PARTS.....	26
3.2 CYLINDER SUBPARTS - ANSI	27
3.3 CYLINDER SUBPARTS - CE.....	28
SECTION 4 PLATFORM & RAILS.....	30
SECTION 5 DECALS.....	32
5.1 DECALS - ANSI.....	32
5.2 DECALS - CE.....	34
SECTION 6 OPTIONS & MISCELLANEOUS	36
NOTES.....	38

INDEX OF FIGURES

FIGURE 1: Caster Parts.....	6
FIGURE 2: Caster Subparts	8
FIGURE 3: Front Wheel Subparts.....	9
FIGURE 4: Brake Subparts	10
FIGURE 5: Pump Parts	12
FIGURE 6: Pump Subparts	13
FIGURE 7: Miscellaneous Parts	14
FIGURE 8: Electrical Parts - ANSI	16
FIGURE 9: Electrical Parts - CE	18
FIGURE 10: Upper Control Parts - ANSI	20
FIGURE 11: Upper Control Parts - CE.....	21
FIGURE 12: Lower Control Parts - ANSI	22
FIGURE 13: Lower Control Parts - CE	23
FIGURE 14: Master Power Switch Subparts.....	24
FIGURE 15: Key Switch Subparts	24
FIGURE 16: Scissors Parts.....	26
FIGURE 17: Cylinder Subparts - ANSI	27
FIGURE 18: Cylinder Subparts - CE.....	28
FIGURE 19: Platform & Rails	30
FIGURE 20: Decals - ANSI.....	32
FIGURE 21: Decals - CE	34
FIGURE 22: Options & Miscellaneous.....	36

1.1 | CASTER PARTS

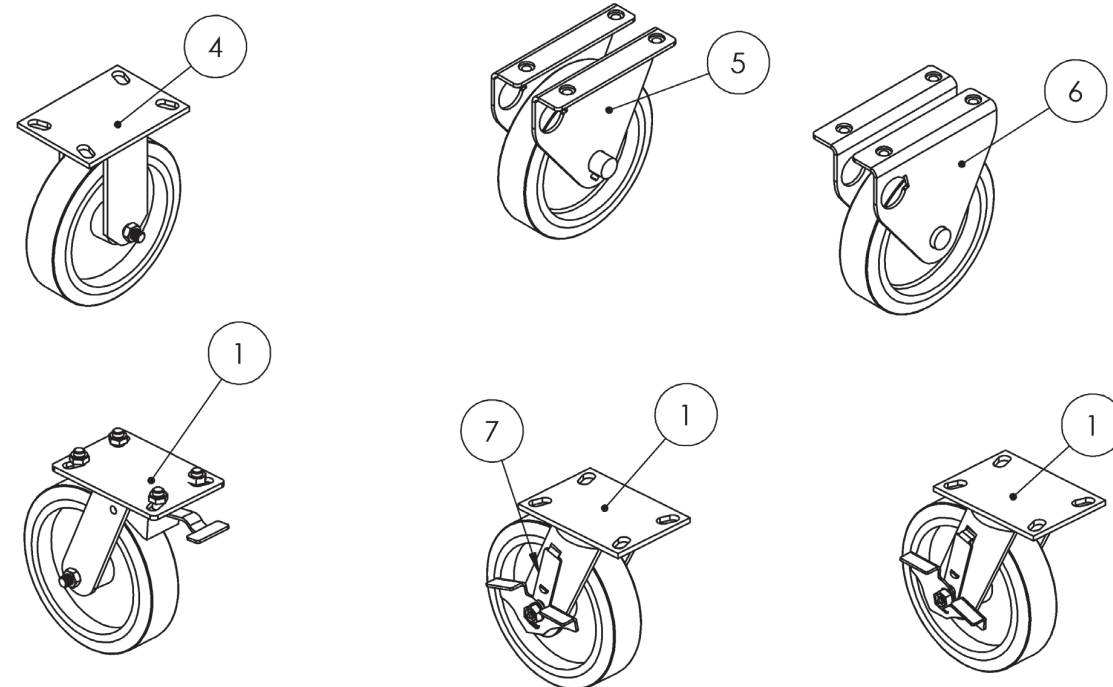
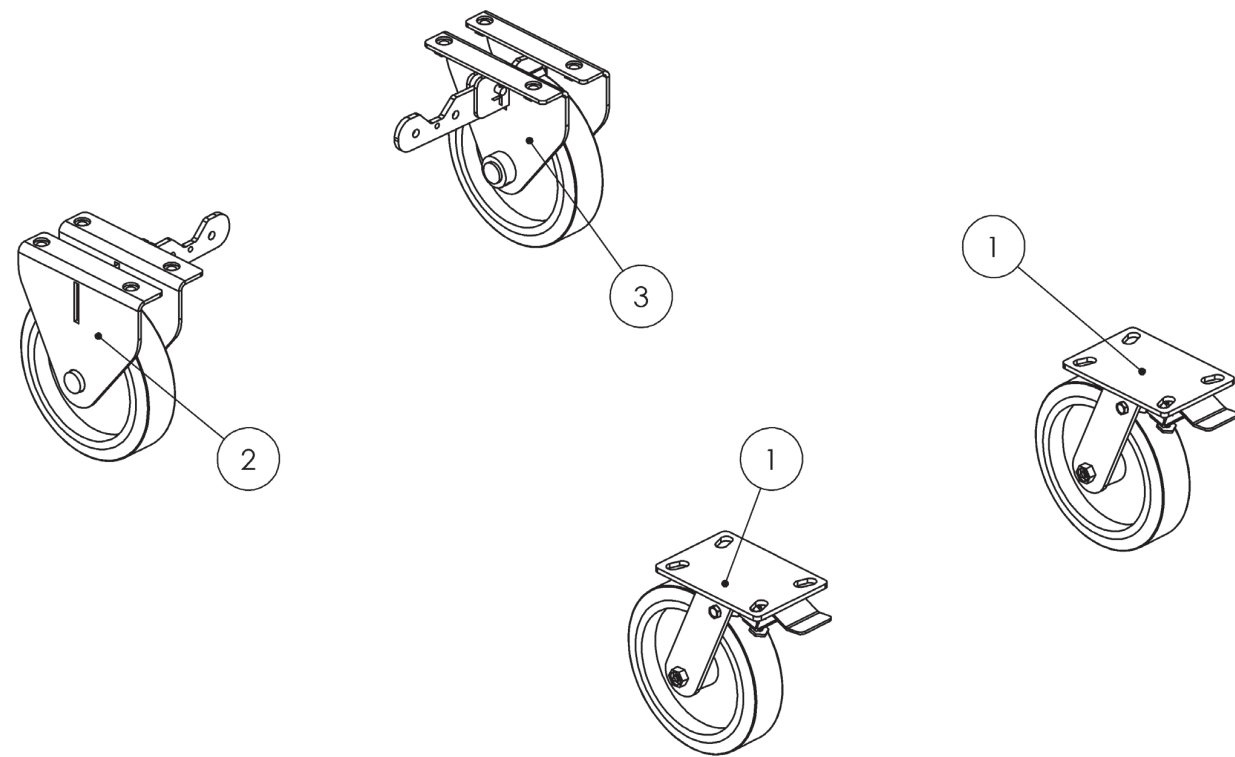


FIGURE 1: Caster Parts

Item #	Product Number	Product Description	Notes	Qty	Superseded By
1	1002100597	ASM,BASE CASTER SWIVEL	Superseded;	1	WHEE-713-5-KIT
1	WHEE-703	WHL,8X2 GREY NM,CASTER TOP BRK	Superseded;	1	WHEE-713-5-KIT
1	WHEE-703-1	WHL,8X2 GREY NM,CASTER	Superseded;	1	WHEE-713-5-KIT
1	WHEE-713-5-KIT	WHL,8X2 GREY,W/FORK TOTAL LOCK		1	
2	1002100581	ASM,BASE CASTER RIGHT	D05-10003-D05-10073 E05-10164-E05-10325 Identify by slot in caster side	1	
3	1002100580	ASM,BASE CASTER LEFT	D05-10003-D05-10073 E05-10164-E05-10325 Identify by slot in caster side	1	
4	144-21-031-50-K	ASM,BASE CASTER,RIGID	D05-0002, E510002-E510061, E05-10062-E05-10124	1	
4	WHEE-702	WHL,8X2 GREY NM,CASTER RIGID	Superseded; D05-0002, E510002-E510061, E05-10062-E05-10124	2	144-21-031-50-K
5	1002100581-RA	ASM,BASE CASTER RIGHT	E05-10064-E05-10163; Identify by round hole in caster side	1	
6	1002100580-RA	ASM,BASE CASTER LEFT	E05-10064-E05-10163; Identify by round hole in caster side	1	
7	1000115402	WHL,BRAKE TANG/STOP		1	

1.2 | CASTER SUBPARTS

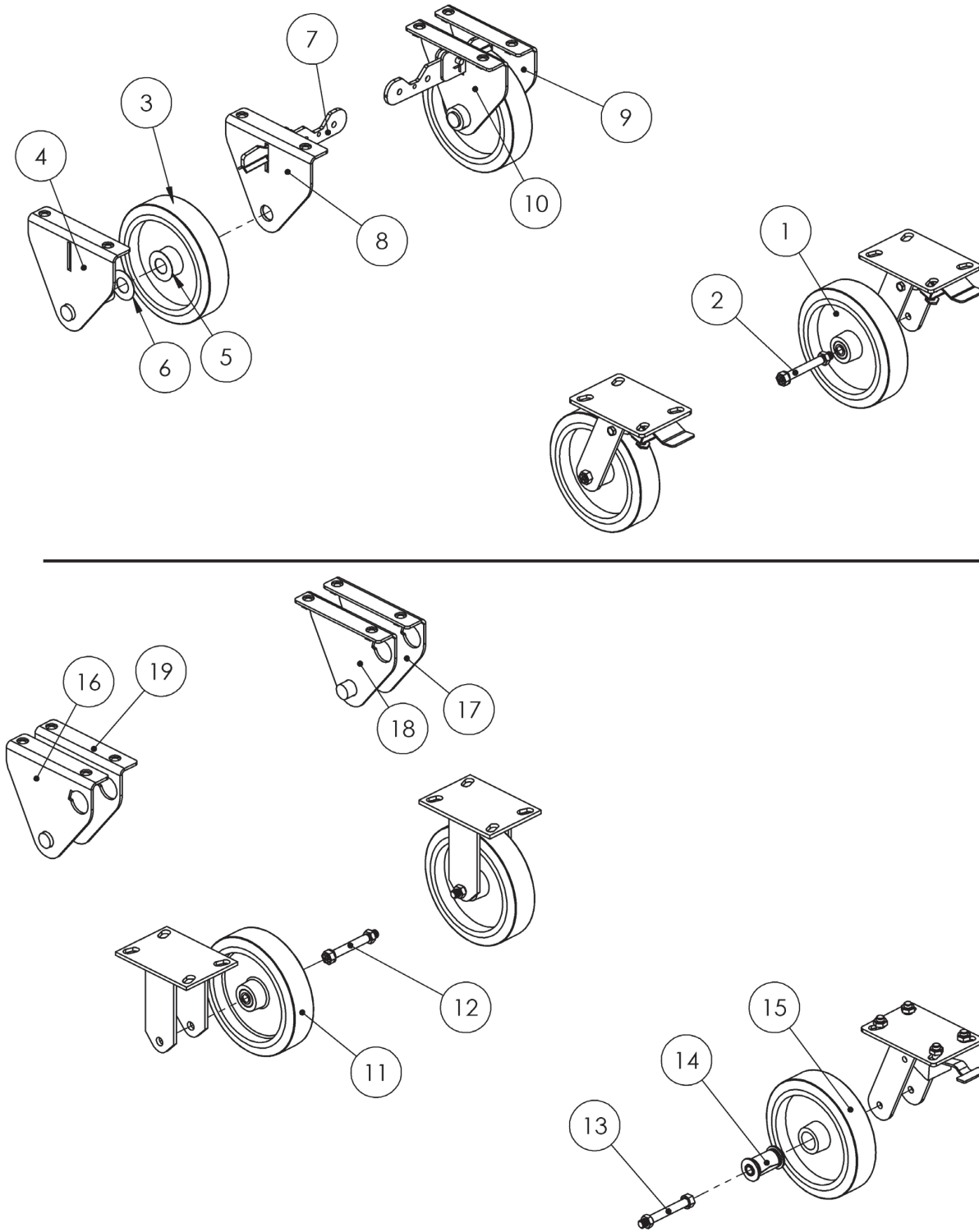


FIGURE 2: Caster Subparts

Item #	Product Number	Product Description	Notes	Qty	Superseded By
1	WHEE-701	WHL,8X2,GREY NM RB 0.5 AXLE	MAY SUBSTITUTE WHEE-706 & WHEE-002-1	1	
2	WHEE-002-2	WHL,AXLE KIT 0.5X3.25		1	
3	WHEE-706-KIT	WHL,8X2,GREY NM BORE 1.25	D05-10003-D05-10072 E05-10125-E05-10318	1	
4	1000114712	BASE,CASTER SIDE W/PIN	D05-10003-D05-10072 E05-10164-E05-10318	1	
5	WHEE-609-P	1.02X2.00X0.03 WASH,P	D05-10003-D05-10072 E05-10125-E05-10318	2	
6	WHEE-609-SS	1.02X2.00X0.03 WASH,S	D05-10003-D05-10072 E05-10125-E05-10318	2	
7	1000115802	BASE,BRAKE W/LDMNT	D05-10003-D05-10072 E05-10164-E05-10318; Identify by slot in caster side	1	
8	1000116212	BASE,CASTER SIDE	D05-10003-D05-10072 E05-10164-E05-10318; Identify by slot in caster side	1	
9	1000114707	BASE,CASTER SIDE W/PIN	D05-10003-D05-10072 E05-10164-E05-10318; Identify by slot in caster side	1	
10	1000116207	BASE,CASTER SIDE	D05-10003-D05-10072 E05-10164-E05-10318; Identify by slot in caster side	1	
11	WHEE-701	WHL,8X2,GREY NM RB 0.5 AXLE	MAY SUBSTITUTE WHEE-706 & WHEE-002-1	1	
12	WHEE-002-2	WHL,AXLE KIT 0.5X3.25		1	
13	WHEE-002-2	WHL,AXLE KIT 0.5X3.25		1	
14	WHEE-002-1	WHL,BEARING KIT,0.5 X 2.0 AXLE		1	
15	WHEE-706	WHL,8X2,GREY NM BORE 1.25		1	
16	1000114712-RA	BASE,CASTER SIDE W/PIN	E05-10125-E05-10163; Identify by round hole in caster side	1	
17	1000114707-RA	BASE,CASTER SIDE W/PIN	E05-10125-E05-10163; Identify by round hole in caster side	1	
18	1000114407-RA	BASE,CASTER SIDE	E05-10125-E05-10163; Identify by round hole in caster side	1	
19	1000114412-RA	BASE,CASTER SIDE	E05-10125-E05-10163; Identify by round hole in caster side	1	

1.3 | FRONT WHEEL SUBPARTS

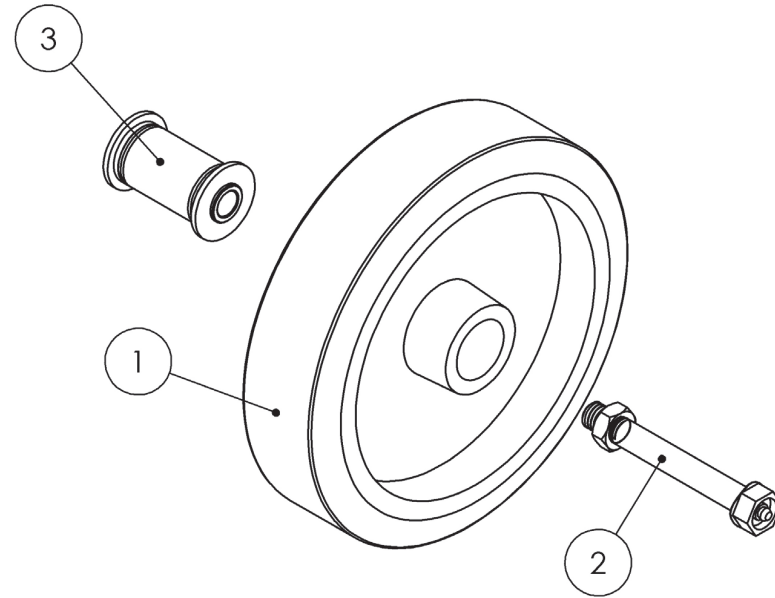


FIGURE 3: Front Wheel Subparts

Item #	Product Number	Product Description	Notes	Qty	Superseded By
1	WHEE-706	WHL,8X2,GREY NM BORE 1.25		1	
2	WHEE-002-2	WHL,AXLE KIT 0.5X3.25		1	
3	WHEE-002-1	WHL,BEARING KIT,0.5 X 2.0 AXLE		1	

THIS PAGE WAS INTENTIONALLY LEFT BLANK

1.4 | BRAKE SUBPARTS

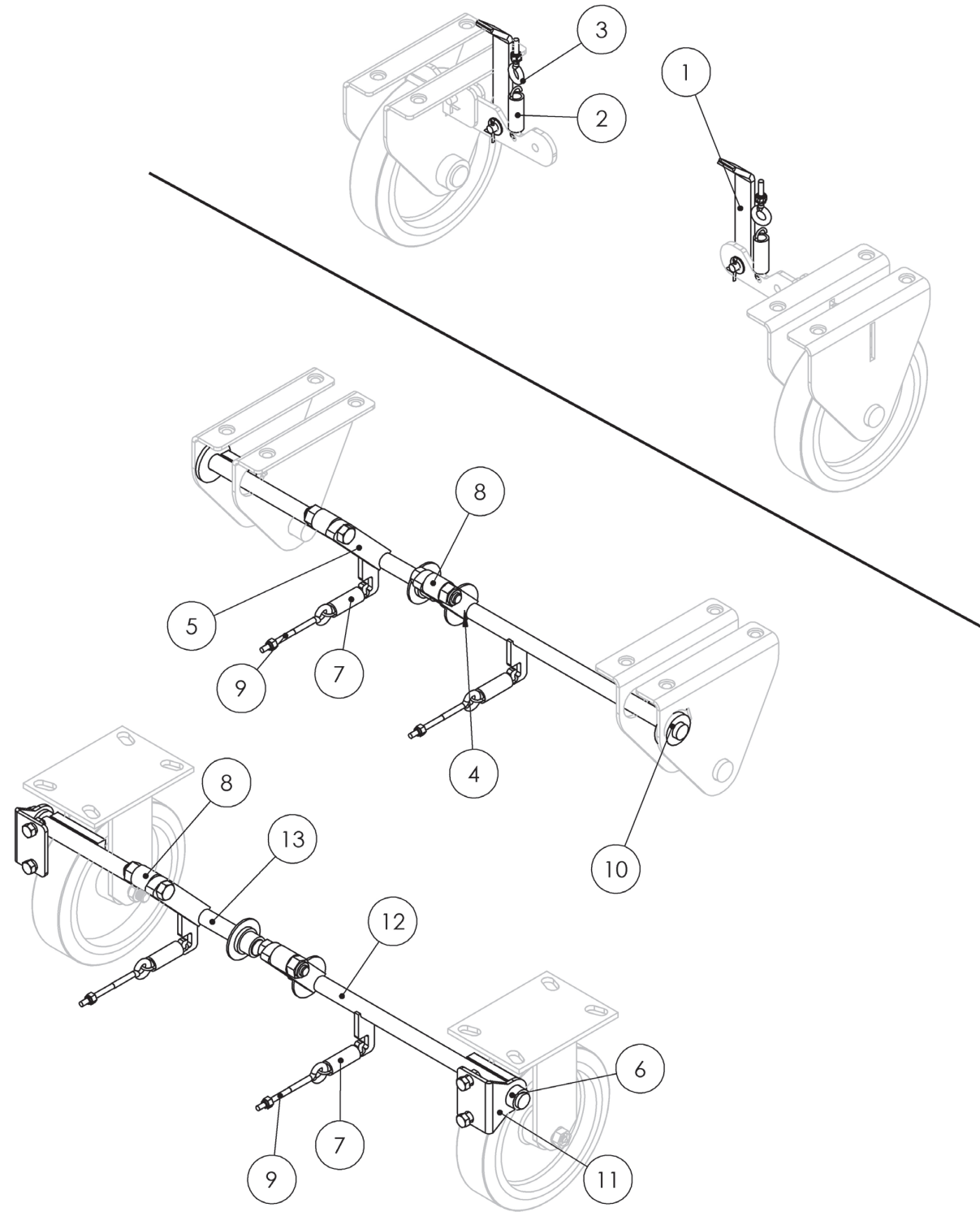


FIGURE 4: Brake Subparts

Item #	Product Number	Product Description	Notes	Qty	Superseded By
1	1000116702	BASE,BRAKE ACT	D05-10003-D05-10073 E05-10164-E05-10325	2	
2	HARD-668	SPRING,EXT 2.75 X .69,OD	D05-10003-D05-10073 E05-10164-E05-10325	2	
3	HARD-712	1/4-20 X 1.50 EYEBOLT	D05-10003-D05-10073 E05-10164-E05-10325	2	
4	1000114812	BASE,BRAKE WLDMNT	E05-10125-E05-10163	1	
5	1000114807	BASE,BRAKE WLDMNT	E05-10125-E05-10163	1	
6	HARD-666	0.75X1.00X0.63 FLNG BUSHING	D05-10002 E510002-E510061 E05-10062-E05-10063	6	
7	HARD-668	SPRING,EXT 2.75 X .69,OD	D05-10002 E510002-E510061 E05-10062-E05-10063	4	
8	1000113604	BASE,BRAKE ACT	D05-10002 E510002-E510061 E05-10062-E05-10063	4	
9	HARD-667	1/4-20 X 3.50 EYEBOLT	D05-10002 E510002-E510061 E05-10062-E05-10063	4	
10	1000114604	BUSHING,.75,1.5 OD,.3FLANGED	E05-10125-E05-10163	2	
11	1000104301	BASE,BRKT BRAKE MNT	D05-10002 E510002-E510061 E05-10062-E05-10063	2	
12	1000113112	BASE,BRAKE WLDMNT	D05-10002 E510002-E510061 E05-10062-E05-10063	1	
13	1000113107	BASE,BRAKE WLDMNT	D05-10002 E510002-E510061 E05-10062-E05-10063	1	

1.5 | PUMP PARTS

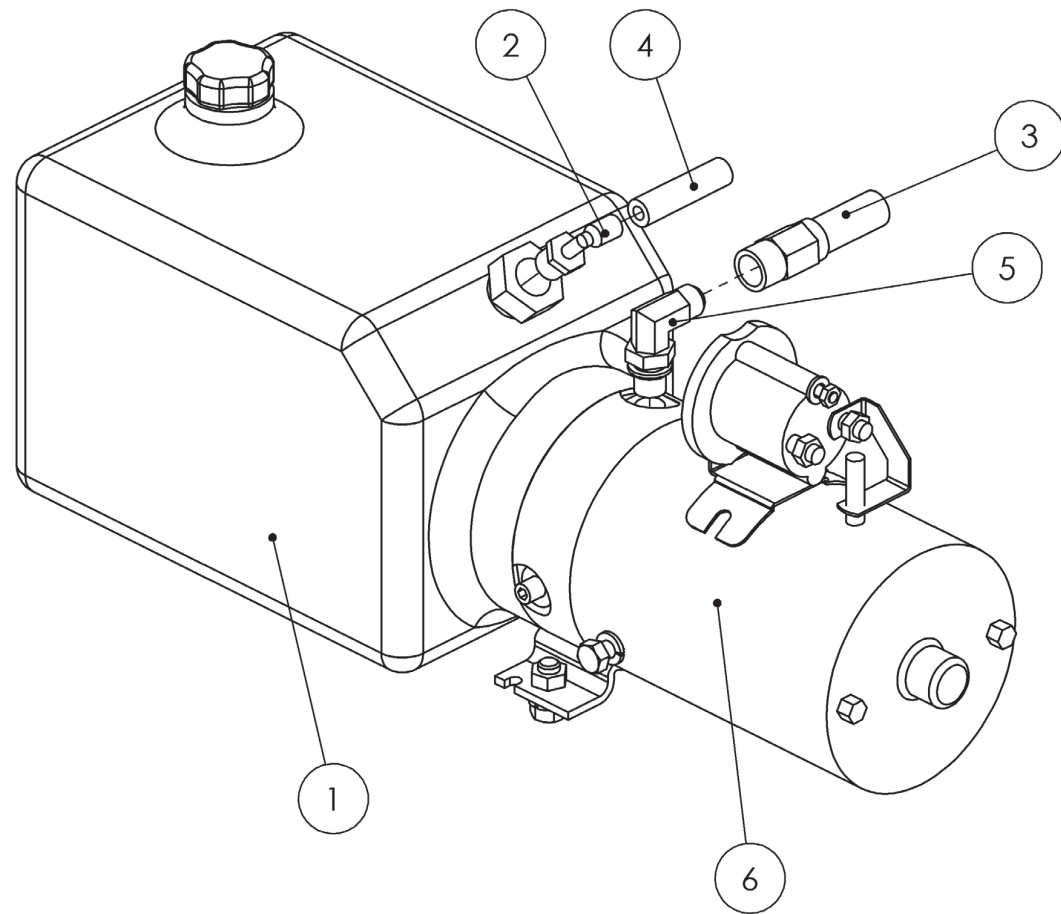


FIGURE 5: Pump Parts

Item #	Product Number	Product Description	Notes	Qty	Superseded By
1	HYDR-032	HYDRAULIC OIL	Not available as a replacement part. Replace with Flomite #150, Dexron II, Mobil-DTE 2 or equivalent 32 weight implement oil.	1	
2	HYDR-019	FITTING,ELB,NPTM 3/8-1/4 PUSH		1	
3	HYDR-600-5	HOSE ASM,PRECUT 8FT3X		1	
4	HYDR-022-3	LOW PRESSURE HOSE	QUANTITY IN INCHES	81	
5	HYDR-035	FITTING,ELB,JICM9/16-SAEORM#6		1	
6	HYDR-050-4	PUMP,12VDC,0.073,1.15,NA		1	

1.6 | PUMP SUBPARTS

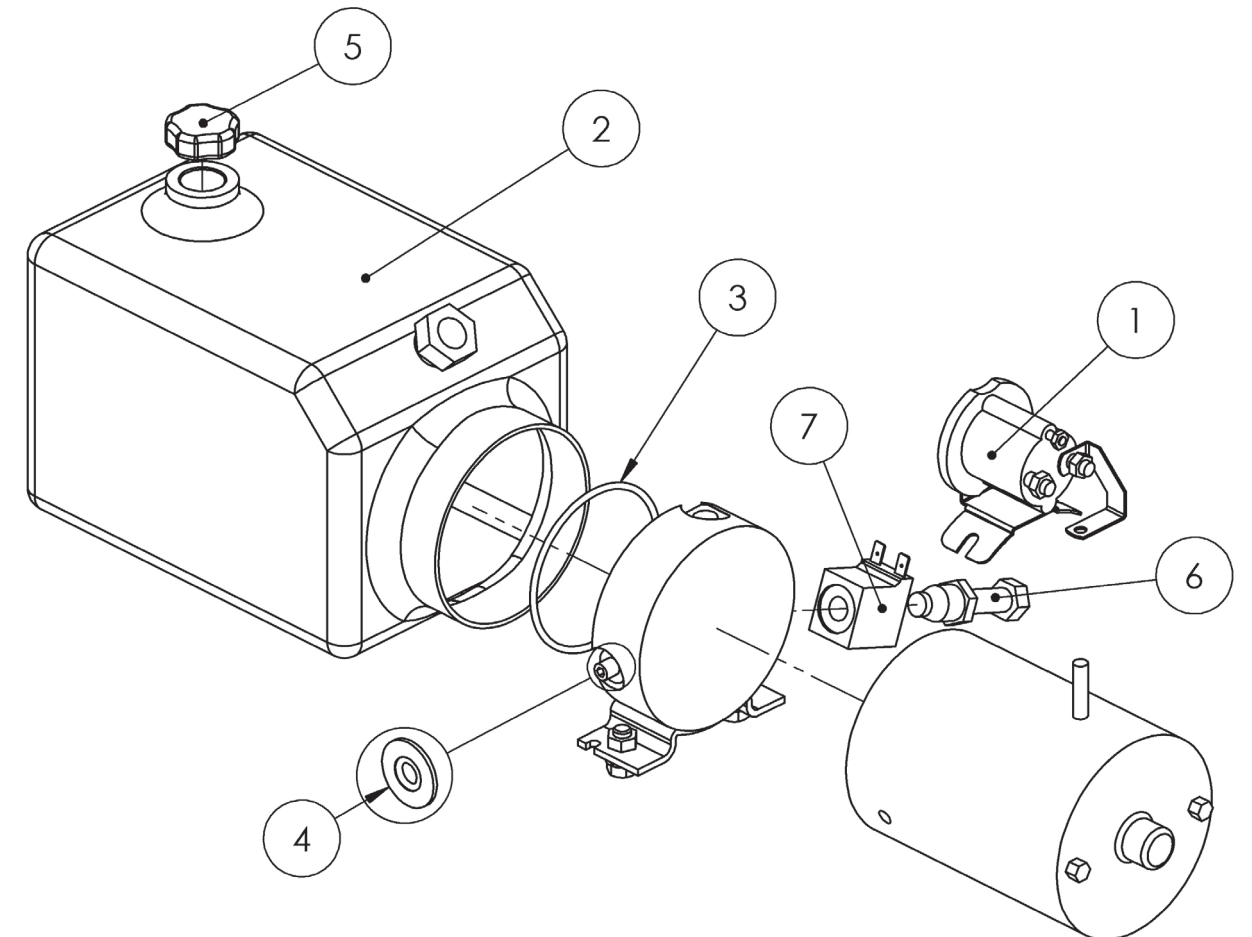


FIGURE 6: Pump Subparts

Item #	Product Number	Product Description	Notes	Qty	Superseded By
1	HYDR-674	SOLENOID,12V,GROUNDED,SPST		1	
2	HYDR-067	PUMP RESERVOIR,1.15 GAL		1	
3	HYDR-068	PUMP RESERVOIR O-RING		1	
4	HYDR-667	WASH,0.38 ID,0.75 OD,PRES SEAL		1	
5	HYDR-042	PUMP RESERVOIR CAP		1	
6	HYDR-665	VALVE,NO,2W/2P,#8,UP		1	
7	HYDR-673	COIL,10V		1	

1.7 | MISCELLANEOUS BASE PARTS

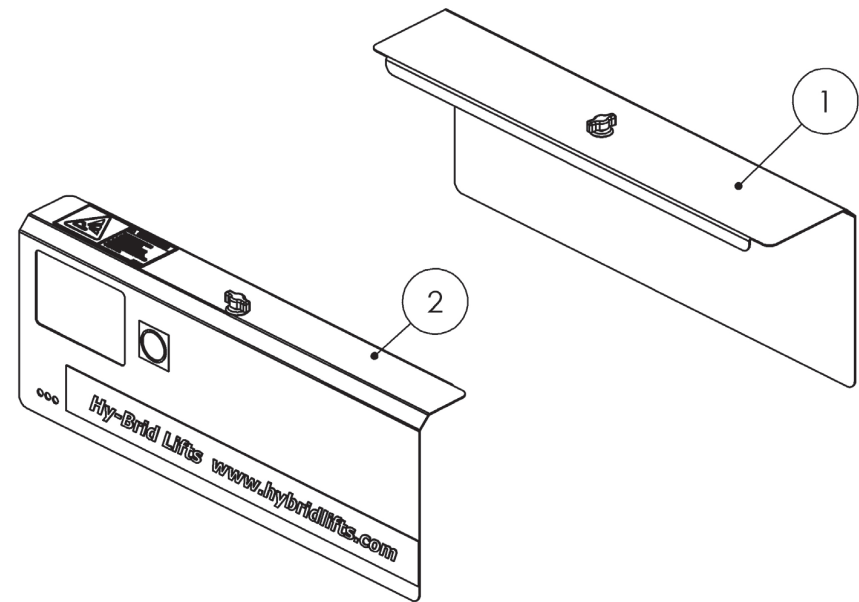
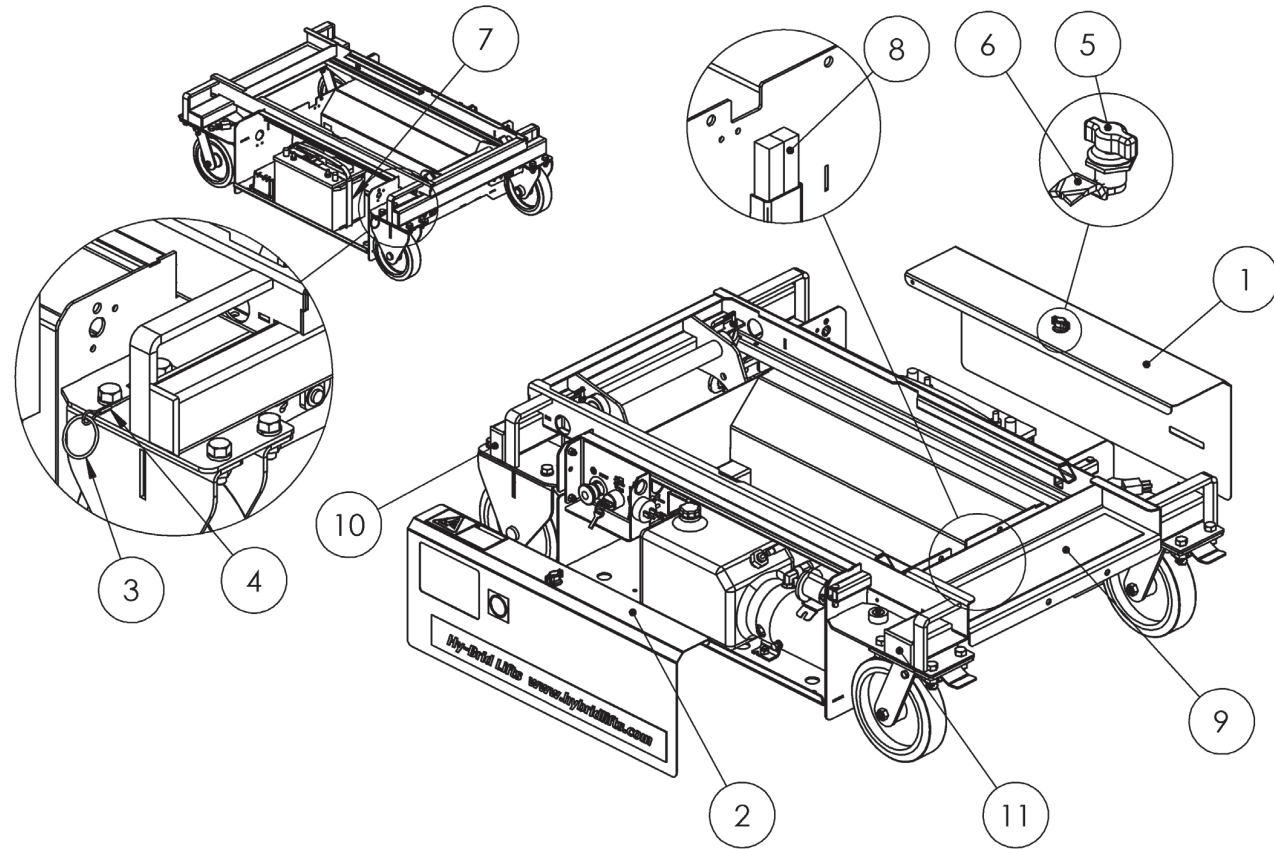
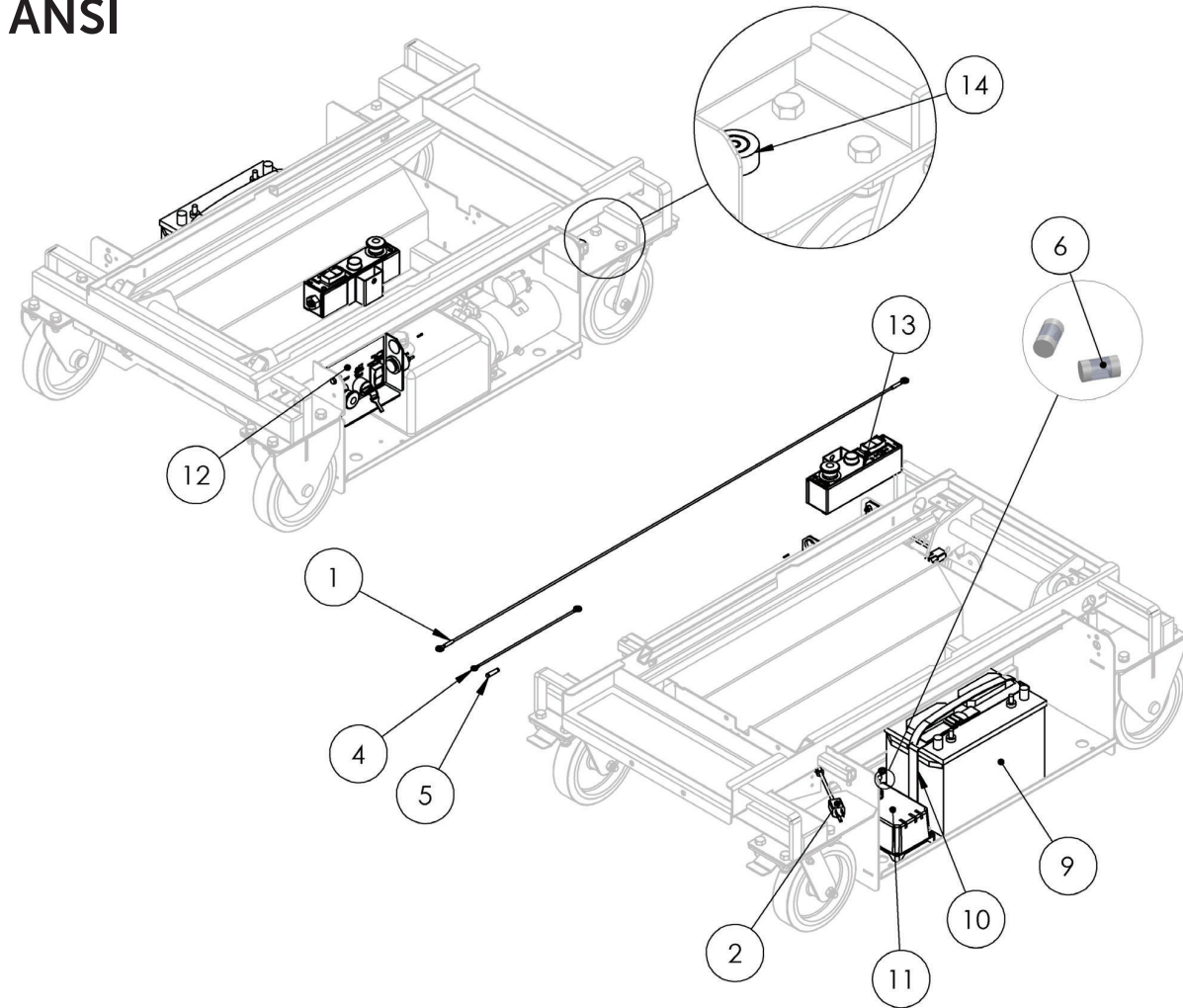


FIGURE 7: Miscellaneous Parts

Item #	Product Number	Product Description	Notes	Qty	Superseded By
1	1000510101-KIT	COVER,RIGHT	D05-10002 E510002-E510061 E05-10062-E05-10151 Base weldment w/flanges	1	
1	1000510301-KIT	COVER,RIGHT	D05-10003-D05-10073 E05-10152-E05-10325 Base Weldment without flanges	1	
2	1000510201-KIT	COVER,LEFT	D05-10002 E510002-E510061 E05-10062-E05-10151 Base weldment w/flanges	1	
2	1000510401-KIT	COVER,LEFT	D05-10003-D05-10073 E05-10152-E05-10325 Base Weldment without flanges	1	
3	HARD-651	1.40 ID,RING		1	
4	HARD-644	LOW FRICTION CABLE, 70/80		1	
5	HARD-633B	CABINET LATCH HANDLE		2	
6	HARD-633E	.31 CAM,CABINET LATCH		2	
7	HARD-700	BATTERY STRAP/BUCKLE		1	
8	1000114318	BASE,ML PIN (SQUARE)		2	
9	MISC-031-10-KIT	ANTI-SLIP TAPE,4.00,18.00 LENG		1	
10	HARD-612	PLUG,2.5 X 1.5,BLACK	D05-10003-D05-10073 E05-10152-E05-10325	2	
11	HARD-613	PLUG,3 X 2,BLACK 10-14 GA	D05-10003-D05-10073 E05-10152-E05-10325	2	

2.1 | ELECTRICAL PARTS - ANSI ANSI



Item #	Product Number	Product Description	Notes	Qty	Superseded By
1	1002101798	CABLE,6GA,RED,54,R/R		1	
2	ELEC-639-1	CORD,NEMA 515/IEC C13,12.0	Used with ELEC-746	1	
3	ELEC-639-4	CORD,NEMA/IEC RT ANG, 2FT.	Used with ELEC-745	1	
4	ELEC-641-002	CABLE,6GA,BLACK,12,B/B		1	
5	ELEC-670-2	FUSE 20 AMP AGC		1	
6	ELEC-670-6	FUSE 30 AMP,PCS		2	
7	ELEC-745	CHARGER,12V		1	
8	ELEC-746-KIT	CHARGER,12V		1	
9	N/A	BATTERY,12V,GR27 DEEP CYCLE	NOT SOLD FOR REPLACEMENT. REPLACE WITH GROUP 27, 12-VOLT DEEP CYCLE OR AGM BATTERY WEIGHING AT LEAST 45 LB.	1	
10	HARD-700	BATTERY STRAP/BUCKLE		1	
11	ELEC-746	CHARGER,12V		1	
12	1002100950	ASM,CTL LWR HB-P830S1		1	
13	1002101250-KIT	ASM,CTL UPR HB-P830 S1		1	
14	HARD-086	LEVEL,BUBBLE		1	
15	WD-1002100588	WD,HB-P830 S1	WIRING DIAGRAM	1	
16	WS-1002100588	ELEC SCH,HB-P830 S1	ELECTRICAL SCHEMATIC	1	

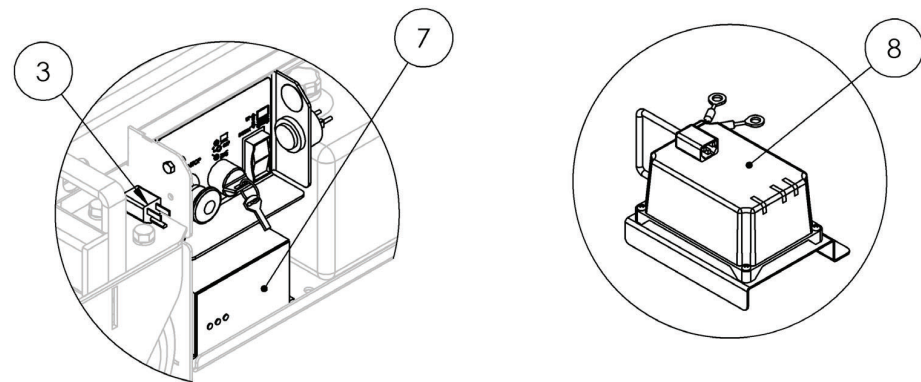


FIGURE 8: Electrical Parts - ANSI

2.2 | ELECTRICAL PARTS - CE

CE

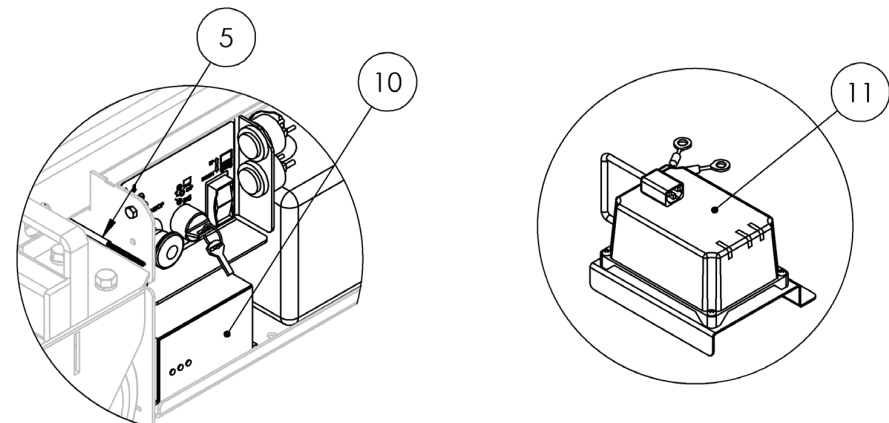
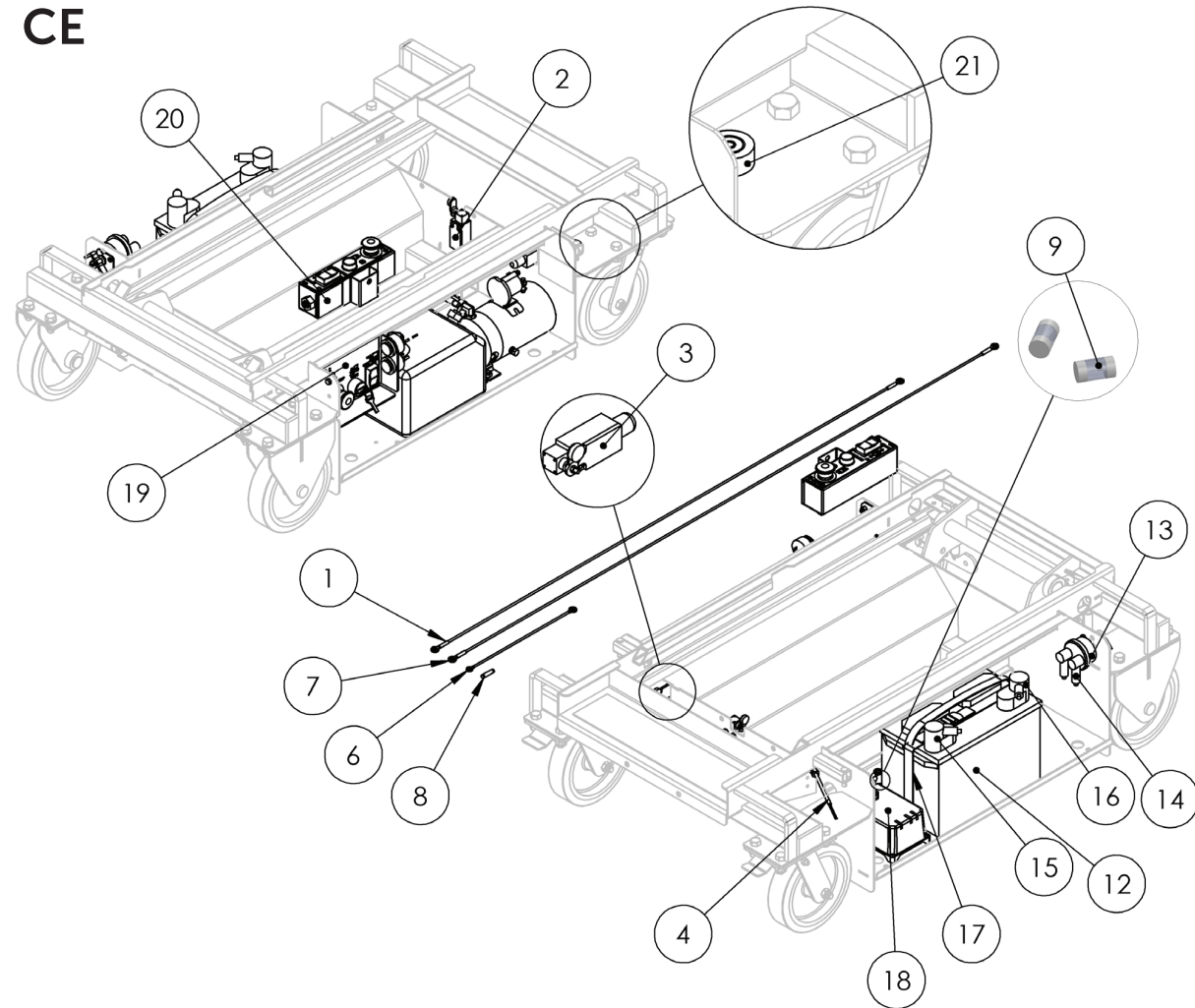


FIGURE 9: Electrical Parts - CE

Item #	Product Number	Product Description	Notes	Qty	Superseded By
1	1002101798	CABLE,6GA,RED,54,R/R		1	
2	ELEC-123-5	SWITCH,LIMIT,ROT LVR,NO/NC PO		1	
3	ELEC-123-5	SWITCH,LIMIT,ROT LVR,NO/NC PO		1	
4	ELEC-636-6	CORD,IEC AC WIRE/IEC C13,12.0	Used with ELEC-746	1	
5	ELEC-639-5	CORD,IEC AC/IEC C13 RT ANG,24	Used with ELEC-745	1	
6	ELEC-641-002	CABLE,6GA,BLACK,12,B/B		1	
7	ELEC-641A	CABLE,6GA,BLACK,63,B/B		1	
8	ELEC-670-2	FUSE 20 AMP AGC		1	
9	ELEC-670-6	FUSE 30 AMP,PCS		2	
10	ELEC-745	CHARGER,12V		1	
11	ELEC-746-KIT	CHARGER,12V		1	
12	N/A	BATTERY,12V,GR27 DEEP CYCLE	NOT SOLD FOR REPLACEMENT. REPLACE WITH GROUP 27, 12-VOLT DEEP CYCLE OR AGM BATTERY WEIGHING AT LEAST 45 LB.	1	
13	ELEC-633-KIT	SWITCH,MASTER DISCONNECT		1	
14	ELEC-634D	TERMINAL BOOT (BLACK)		2	
15	ELEC-634A	BATTERY BOOT (RED)		1	
16	ELEC-634B	BATTERY BOOT (BLACK)		1	
17	HARD-700	BATTERY STRAP/BUCKLE		1	
18	ELEC-746	CHARGER,12V		1	
19	1002100951	ASM,CTL LWR HB-P830CES1		1	
20	1002101251-KIT	ASM,CTL UPR HB-P830CE S1		1	
21	HARD-086	LEVEL,BUBBLE		1	
22	WD-1002100594	WD,HB-P830CE S1	WIRING DIAGRAM	1	
23	WS-1002100594	ELEC SCH,HB-P830CE S1	ELECTRICAL SCHEMATIC	1	

2.3 | UPPER CONTROL PARTS - ANSI
ANSI

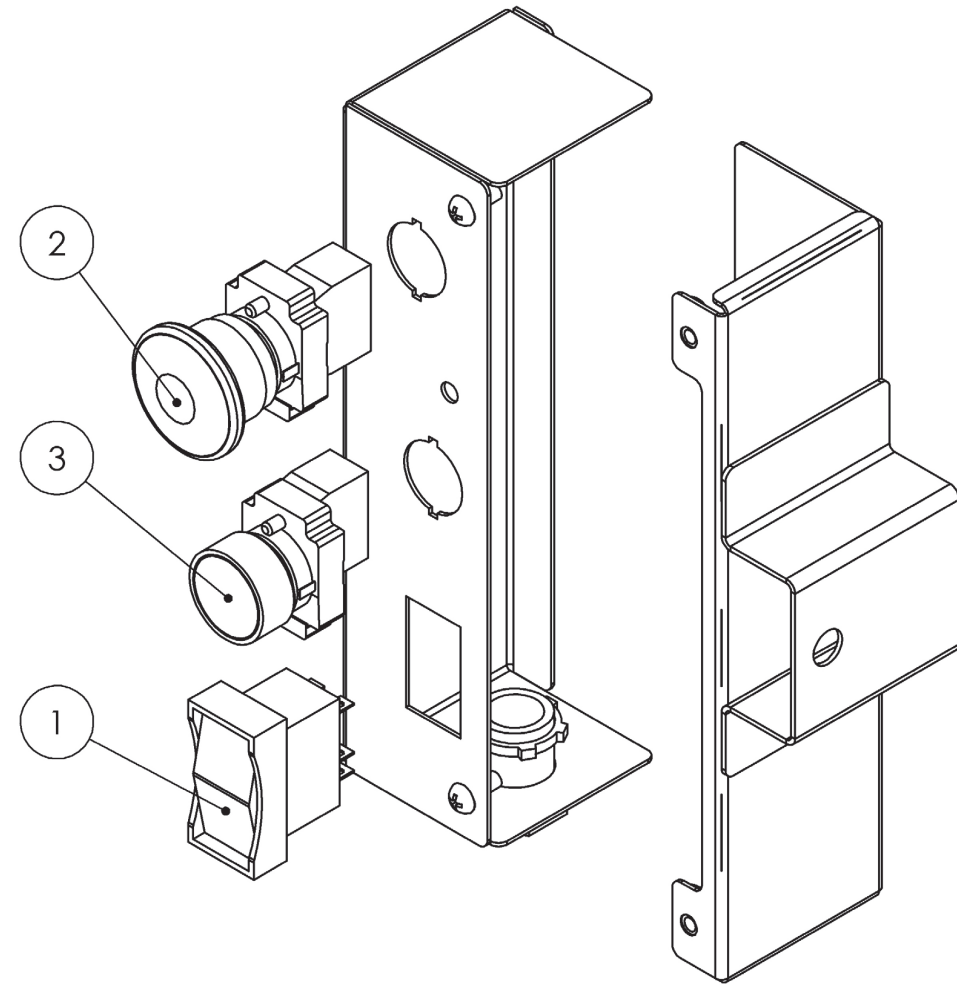


FIGURE 10: Upper Control Parts - ANSI

Item #	Product Number	Product Description	Notes	Qty	Superseded By
1	ELEC-133B	SWITCH,ROCKER DPDT		1	
2	ELEC-071-KIT	EMERGENCY STOP BUTTON		1	
3	ELEC-602-KIT	BUTTON,PUSH GREEN		1	
4	WD-1002101250	WD,UPR CTL,HB-830 S1	WIRING DIAGRAM	1	

2.4 | UPPER CONTROL PARTS - CE
CE

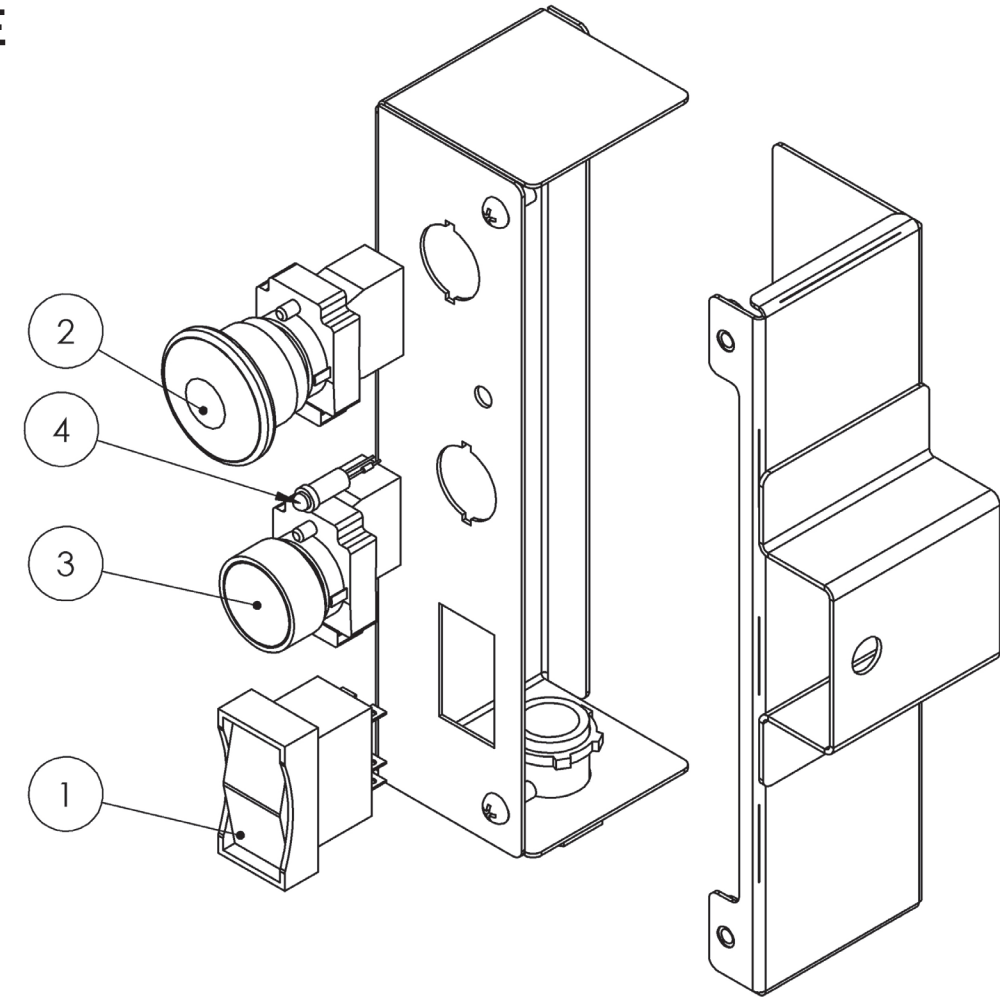


FIGURE 11: Upper Control Parts - CE

Item #	Product Number	Product Description	Notes	Qty	Superseded By
1	ELEC-133B	SWITCH,ROCKER DPDT		1	
2	ELEC-071-KIT	EMERGENCY STOP BUTTON		1	
3	ELEC-602	BUTTON,PUSH GREEN		1	
4	ELEC-636	LED, RED		1	
5	WD-1002101251	WD,UPR CTL,HB-830CE S1	WIRING DIAGRAM	1	

2.5 | LOWER CONTROL PARTS - ANSI
ANSI

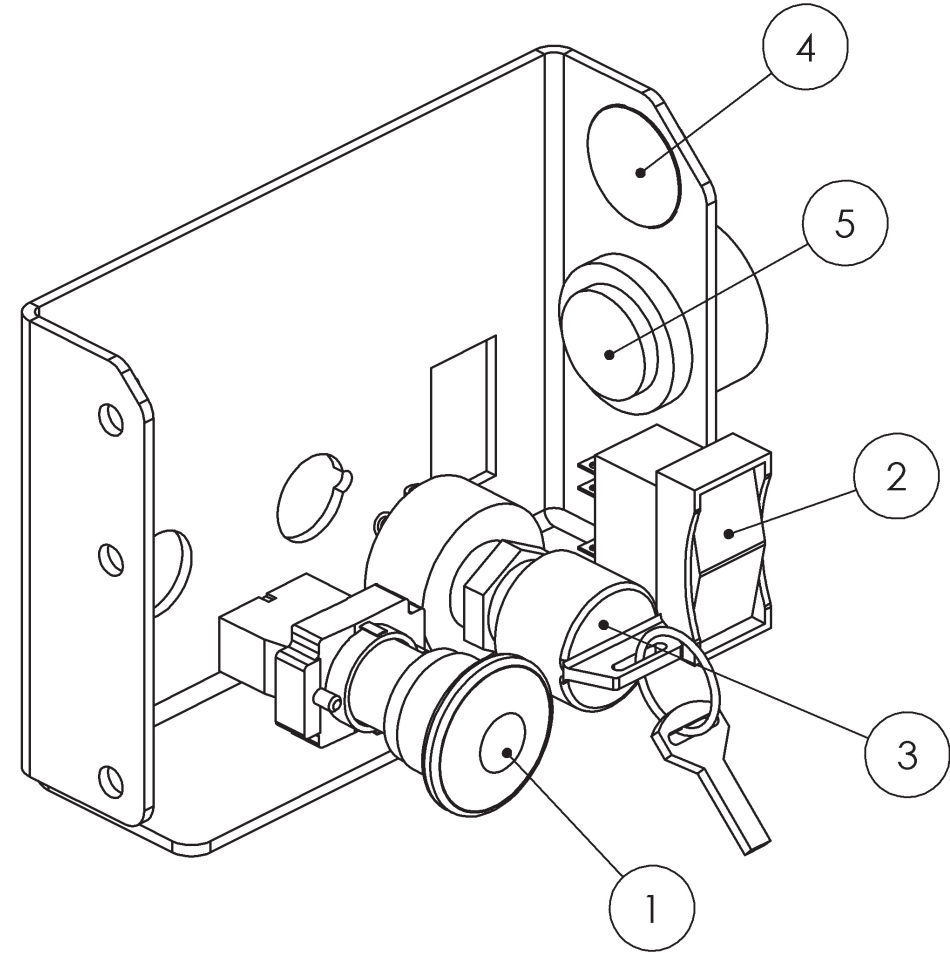


FIGURE 12: Lower Control Parts - ANSI

Item #	Product Number	Product Description	Notes	Qty	Superseded By
1	ELEC-071-KIT	BUTTON,PUSH/PULL RED E-STOP		1	
2	ELEC-133B	SWITCH,ROCKER DPDT		1	
3	ELEC-073E	SWITCH,KEY		1	
4	HARD-726	PLUG,1.09 DIA, BLACK		1	
5	ELEC-635	ALARM,SLOW PULSE		1	
6	WD-1002100950	WD,LWR CTL HB-830 S1	WIRING DIAGRAM D05-10025-D05-10073	1	
6	WD-1002100950-RA	WD,LWR CTL HB-830 S1	WIRING DIAGRAM D05-10002-D05-10024	1	

2.6 | LOWER CONTROL PARTS - CE
CE

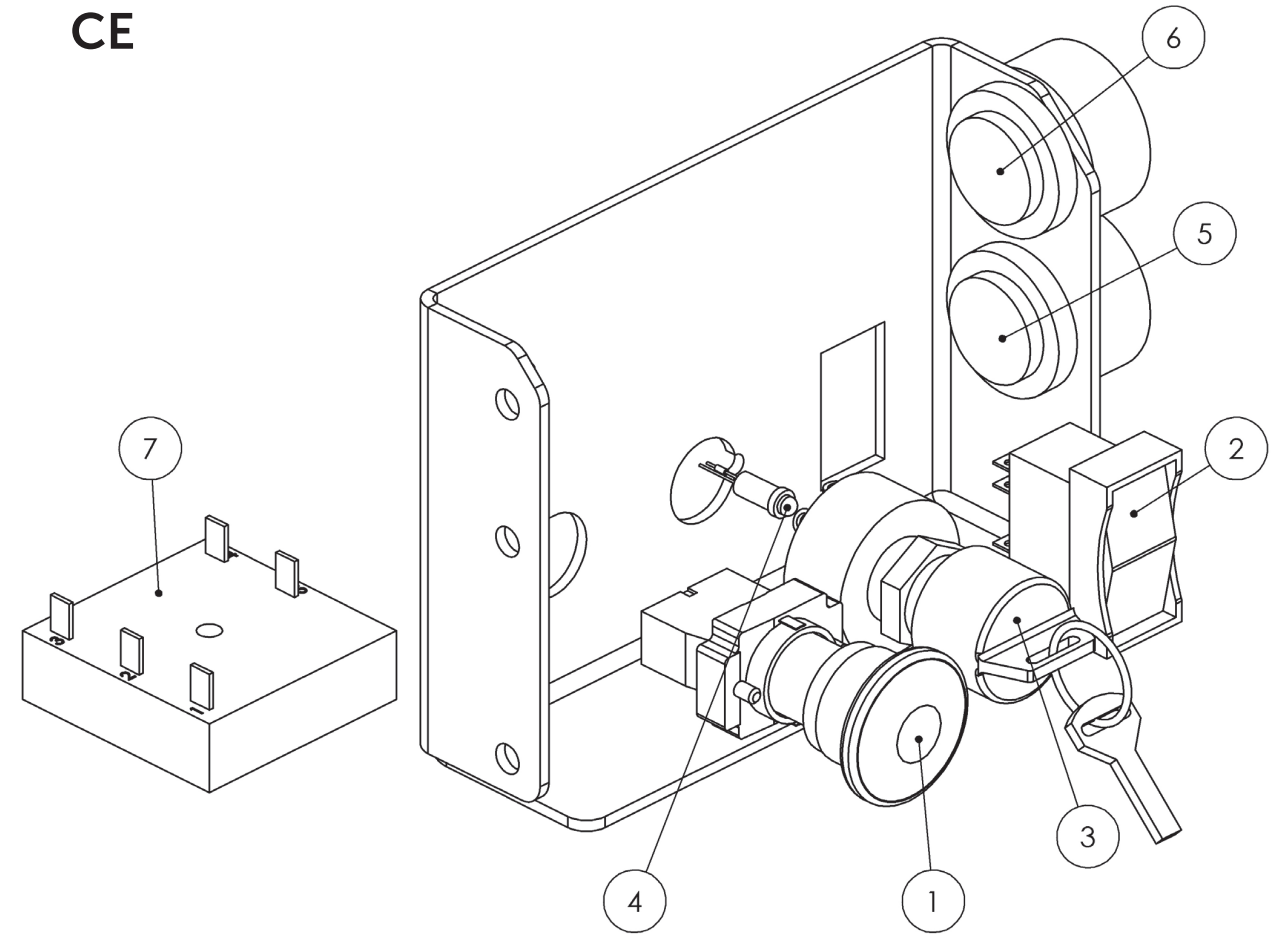


FIGURE 13: Lower Control Parts - CE

Item #	Product Number	Product Description	Notes	Qty	Superseded By
1	ELEC-071-KIT	BUTTON,PUSH/PULL RED E-STOP		1	
2	ELEC-133B	SWITCH,ROCKER DPDT		1	
3	ELEC-073E	SWITCH,KEY		1	
4	ELEC-636	LED, RED		1	
5	ELEC-635	ALARM,SLOW PULSE		1	
6	ELEC-635-1	ALARM-FAST PULSE		1	
7	ELEC-632	RELAY,TIME DELAY		1	
8	WD-1002100951	WD,LWR CTL HB-P830CE S1	WIRING DIAGRAM E05-10195-E05-10325	1	
8	WD-1002100951-RE	WD,LWR CTL HB-8P30CE S1	WIRING DIAGRAM E510002-E510061 E05-10060-E05-10194	1	

2.7 | MASTER POWER SWITCH SUBPARTS

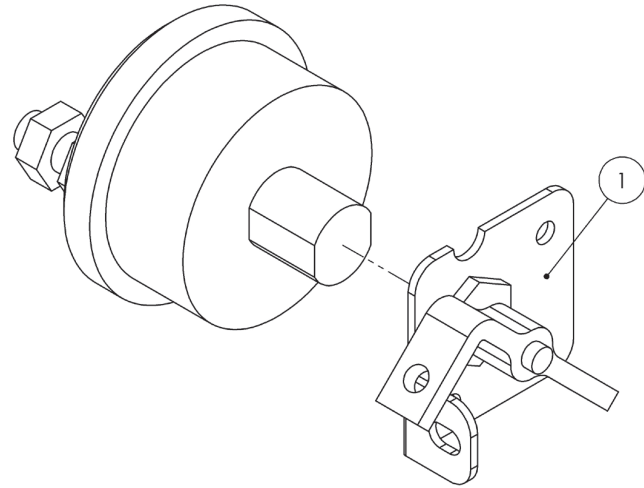


FIGURE 14: Master Power Switch Subparts

Item #	Product Number	Product Description	Notes	Qty	Superseded By
1	ELEC-633-1	SWITCH, LOCKOUT LEVER KIT		1	

THIS PAGE WAS INTENTIONALLY LEFT BLANK

2.8 | KEY SWITCH SUBPARTS

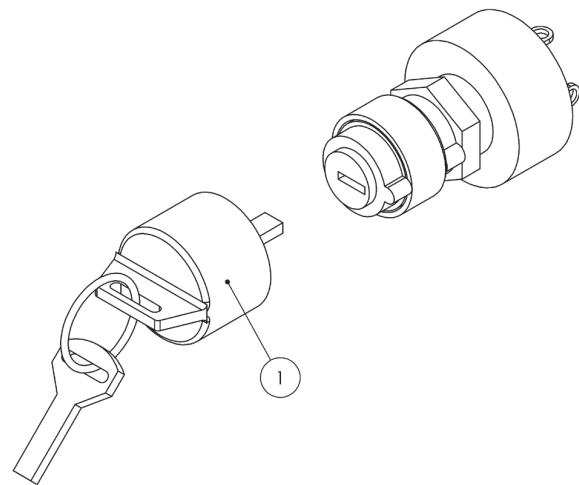


FIGURE 15: Key Switch Subparts

Item #	Product Number	Product Description	Notes	Qty	Superseded By
1	ELEC-073EKEY	KEY, SPARE		1	

SECTION 3 | SCISSORS

3.1 | SCISSORS PARTS

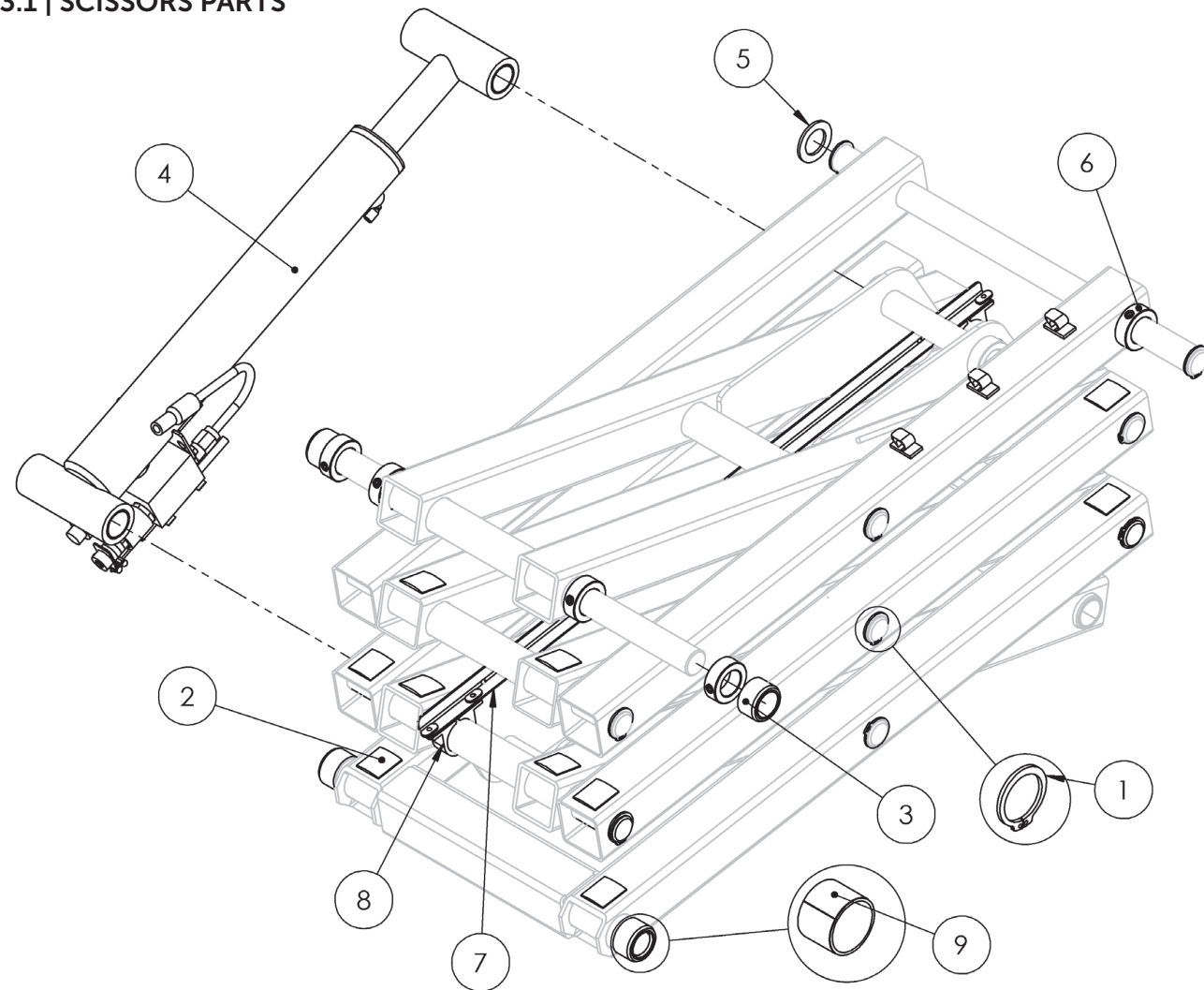


FIGURE 16: Scissors Parts

Item #	Product Number	Product Description	Notes	Qty	Superseded By
1	HARD-022	1.25 RETAINING RING,EXT		18	
2	MISC-007-001-KIT	1 3/8 MOLDING BOND		16	
3	BM-6006-1-KIT	ASM,ROLLER,1.00 W/DU		4	
4	1002100352-KIT	ASM,SCISSOR CYL	For HB-P830CE	1	
4	1002100353-KIT	ASM,SCISSOR CYL	For HB-P830	1	
5	HARD-615-4	1.36X2.75X0.13 THRUST WASH,HMW		1	
6	1021000102	SET COLLAR,1.25 ID		5	
7	1000201916	SCISSOR,CONDUIT		1	
8	HARD-709	1.63 CLAMP		2	
9	HARD-001	1.25X1.00 SLEEVE BEARING,PTFE		1	

SECTION 3 | SCISSORS

3.2 | CYLINDER SUBPARTS - ANSI ANSI

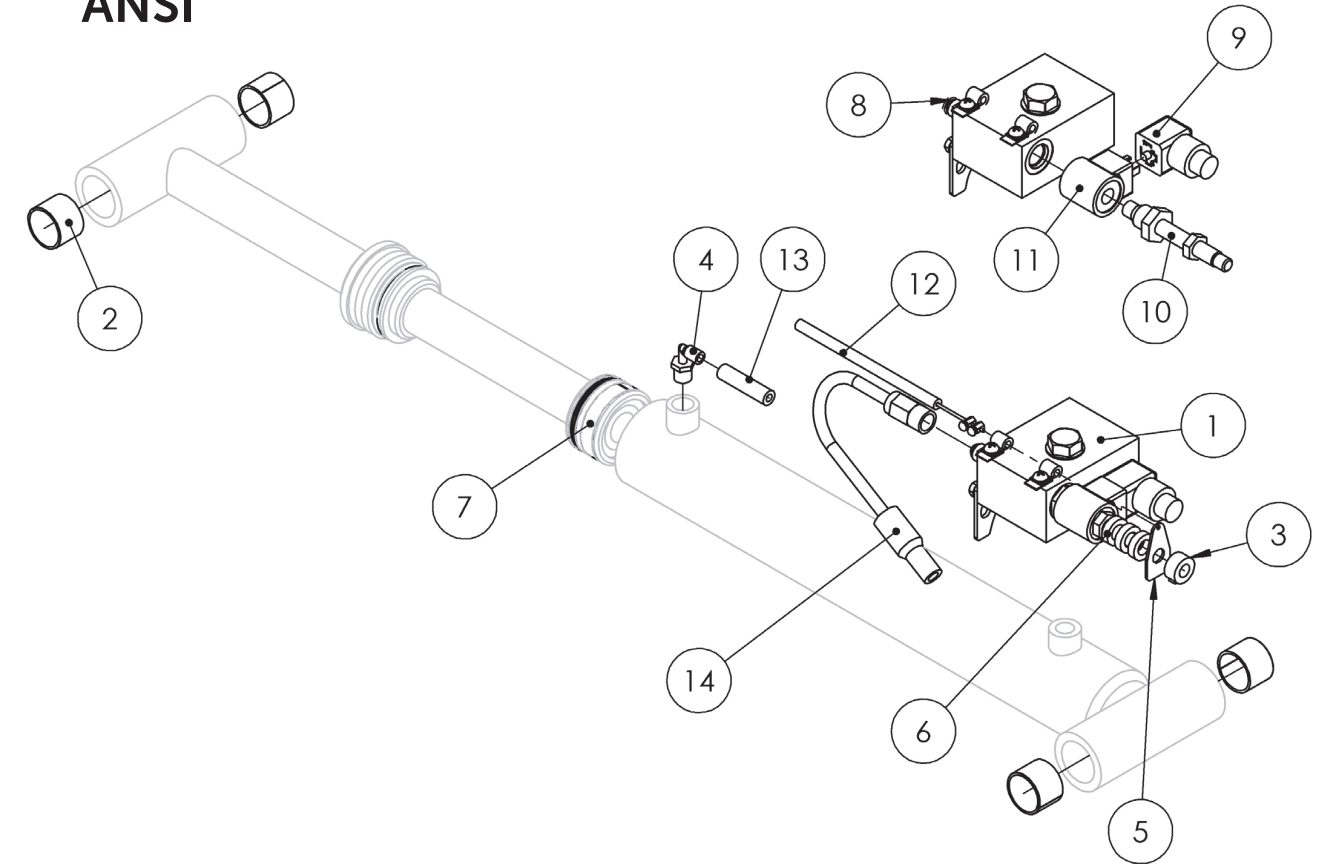
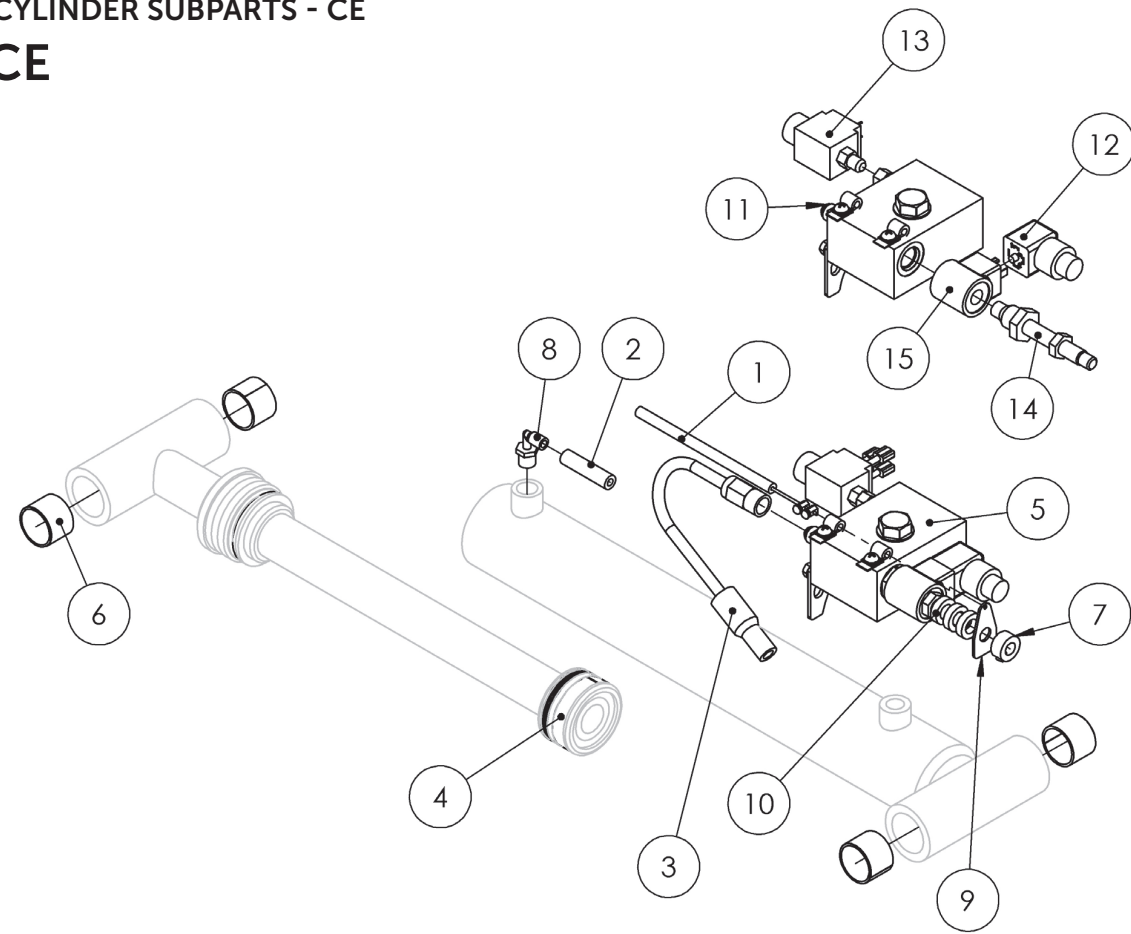


FIGURE 17: Cylinder Subparts - ANSI

Item #	Product Number	Product Description	Notes	Qty	Superseded By
1	1002100396	ASM,SCISSOR CYL VALVE BLK ANMP		1	
2	HARD-001	1.25X1.00 SLEEVE BEARING,PTFE		4	
3	HARD-650	0.44X0.88X0.44 SHAFT COLLAR		1	
4	HYDR-019	FITTING,ELB,NPTM 3/8-1/4 PUSH		1	
5	1020202004	SCISSOR,PLATE E-DOWN ACT		1	
6	WHEE-605-P	0.50X0.89X0.25 SPACER		3	
7	HYDR-009-SK	CYL,SEAL KIT 2.5 B,1.5 R		1	
8	HYDR-604	FITTING,STR,SAEOR M#6-JIC M3/8		1	
9	HYDR-044-FL3	HIRSCHMANN CONNECTOR		1	
10	HYDR-007-2E-5	VALVE,NC,2W/2P,#8,DWN,PULL,DEL		1	
11	HYDR-007-2E-6	COIL,12V,HC		1	
12	HARD-644-01	60/70 LOW FRICTION CABLE		1	
13	HYDR-022-3	LOW PRESSURE HOSE	QUANTITY IN INCHES	81	
14	HYDR-600-5	HOSE ASM,PRECUT 8FT3X		1	

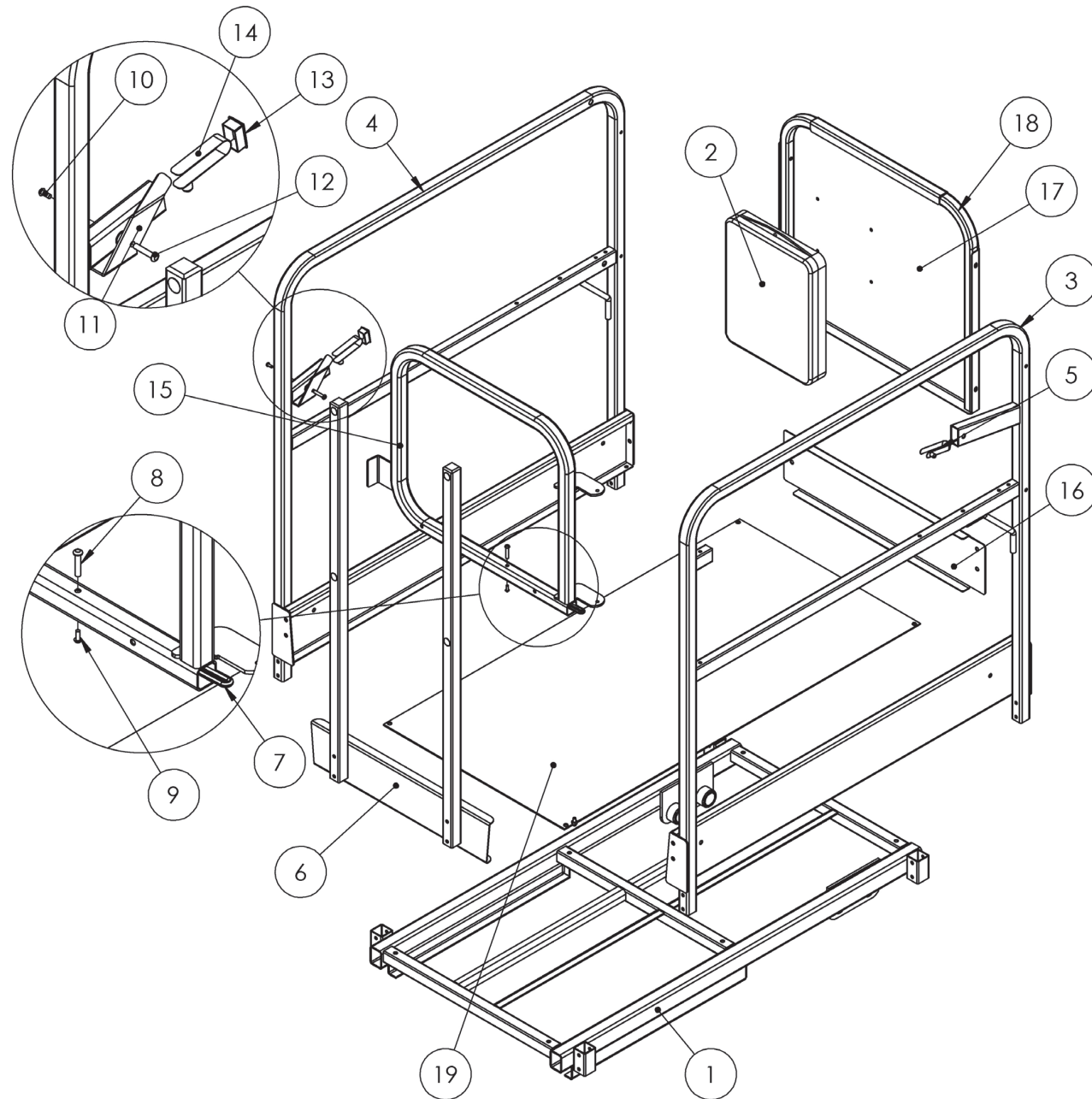
3.3 | CYLINDER SUBPARTS - CE
CE



THIS PAGE WAS INTENTIONALLY LEFT BLANK

FIGURE 18: Cylinder Subparts - CE

Item #	Product Number	Product Description	Notes	Qty	Superseded By
1	HARD-644-01	60/70 LOW FRICTION CABLE		1	
2	HYDR-022-3	LOW PRESSURE HOSE	QUANTITY IN INCHES	81	
3	HYDR-600-5	HOSE ASM,PRECUT 8FT3X		1	
4	HYDR-009-SK	CYL,SEAL KIT 2.5 B,1.5 R		1	
5	1002100397	ASM,SCISSOR CYL VALVE BLK CEMP		1	
6	HARD-001	1.25X1.00 SLEEVE BEARING,PTFE		4	
7	HARD-650	0.44X0.88X0.44 SHAFT COLLAR		1	
8	HYDR-019	FITTING,ELB,NPTM 3/8-1/4 PUSH		1	
9	1020202004	SCISSOR,PLATE E-DOWN ACT		1	
10	WHEE-605-P	0.50X0.89X0.25 SPACER		3	
11	HYDR-604	FITTING,STR,SAEOR M#6-JIC M3/8		1	
12	HYDR-044-FL3	HIRSCHMANN CONNECTOR		1	
13	HYDR-671	SWITCH,PRESSURE		1	
14	HYDR-007-2E-5	VALVE,NC,2W/2P,#8,DWN,PULL,DEL		1	
15	HYDR-007-2E-6	COIL,12V,HC		1	



Item #	Product Number	Product Description	Notes	Qty	Superseded By
1	1000402301	PF,WLDMNT		1	
2	HARD-603	MANUAL BOX		1	
3	1000300101	RAIL, WC R	STANDARD YELLOW	1	
3	1000300116	RAIL, WC R	RED	1	
4	1000300201	RAIL, WC L	STANDARD YELLOW	1	
4	1000300216	RAIL, WC L	RED	1	
5	HARD-067	0.38SNAP BUTTON,SINGLE END		1	
6	1002100691-KIT	ASM,GATE TOE BOARD	STANDARD YELLOW	1	
6	1002100691-KITA	ASM,GATE TOE BOARD	RED	1	
7	HARD-606-1	0.19X12.5 ORING		1	
8	HARD-649	0.25 X 1.25 BARREL SCRW,10-24		1	
9	SCREW-1100	10-24 X 0.50 PAN HEAD SCRW		1	
10	SCREW-1100	10-24 X 0.50 PAN HEAD SCRW		1	
11	LAS-M089-PC	RAIL,GATE LATCH	STANDARD YELLOW	1	
11	LAS-M089-PCA	RAIL,GATE LATCH	RED	1	
12	HARD-649	0.25 X 1.25 BARREL SCRW,10-24		1	
13	HARD-634	PLUG,1.00X1.50,BLACK		1	
14	HARD-066	0.50 SNAP BUTTON,SINGLE END		1	
15	HB-WC-G-01-PC	RAIL,GATE	STANDARD YELLOW	1	
16	1000301601	RAIL, WC END TOE BOARD,E	STANDARD YELLOW	1	
16	1000301616	RAIL, WC END TOE BOARD,E	RED	1	
17	1000301701	RAIL,WC END PANEL	STANDARD YELLOW	1	
17	1000301716	RAIL,WC END PANEL	RED	1	
18	1000301801	RAIL, WC END PANEL TUBE	STANDARD YELLOW	1	
18	1000301816	RAIL, WC END PANEL TUBE	RED	1	
19	1000401604	PF,DECK		1	

FIGURE 19: Platform & Rails

5.1 | DECALS - ANSI ANSI

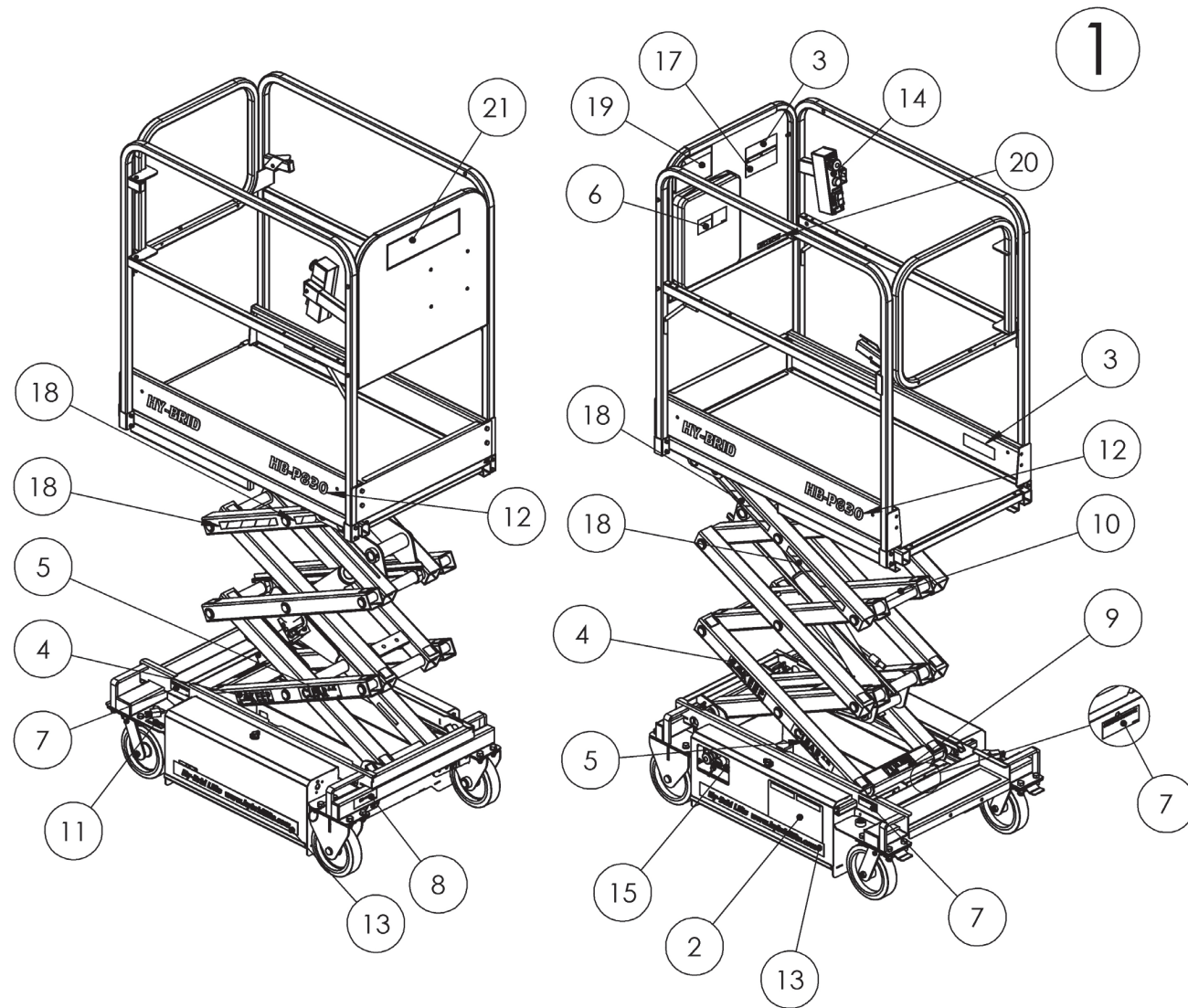


FIGURE 20: Decals - ANSI

Item #	Product Number	Product Description	Notes	Qty	Superseded By
1	DE801	DECALS,HB-P830 S1	KIT	1	
2	DE739	DECAL, LWR		1	
3	DE726	DECAL,CAPACITY,500#,1P,I,WO/SO		3	
4	DE727	DECAL,KEEP		2	
5	DE728	DECAL,CLEAR		2	
6	DE600E-10	DECAL,MANUAL BOX		1	
7	DE600E-14	DECAL,MAINT LOCK		3	
8	DE751	DECAL,E-DOWN CABLE		1	
9	DE600E-20	DECAL,CRUSHING HAZARD		1	
10	DE600E-20	DECAL,CRUSHING HAZARD		1	
11	DE753	DECAL,CHARGER CORD		1	
12	DE603-3	MODEL# DECAL-HB-P830		2	
13	DE822	DECAL,WEBSITE		2	
14	DE643	DECAL,CONTROL UPR,P-ANSI		1	
15	DE644	DECAL,CTL LWR,P-ANSI		1	
16	SUPO-756	MANUAL ADDENDUM,HB-P830 DECALS		1	
17	DE706	DECAL,UPR HB		1	
18	DE717-62	DECAL,SAFETY STRIPE (12.00)		4	
19	DE645	DECAL,GATE		1	
20	DE746	DECAL,LANYARD ATTACHMENT		1	
21	DE821	DECAL,LOGO HY-BRID		1	
22	DE652	DECAL,WEBSITE		0	DE822
23	DE619	DECAL,CHARGER CORD		0	DE753
24	DE600E-29	DECAL,E-DOWN		0	DE751
25	DE600E-18	DECAL,BATT WEIGHT		0	DE739
26	DE600-03B	MAX CAPACITY DECAL		0	DE726
27	DE600-16C	DECAL, KEEP		0	DE727
28	DE600-16D	DECAL,CLEAR		0	DE728
29	DE600E-06	DECAL,TIRE REPLACEMENT		0	DE739
30	DE600-01	DECAL,WARNINGS		0	DE706
31	DE600-02	DECAL,DANGERS		0	DE600-02-KIT-56
32	DE600-09	DECAL, ELECTROCUTION HAZARD		0	DE706
33	DE600E-02	DECAL,DANGERS INDOOR ONLY		0	DE600-02-KIT-56
34	DE600-08	DECAL,BATT GAS WARNING		0	DE739
35	DE600-17	DECAL,SAFETY STRIPE (12.00)		0	DE717-62
36	DE646	DANGER-TIP DECAL		0	DE706
37	DE601	DECAL,LOGO HY-BRID		0	DE821
38	DE613	DECAL,LANYARD ATTACHMENT		0	DE746
39	DE600-02-KIT-56	DECAL,DANGERS RETROFIT,P830S1		1	

5.2 | DECALS - CE
CE

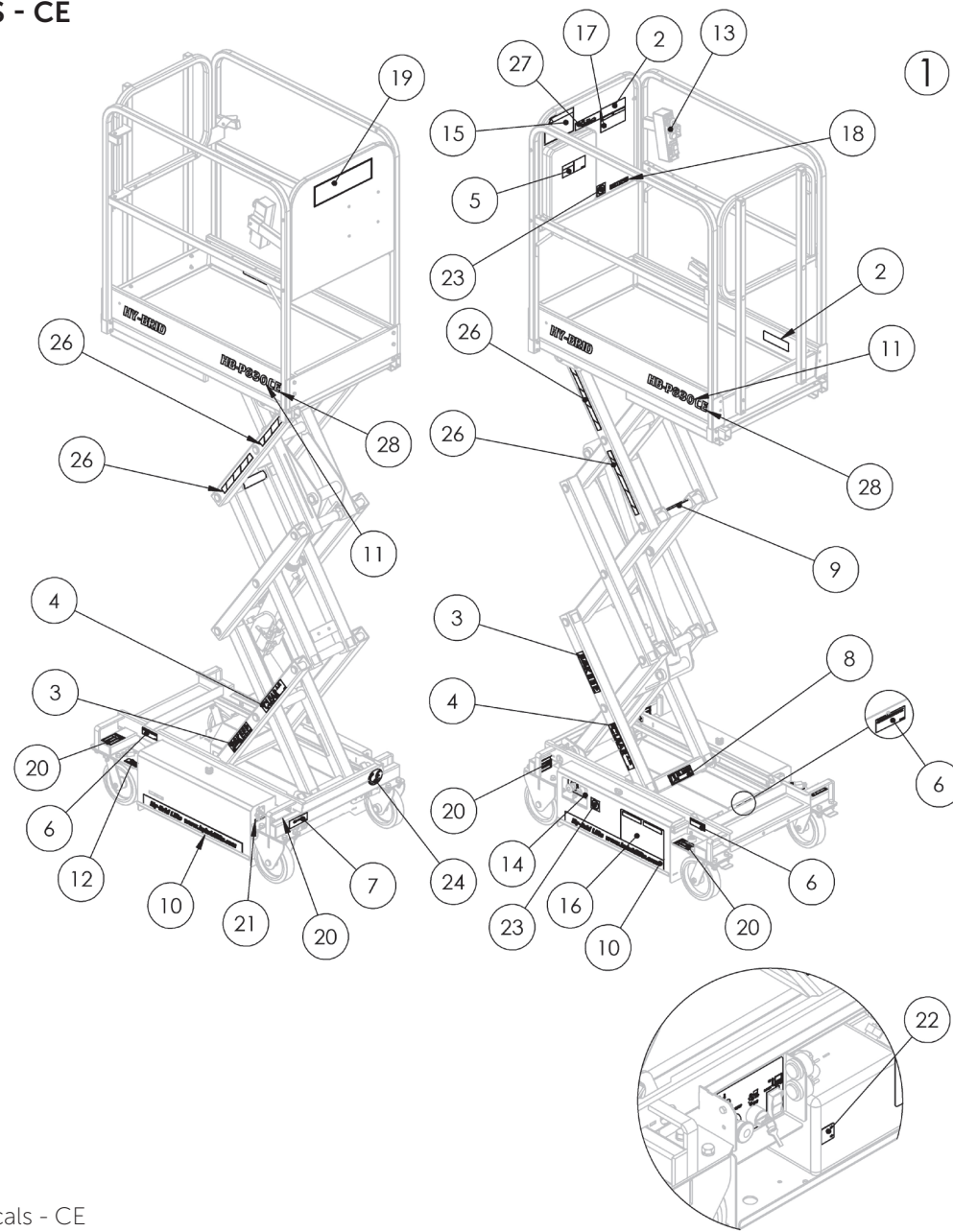


FIGURE 21: Decals - CE

Item #	Product Number	Product Description	Notes	Qty	Superseded By
1	DE800	DECALS,HB-P830CE S1		1	
2	DE726	DECAL,CAPACITY,500#,1P,I,WO/SO		3	
3	DE727	DECAL,KEEP		2	
4	DE728	DECAL,CLEAR		2	
5	DE600E-10	DECAL,MANUAL BOX		1	
6	DE600E-14	DECAL,MAINT LOCK		3	
7	DE751	DECAL,E-DOWN CABLE		1	

8	DE600E-20	DECAL,CRUSHING HAZARD		1	
9	DE600E-20	DECAL,CRUSHING HAZARD		1	
10	DE822	DECAL,WEBSITE		2	
11	DE603-3	MODEL# DECAL-HB-P830		2	
12	DE752	DECAL,CHARGER CORD (EU)		1	
13	DE642	DECAL,CONTROL UPR,P- CE		1	
14	DE635	DECAL,CTL LWR,P-CE		1	
15	DE645	DECAL,GATE		1	
16	DE739	DECAL, LWR		1	
17	DE706	DECAL,UPR HB		1	
18	DE746	DECAL,LANYARD ATTACHMENT		1	
19	DE821	DECAL,LOGO HY-BRID		1	
20	DE600E-24C	DECAL,WHL LOAD HB-P830CE		4	
21	DE636	DECAL,MASTER POWER SWITCH		1	
22	DE679	DECAL,HYDR FLUID		1	
23	DE621	DECAL,NO UNAUTHORIZED USE		2	
24	DE718	DECAL,CE		1	
25	SUPO-756	MANUAL ADDENDUM,HB-P830 DECALS		1	
26	DE717-62	DECAL,SAFETY STRIPE (12.00)		4	
27	DE730	DECAL,OL ALARM		1	
28	DE603E	DECAL,MODEL NUMBER,E		2	
29	DE647	DECAL,OL		1	DE730
30	DE615	DECAL,CE		2	DE718
31	DE600-01	DECAL,WARNINGS		1	DE706
32	DE600-02	DECAL,DANGERS		1	DE600-02-KIT-56
33	DE600-09	DECAL, ELECTROCUTION HAZARD		1	DE706
34	DE600E-02	DECAL,DANGERS INDOOR ONLY		1	DE600-02-KIT-56
35	DE600-08	DECAL,BATT GAS WARNING		1	DE739
36	DE600-17	DECAL,SAFETY STRIPE (12.00)		4	DE717-62
37	DE646	DANGER-TIP DECAL		1	DE706
38	DE652	DECAL,WEBSITE		4	DE822
39	DE601	DECAL,LOGO HY-BRID		1	DE821
40	DE613	DECAL,LANYARD ATTACHMENT		1	DE746
41	DE629	DECAL,CHARGER CORD DECAL (EU)		1	DE752
42	DE600-02-KIT-58	DECAL,DANGERS RETROFIT,830CES1		1	
43	DE600E-29	DECAL,E-DOWN		1	DE751
44	DE600E-18	DECAL,BATT WEIGHT		1	DE739
45	DE600-03B	MAX CAPACITY DECAL		3	DE726
46	DE600-16C	DECAL, KEEP		2	DE727
47	DE600-16D	DECAL,CLEAR		2	DE728
48	DE600E-06	DECAL,TIRE REPLACEMENT		2	DE739

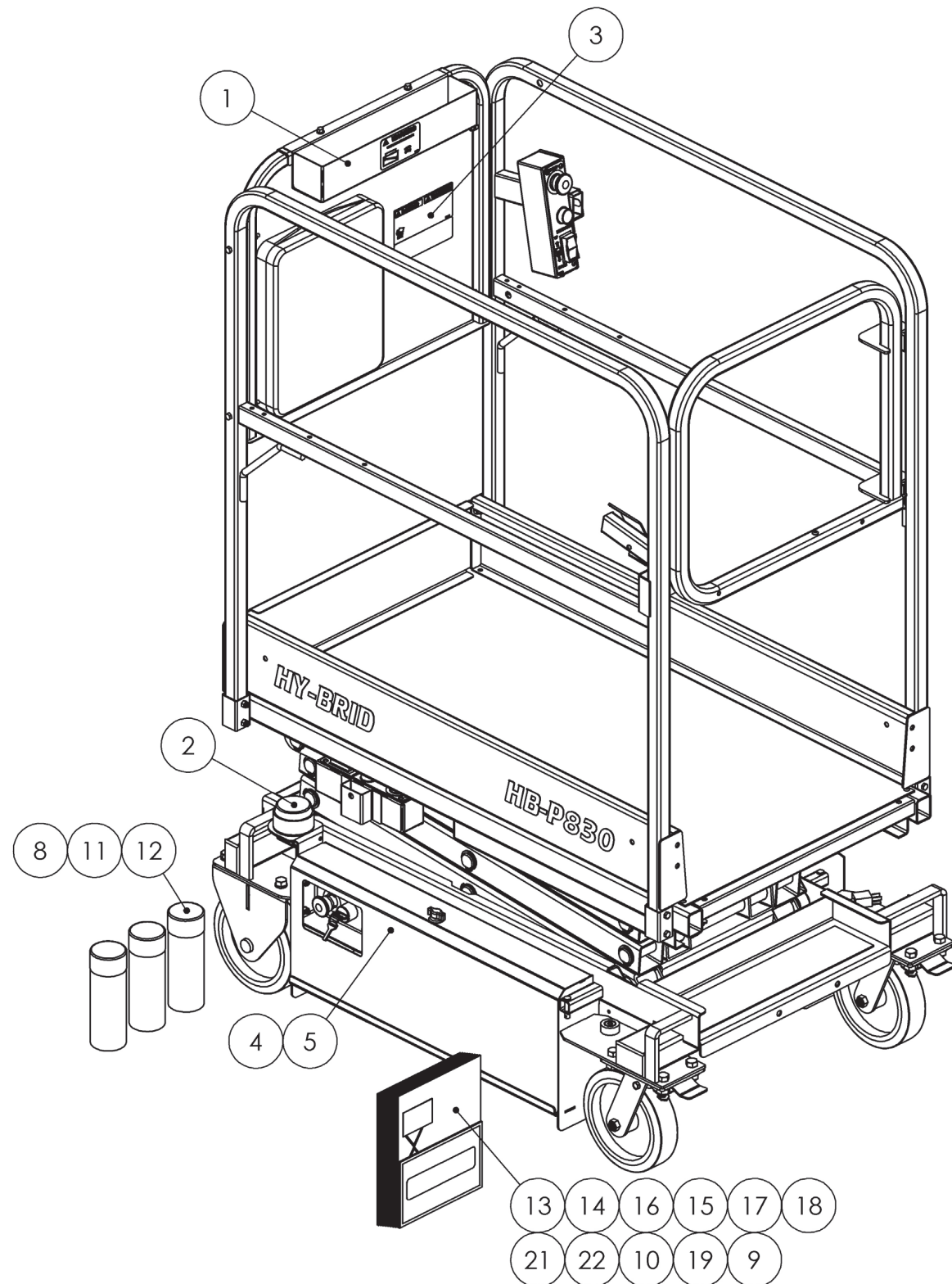


FIGURE 22: Options & Miscellaneous

Item #	Product Number	Product Description	Notes	Qty	Superseded By
1	1002000650-KIT	ASM,TOOL TRAY, HB		1	
2	1002001050	BEACON,FLASHING(AMBER) HB-P830		1	
3	1002101952	CONVERSION KIT:ANSI/CSA HB-PS1		1	
4	1002102250	MOTION ALARM, HB-P830		1	
5	1002102251	MOTION ALARM, HB-P830CE		1	
6	HS-HB-P830	HYDR SCH,HB-P	HYDRAULIC SCHEMATIC	1	
7	HS-HB-P830CE	HYDR SCH,HB-P	HYDRAULIC SCHEMATIC	1	
8	MISC-016	PAINT,RED TOUCH-UP SPRAY		1	
9	MISC-600	MANUAL,AERIAL PF		1	
10	MISC-601-1	MANUAL OF RESPONSIBILITY A92.3		1	
11	MISC-624	PAINT,WHITE TOUCH-UP SPRAY		1	
12	MISC-625	PAINT,YELLOW TOUCH-UP SPRAY		1	
13	SUPO-614	MANUAL,OP,HB-P830 S1		1	
14	SUPO-614E	MANUAL,OP,HB-P830CE S1		1	
15	SUPO-614EDUT	MANUAL,OP,HB-P830CE S1,DU		1	
16	SUPO-614EGER	MANUAL,OP,HB-P830CE S1,GE		1	
17	SUPO-615	MANUAL,MAINT,HB-P830 S1		1	
18	SUPO-615E	MANUAL,MAINT,HB-P830CE S1		1	
19	SUPO-616	DOCUMENT,CE DECL HB-830/P830S1		1	
20	SUPO-625	DOCUMENT,CSA DECL HB-P830S1		1	
21	SUPO-734	MANUAL,PARTS HB-P830/P830CE S1		1	
22	SUPO-756	MANUAL ADDENDUM,HB-830 DECALS		1	

HY-BRID LIFTS™

BY CUSTOM EQUIPMENT LLC

Push-Around Aerial Work Platform
Parts Manual
HB-P830/HB-P830CE

© 2018 Custom Equipment, LLC
2647 Highway 175
Richfield, WI 53076
U.S.A.
Tel. +1-262-644-1300
Fax: +1-262-644-1320
www.hybridlifts.com
Service@Customequipmentlifts.com

"Hy-Brid Lifts" is a trademark of Custom Equipment, LLC.
These machines comply with specified ANSI, CSA, & EN 280
requirements

Revision Date: April 2018

Printed In The USA