

HY-BRID LIFTS™

BY CUSTOM EQUIPMENT LLC

PARTS MANUAL

SELF-PROPELLED AERIAL WORK PLATFORM

SUPO-684
REV G



HB-1230

SERIES III

Model HB-1230 Serial #Ranges:

D08-20064-D08-29999

D08-30000-D08-39999

If there is a question about application
and/or operation, contact:

Custom Equipment, LLC
2647 Hwy 175
Richfield, WI 53076
U.S.A.
P: +1-262-644-1300
F: +1-262-644-1320
www.hybridlifts.com

Original instructions written in English.
This parts manual is applicable to the following machines:

Model HB-1230 Serial #Ranges:
D08-20064-D08-29999
D08-30000-D08-39999

To read the serial number plate, open the lower control panel. The serial number is located on the chassis behind the controls. An additional reference is on the platform below the manual box.

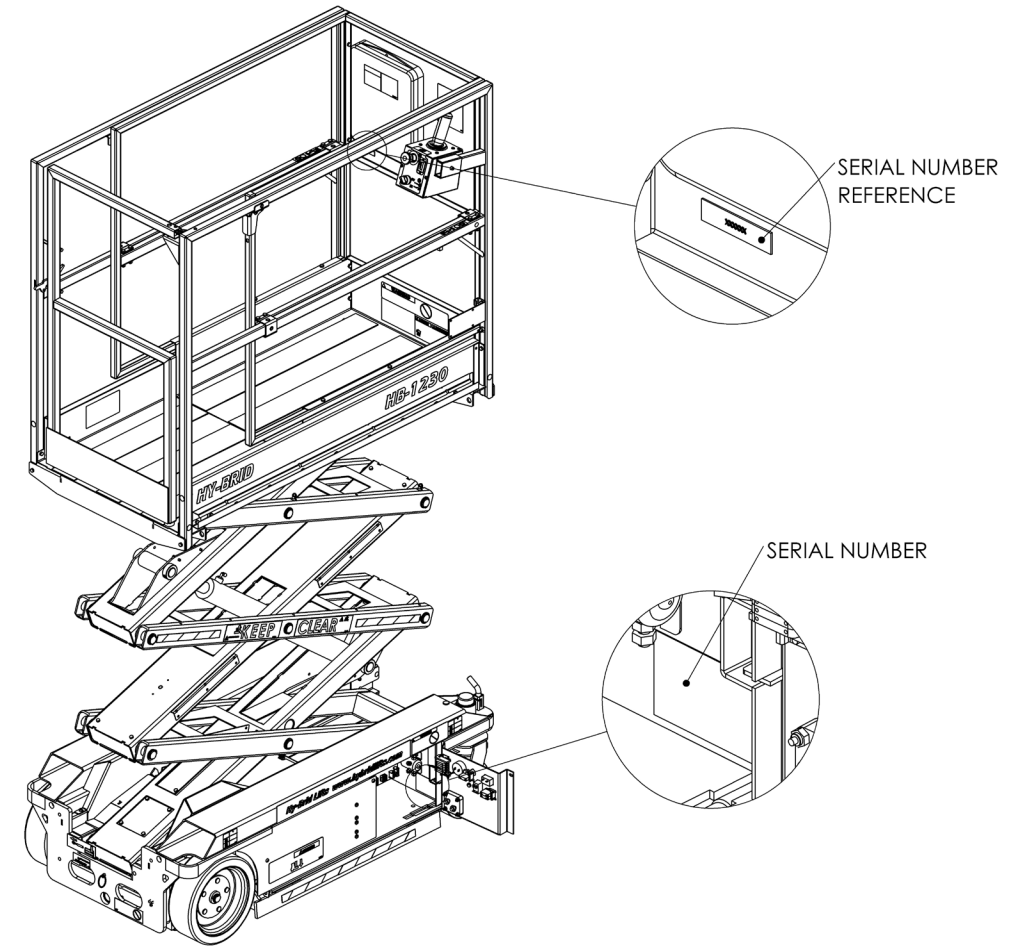


TABLE OF CONTENTS

NOTES.....	2
FOREWORD.....	3
TABLE OF CONTENTS.....	4
INDEX OF FIGURES.....	5
SECTION 1 BASE.....	6
1.1 POTHOLE GUARD PARTS.....	6
1.2 CASTER PARTS.....	7
1.3 CASTER SUBPARTS.....	8
1.4 REAR WHEEL SUBPARTS.....	8
1.5 DRIVE PARTS.....	9
1.6 DRIVE SUBPARTS.....	10
1.7 BRAKE SUBPARTS.....	10
1.8 PUMP PARTS.....	11
1.9 PUMP SUBPARTS.....	12
1.10 BASE MISC PARTS.....	14
SECTION 2 CONTROLS.....	16
2.1 CONTROLS/ELECTRICAL PARTS.....	16
2.2 MAIN CABLE SUBPARTS.....	19
2.3 UPPER CONTROL PARTS.....	20
2.4 LOWER CONTROL PARTS.....	22
2.5 MASTER POWER SWITCH SUBPARTS.....	23
2.6 KEY SWITCH SUBPARTS.....	23
2.7 E-STOP SWITCH SUBPARTS.....	24
2.8 SELECTOR SWITCH SUBPARTS.....	24
SECTION 3 SCISSORS.....	26
3.1 HB-1230 SCISSORS.....	26
3.2 HB-1230 CYLINDER SUBPARTS.....	28
SECTION 4 PLATFORM & RAILS.....	30
4.1 PLATFORM & RAILS.....	30
SECTION 5 DECALS.....	32
5.1 HB-1230 DECALS.....	32
SECTION 6 OPTIONS & MISCELLANEOUS.....	34
6.1 HB-1230 OPTIONS & MISCELLANEOUS PARTS.....	34

INDEX OF FIGURES

FIGURE 1: HB-1230 Pothole Guard Parts.....	6
FIGURE 2: HB-1230 Caster Parts.....	7
FIGURE 3: 129-21-215-50-K Caster Subparts.....	8
FIGURE 4: WHEE-618 Rear Wheel Subparts.....	8
FIGURE 5: HB-1230 Drive Parts.....	9
FIGURE 6: HB-1230 Drive Subparts.....	10
FIGURE 7: HB-1230 Brake Subparts.....	10
FIGURE 8: HB-1230 Pump Parts.....	11
FIGURE 9: HYDR-050-9 Pump Subparts.....	12
FIGURE 10: HB-1230 Misc Parts.....	14
FIGURE 11: HB-1230 Controls/Electrical Parts.....	16
FIGURE 12: HB-1230 Main Cable Subparts.....	19
FIGURE 13: HB-1230 Upper Control Parts.....	20
FIGURE 14: HB-1230 Lower Control Parts.....	22
FIGURE 15: HB-1230 Master Power Switch Subparts.....	23
FIGURE 16: HB-1230 Key Switch Subparts.....	23
FIGURE 17: HB-1230 E-Stop Switch Subparts.....	24
FIGURE 18: HB-1230 Selector Switch Subparts.....	24
FIGURE 19: HB-1230 Scissors.....	26
FIGURE 20: HB-1230 Cylinder Subparts.....	28
FIGURE 21: Platform And Rails.....	30
FIGURE 22: HB-1230 Decal Parts.....	32
FIGURE 23: HB-1230 Options & Misc Parts.....	34

1.1 | POTHOLE GUARD PARTS

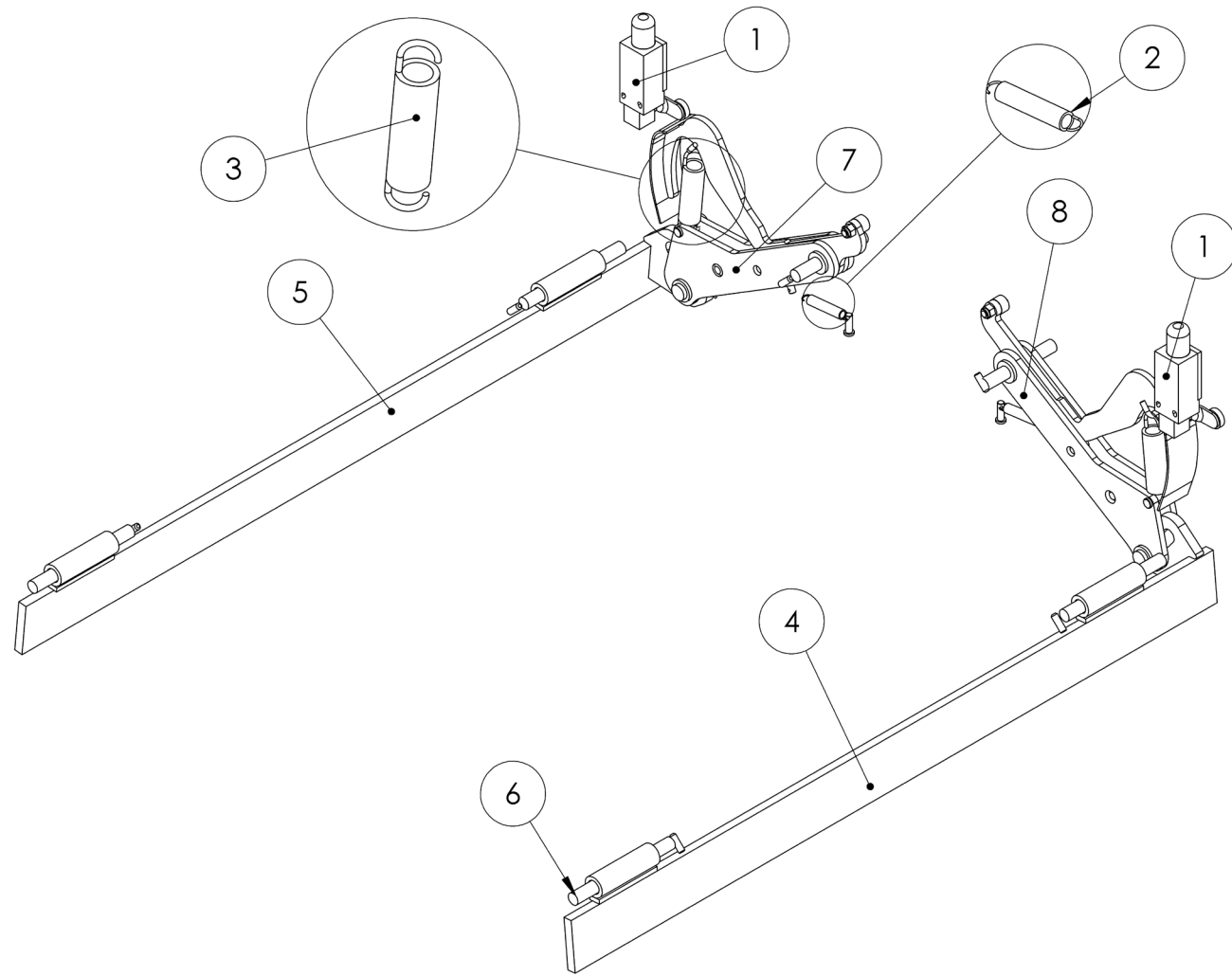


FIGURE 1: HB-1230 Pothole Guard Parts

Item #	Part Number	Part Description	Notes	Qty	Superseded By
1	ELEC-123-5	SWITCH,LIMIT,ROT LVR,NO/NC PO		2	
2	HARD-696	SPRING,EXT 2.25 X 0.38		2	
3	HARD-804	SPRING, EXT 4.0 X .81		2	
4	129-01-254-01	BASE,PH BAR L (HBMD)		1	
5	129-01-255-01	BASE,PH BAR R (HBMD)		1	
6	RND-HB-002-P	PIN,HINGE,0.50,5.0		4	
7	129-21-263-14-K	ASM,BASE PH ARM,L		1	
8	129-21-263-09-K	ASM,BASE PH ARM,R		1	

1.2 | CASTER PARTS

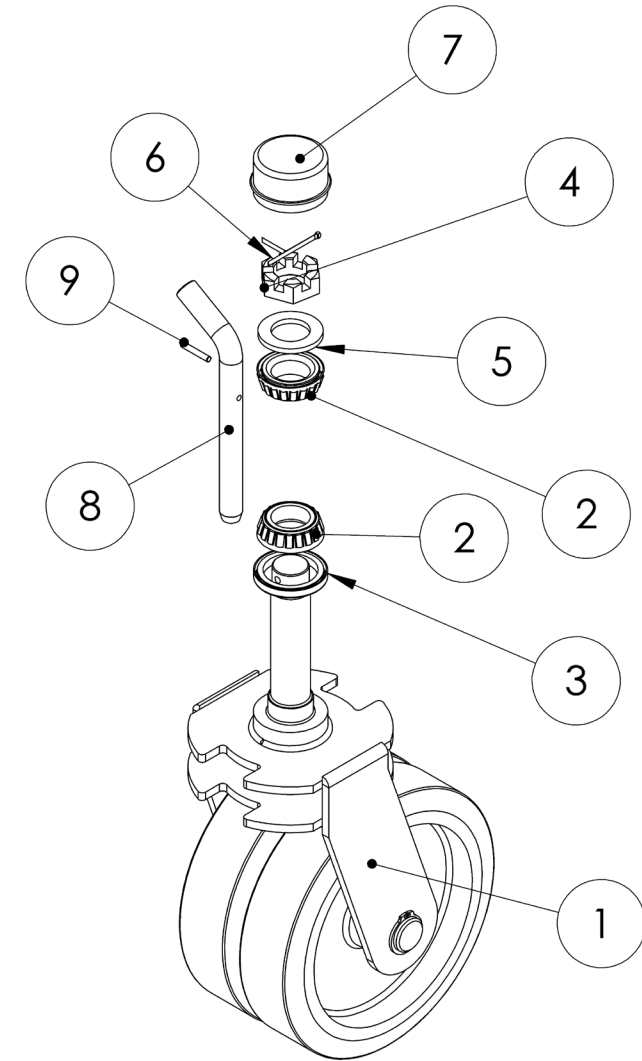


FIGURE 2: HB-1230 Caster Parts

Item #	Part Number	Part Description	Notes	Qty	Superseded By
1	129-21-215-50-K	ASM,CASTER		1	
2	WHEE-718	BEARING		2	
3	WHEE-717	SEAL		1	
4	WHEE-719	1-14 HEX SLOTTED AXLE NUT		1	
5	WHEE-716	WASHER,1.06IDX1.75ODX.155THK		1	
6	HARD-725	COTTER PIN, 3/16 X 2		1	
7	WHEE-714-100	HUB,COVER		1	
8	129-01-101-05	HITCH PIN,5/8 X 5		2	
9	129-01-102-03	COILED SPRING PIN, 5/32,1 L		2	

1.3 | CASTER SUBPARTS

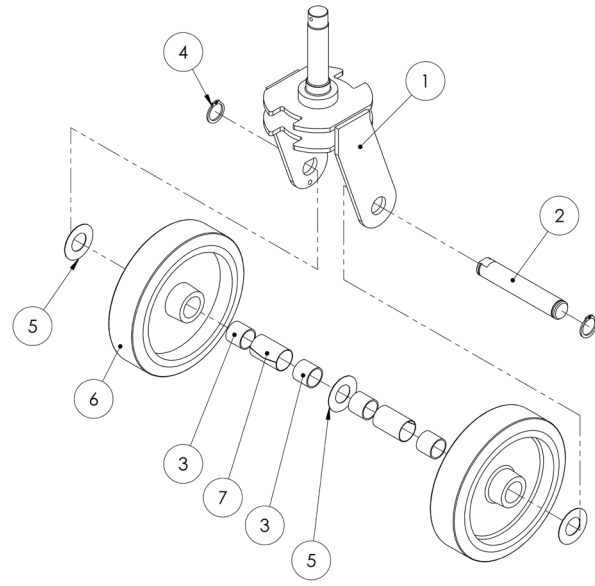


FIGURE 3: 129-21-215-50-K Caster Subparts

Item #	Part Number	Part Description	Notes	Qty	Superseded By
1	129-01-260-01	BASE,CASTER WLDMNT		1	
2	129-06-023-02	BASE,CASTER PIN		1	
3	HARD-001-2	DU BEARING,1.0 ID X 1.0 L		4	
4	HARD-021	RET RING 1.0		2	
5	WHEE-609-SS	WASHER, 1.015ID,2OD,.03 THK SS		3	
6	WHEE-706-KIT	WHL,8X2,GREY NM RUBBER		2	
7	WHEE-708	WHL, RACEWAY SPLIT 2.0		2	

1.4 | REAR WHEEL SUBPARTS

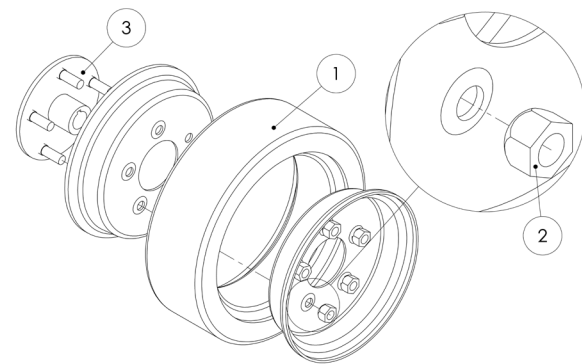


FIGURE 4: WHEE-618 Rear Wheel Subparts

Item #	Part Number	Part Description	Notes	Qty	Superseded By
1	WHEE-617	WHL,12X4,NM RUBBER		1	
2	WHEE-721	WHL,LUG NUT 1/2-20		5	
3	WHEE-730-02-KIT	HUB,KEYWAY 1.0,2.0		1	

1.5 | DRIVE PARTS

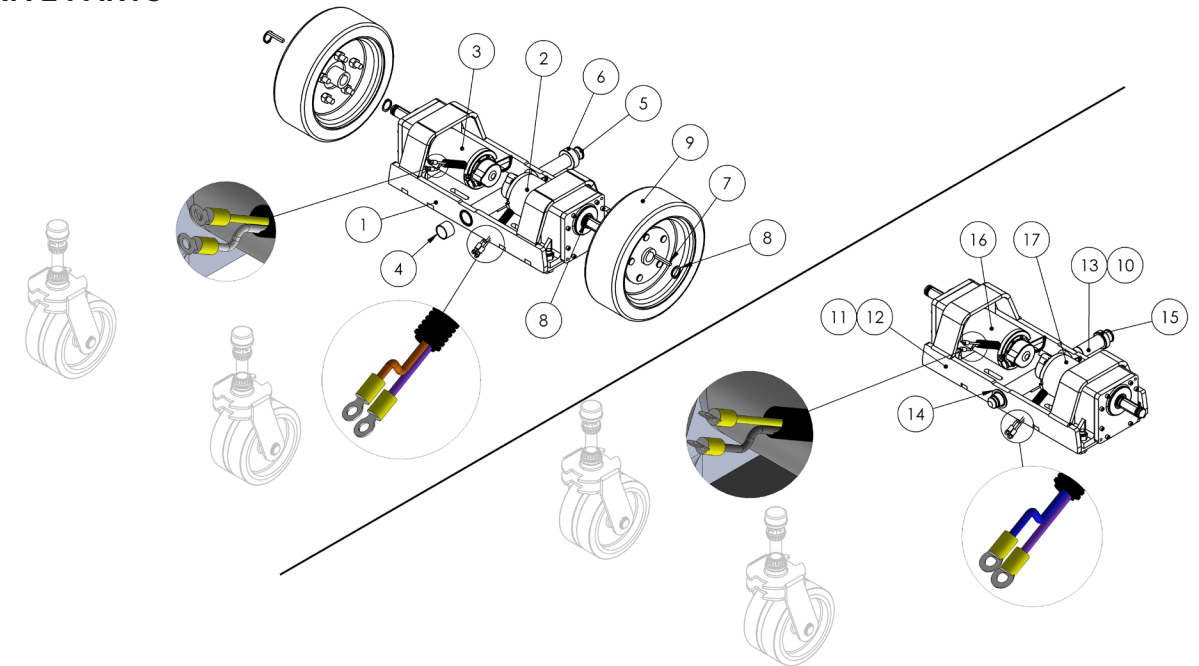


FIGURE 5: HB-1230 Drive Parts

Item #	Part Number	Part Description	Notes	Qty	Superseded By
1	129-01-381-02	BASE,REAR PIVOT WLDMNT	D08-30499-D08-39999	1	
2	ELEC-758-L-KIT	DRIVE MOTOR,24V ELEC,HB,DUM,L,HT	D08-29001-D08-29099, D08-30078, D08-31000-D08-39999 ;ORANGE/VIOLET LEADS	1	
3	ELEC-759-R-KIT	DRIVE MOTOR,24V ELEC,HB,DUM,R,HT	D08-29001-D08-29099, D08-30078, D08-31000-D08-39999 ; WHT-YEL/YEL LEADS	1	
4	HARD-001	DU BEARING, 1.25 ID, 1 LENGTH		2	
5	129-06-305-02	PIN,DRIVE MNT,1.25,14.06	D08-30567-D08-39999	1	
6	1021000102	SET COLLAR,1.25 ID	D08-30567-D08-39999	1	
7	HARD-157	KEY,0.25 X 0.25 X 2		2	
8	HARD-021	RET RING 1.0		4	
9	WHEE-618-KIT	WHL,12X4 NM RUBBER W/HUB		2	
10	129-06-205-02	PIN,DRIVE MNT,1.25,14.06	Superseded;D08-30000-D08-30566	1	129-06-305-02
11	129-01-352-02	BASE,REAR PIVOT WLDMNT	Superseded;D08-30000-D08-30566	1	129-01-381-02
12	129-01-337-02	BASE,REAR PIVOT WLDMNT	D08-20040-20041, D08-20044-45, D08-20064-29999	1	
12	129-01-372-02	BASE,REAR PIVOT WLDMNT	D08-20666-D08-29999	1	
13	129-06-202-02	PIN,DRIVE MNT,1.25,14.06	D08-20666-D08-29999	1	
14	WASH-1026	WASHER,1.25ID,1.87OD,.048THK	D08-20666-D08-29999	2	
15	129-01-243-04	BASE,SPACER PIVOT	D08-20040-D08-30566	1	
16	ELEC-626-5A-KIT	DRIVE MOTOR,24V ELEC,HB,DUM,R	D08-20040-41, 44-45, 64-77, D08-30079-30999; GREY/YEL LEADS;	1	
17	ELEC-626-5B-KIT	DRIVE MOTOR,24V ELEC,HB,DUM,L	D08-20040-41, 44-45, 64-77, D08-30079-30999; BLUE/VIOLET LEADS;	1	

1.6 | DRIVE SUBPARTS

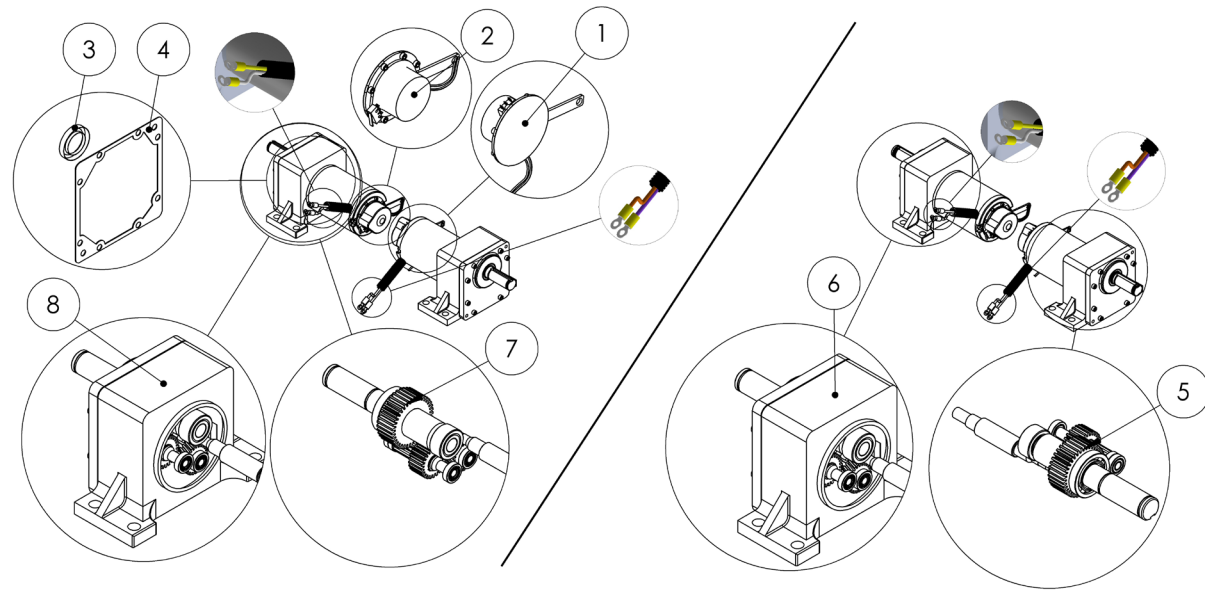


FIGURE 6: HB-1230 Drive Subparts

Item #	Part Number	Part Description	Notes	Qty	Superseded By
1	ELEC-627-5R	DRIVE MOTOR,BRAKE	LEFT BRAKE ON HB-1230	1	
2	ELEC-627-5L	DRIVE MOTOR,BRAKE	RIGHT BRAKE ON HB-1230	1	
3	ELEC-626-4A	DRIVE MOTOR SHAFT SEAL,DUM		1	
4	ELEC-626-4B	DRIVE MOTOR HOUSING GASKET,DUM		1	
5	ELEC-626-4G	DRIVE MOTOR GEARS,HB,DUM	D08-20666-D08-30077; D08-30079-D08-30999	1	
6	ELEC-626-4C	DRIVE MOTOR GEARBOX,DUM	D08-20666-D08-30077; D08-30079-D08-30999	1	
7	ELEC-760-G	DRIVE MOTOR GEARS,HB,DUM	D08-30078; D08-31000-D08-39998	1	
8	ELEC-760-C	DRIVE MOTOR GEARBOX,DUM HT	D08-30078; D08-31000-D08-39999	1	

1.7 | BRAKE SUBPARTS

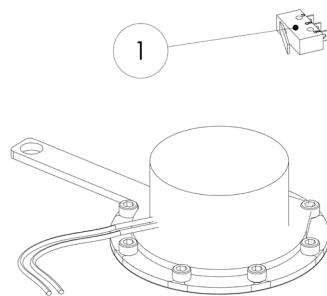


FIGURE 7: HB-1230 Brake Subparts

Item #	Part Number	Part Description	Notes	Qty	Superseded By
1	ELEC-126-7-KIT	SWITCH,LIMIT,LVR MICRO		1	

1.8 | PUMP PARTS

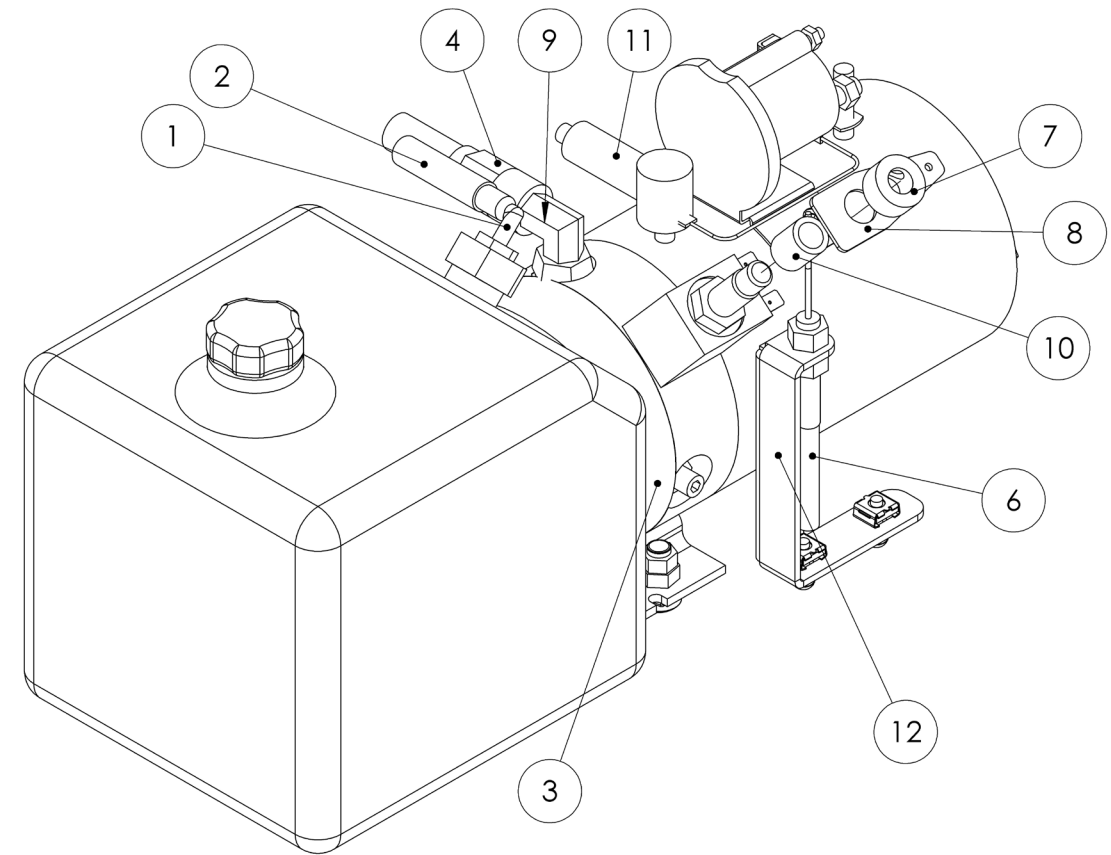
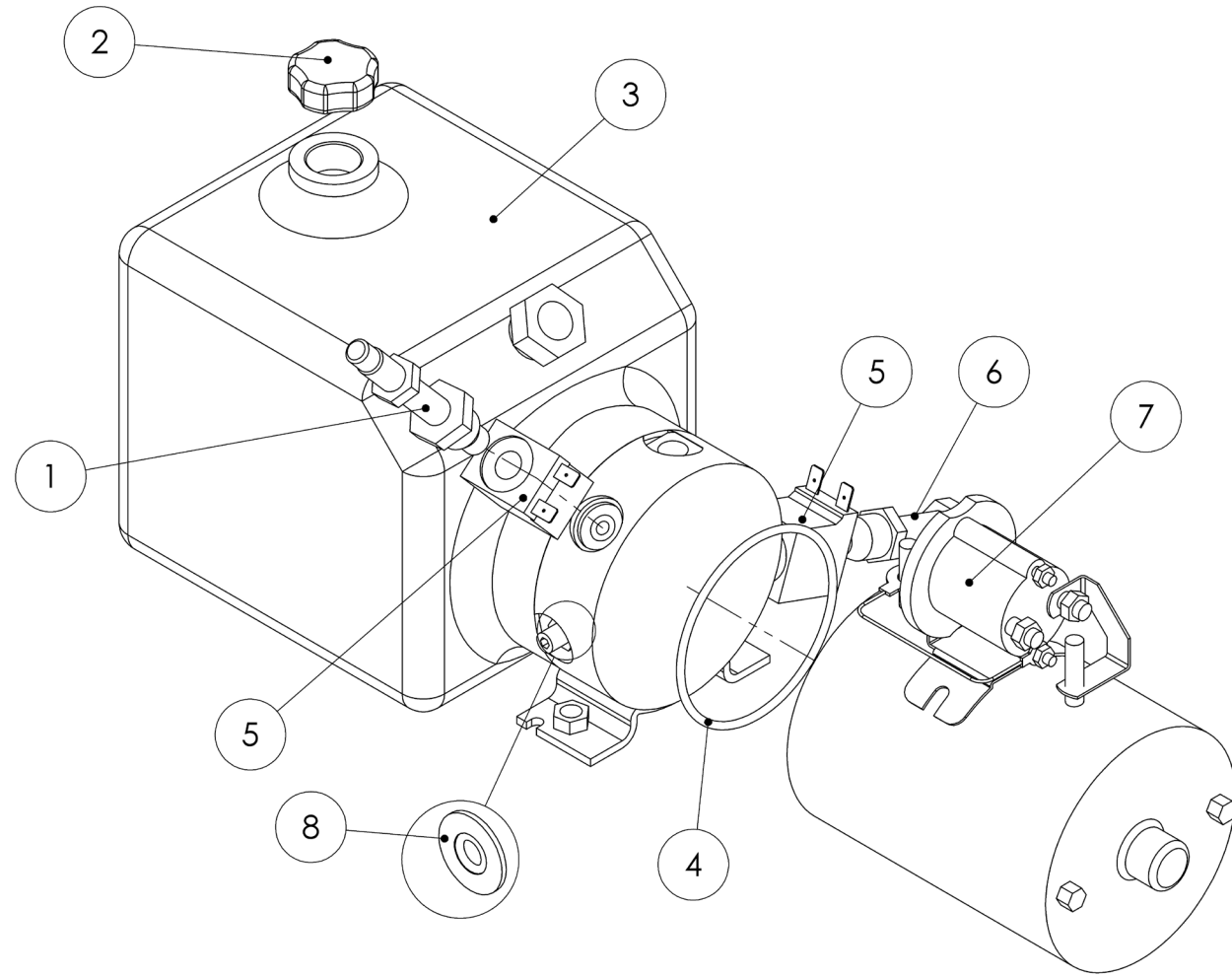


FIGURE 8: HB-1230 Pump Parts

Item #	Part Number	Part Description	Notes	Qty	Superseded By
1	HYDR-019	FITTING,ELB,NPTM 3/8-1/4 PUSH		1	
2	HYDR-022-3	LOW PRESSURE HOSE	Quantity in inches	132	
3	HYDR-050-9	PUMP,24VDC,0.125,0.88,2.5	Entire Pump	1	
4	HYDR-600	HOSE ASM,PRECUT 98.75		1	
5	HYDR-032	HYDRAULIC OIL	Not available as a replacement part. Replace with Flomite #150, Dexron II, Mobil-DTE 2 or equivalent	1	
6	HARD-644-04	LOW FRICTION CABLE, 43/52		1	
7	HARD-650	SET COLLAR 0.44 ID		1	
8	LAS-M115	SCISSOR,PLATE E-DOWN ACT		1	
9	HYDR-677	FITNG,ELB,JICM 9/16-SAEORM #6		1	
10	HARD-621	BUSHING,.44,.63,.750		1	
11	ELEC-634D	TERMINAL BOOT (BLACK)		1	
12	129-01-369-01	BASE, E-DOWN BRKT		1	

1.9 | PUMP SUBPARTS



THIS PAGE WAS INTENTIONALLY LEFT BLANK

FIGURE 9: HYDR-050-9 Pump Subparts

Item #	Part Number	Part Description	Notes	Qty	Superseded By
1	HYDR-007-2E-5	VALVE,NC,2W/2P,#8,DWN,PULL,DEL		1	
2	HYDR-042	PUMP RESERVOIR CAP		1	
3	HYDR-067-3	PUMP RESERVOIR,0.88 GAL		1	
4	HYDR-068	PUMP RESERVOIR O-RING		1	
5	HYDR-664	COIL,18V		2	
6	HYDR-665	VALVE,NO,2W/2P,#8,UP		1	
7	HYDR-666-1	SOLENOID,24V,ISOLATED,SPST		1	
8	HYDR-667	WASH,0.38 ID,0.75 OD,PRES SEAL		1	

1.10 | BASE MISC PARTS

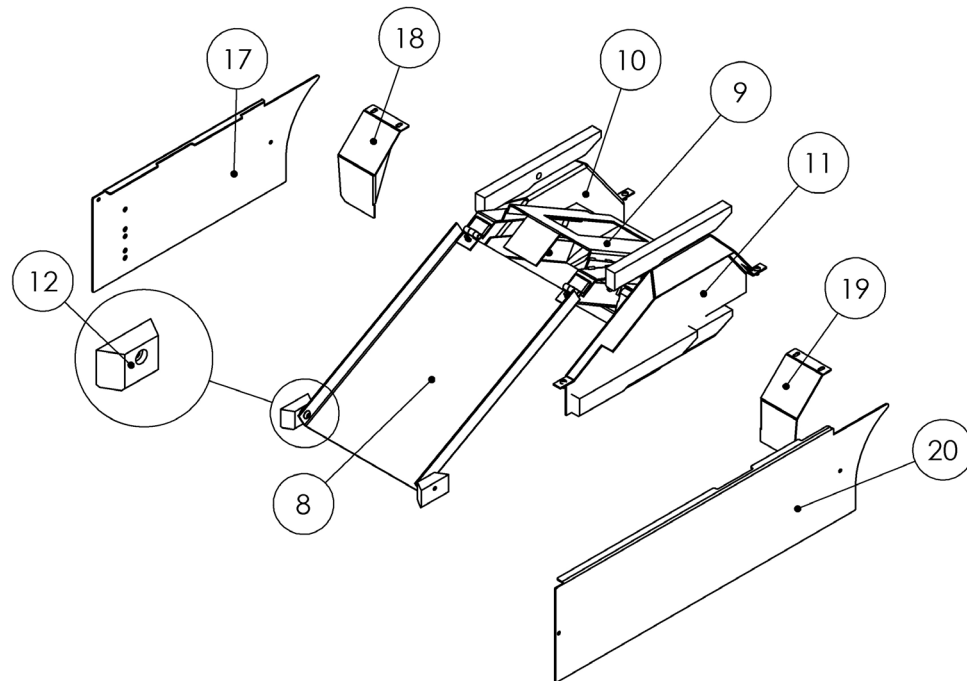
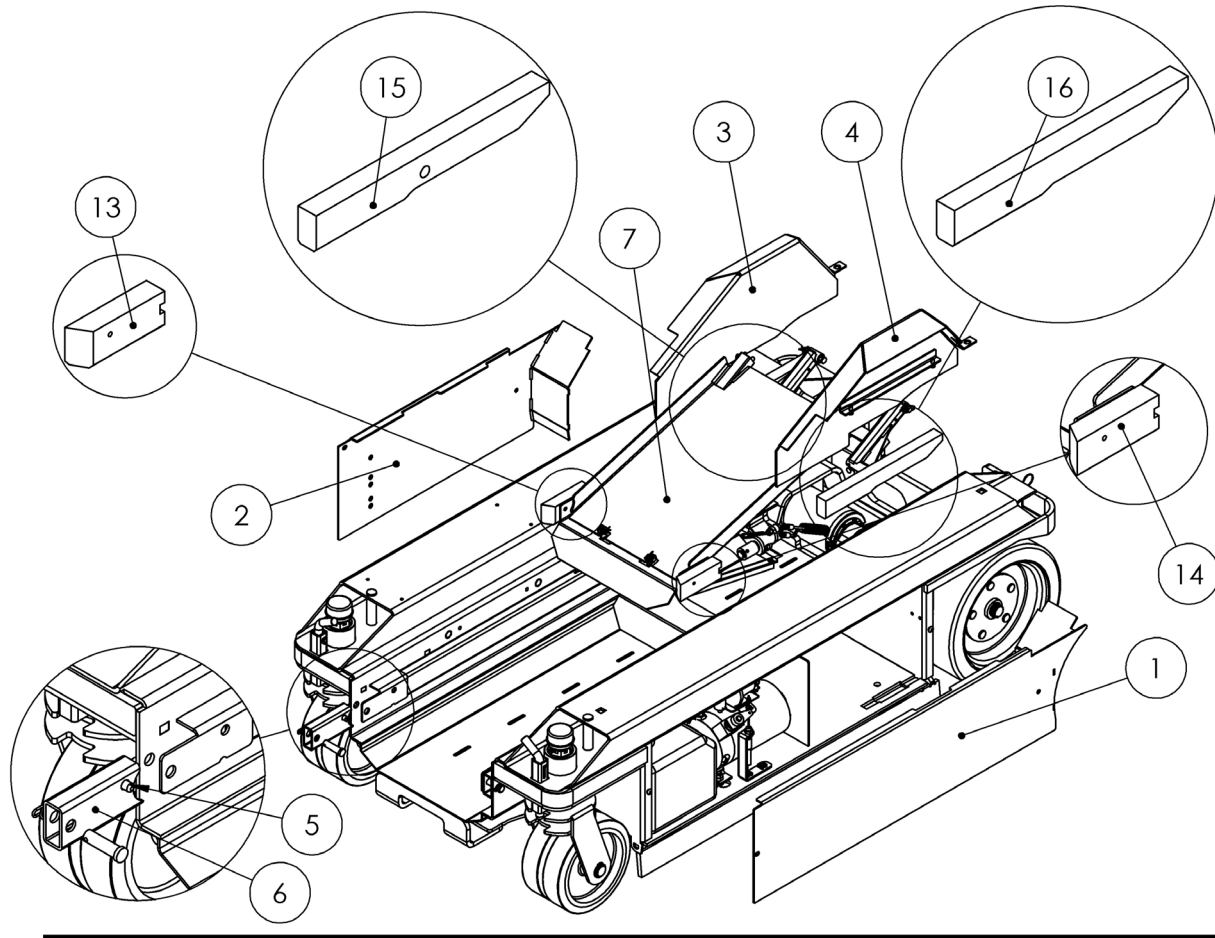


FIGURE 10: HB-1230 Misc Parts

Item #	Part Number	Part Description	Notes	Qty	Superseded By
1	129-05-211-01	BASE,COVER WLDMNT L		1	
2	129-05-210-01	BASE,COVER WLDMNT R		1	
3	129-01-357-06	BASE,INSIDE COVER WLDMNT, R	D08-30001-D08-39999	1	
4	129-01-357-11	BASE,INSIDE COVER WLDMNT,L	D08-30001-D08-39999	1	
5	HARD-067	SNAP BUTTON,0.38 SINGLE END		2	
6	129-01-232-02	BASE,SCISSORS LOCK		2	
7	129-21-252-50-K	ASM,BASE,PIVOT LOCK	D08-30001-D08-39999	1	
8	129-21-239-50-K	ASM,BASE MID-COVER	D08-20040-41,44-45,64-29099	1	
9	129-21-243-50-K	ASM, CLAMSHELL	D08-20040-41,44-45,64-29099	1	
10	129-01-321-06	BASE,COVER REAR SIDE	D08-20040-41,44-45,64-29099	1	
11	129-01-321-11	BASE,COVER REAR SIDE	D08-20040-41,44-45,64-29099	1	
12	129-01-327-05	BASE,BLOCK GUIDE	D08-20040-41,44-45,64-29099	2	
13	129-01-344-10	BASE,BLOCK GUIDE	D03-30001-D03-39999	1	
14	129-01-344-15	BASE,BLOCK GUIDE	D03-30001-D03-39999	1	
15	129-01-316-09	BASE, LOCK, PIVOT REAR	Superseded;D08-20041,44-45,64-29099 D08-3001-D08-30499	1	129-01-385-09
15	129-01-373-09	BASE,LOCK,PIVOT REAR	D03-20040-D03-20040	1	
15	129-01-385-09	BASE, LOCK, PIVOT REAR	D03-D08-30500-D03-39999	1	
16	129-01-316-14	BASE, LOCK, PIVOT REAR	Superseded;D08-20041,44-45,64-29099 D08-3001-D08-30499	1	129-01-385-09
16	129-01-373-14	BASE,LOCK,PIVOT REAR	D08-20040-D08-20040	1	
16	129-01-385-14	BASE, LOCK, PIVOT REAR	D08-30500-D08-39999	1	
17	129-05-202-01	BASE,COVER,R	Superseded;	0	129-05-210-01
18	129-01-296-06	BASE,COVER LS	Superseded;	0	129-05-210-01
19	129-01-296-11	BASE,COVER LS	Superseded;	0	129-05-211-01
20	129-05-203-01	BASE,COVER,L	Superseded;	0	129-05-211-01

2.1 | CONTROLS/ELECTRICAL PARTS

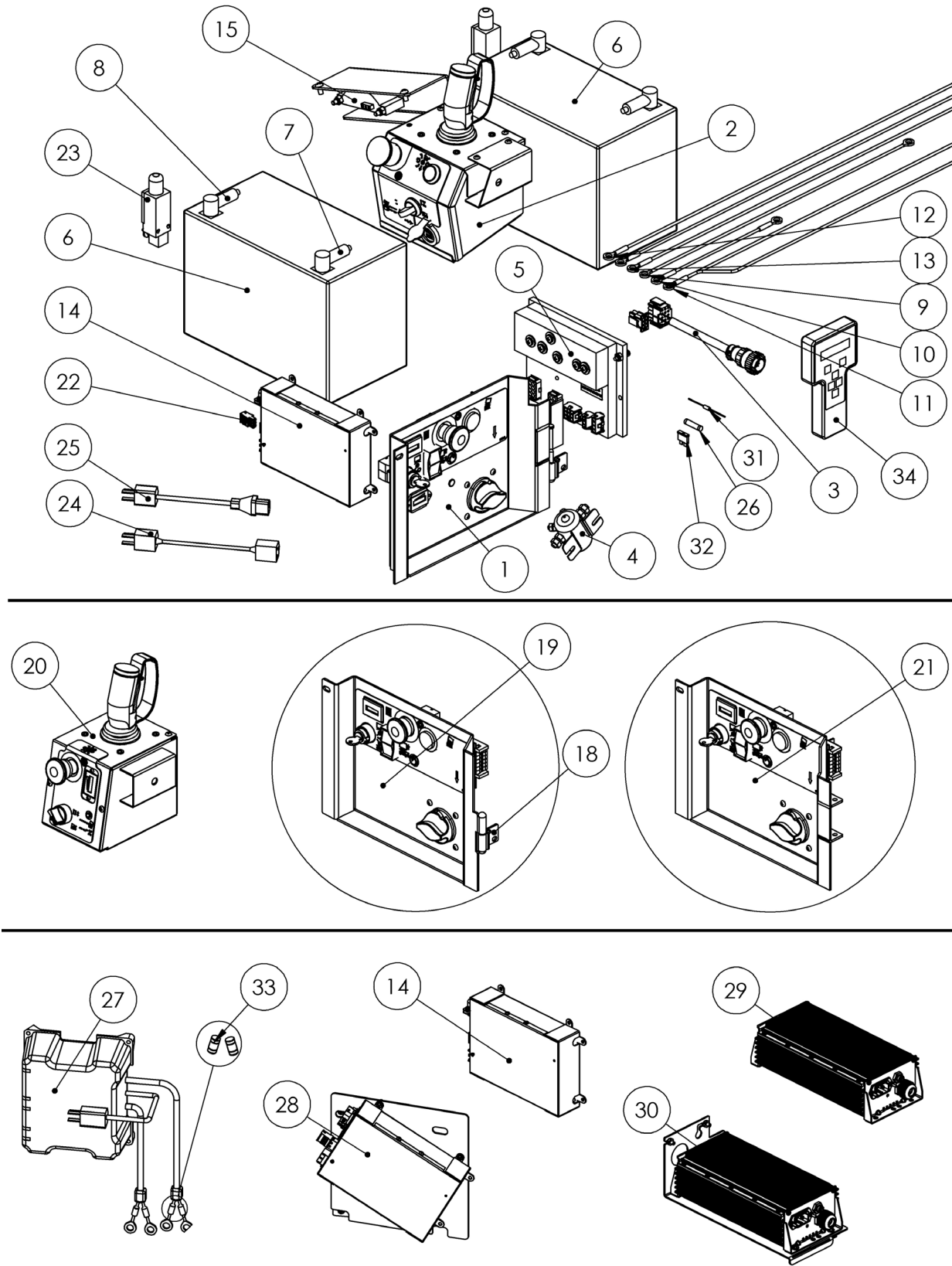


FIGURE 11: HB-1230 Controls/Electrical Parts

Item #	Part Number	Part Description	Notes	Qty	Superseded By
1	129-21-307-50	ASM,CTL LWR (HBMD S3.1)	D08-30500-D08-39999; Lwr Ctl includes Battery Meter	1	
2	129-21-308-50	ASM,CTL UPR ZTR	D08-30500-D08-39999; Used with lwr ctl that has battery meter	1	
3	129-21-007-50	CTL,WIRE HARNESS MAIN HB-1230	D08-20040-41, 44-45,20064-30127; Includes 3-pin connector	1	
3	129-21-302-50	CTL,WIRE HARNESS MAIN HB-1230	D08-30128-D08-30499; Includes 6-pin connector	1	
3	129-21-311-50	CTL,WIRE HARNESS MAIN HB-1230	D08-30500-D08-39999; Includes 6-pin connector	1	
4	HYDR-666	SOLENOID,24V,ISOLATED,SPST		1	
5	129-21-227-50	BOARD,DRIVE/LIFT CTL HB-MID	D08-20040-41,44-45,64-199, 30000-30046	1	
5	129-21-267-50-K	BOARD,DRIVE/LIFT CTL HB-MID	D08-29000-D08-29999, D08-30100-39999	1	
5	129-21-268-50	BOARD,DRIVE/LIFT CTL HB-MID	D08-30078-D08-30078	1	
6	ELEC-047-5	BATTERY,12V,GR27 AGM		2	
7	ELEC-634D	TERMINAL BOOT (BLACK)		2	
8	ELEC-634C	TERMINAL COVER (RED)		3	
9	ELEC-641E	CABLE,6GA,BLACK,22.00,B/B		1	
10	129-01-090-50	CABLE,6GA,RED,10,R/R,.38 EYES		1	
11	129-01-090-51	CBL,6GA,RED,42&50,R/R,.38 EYES		1	
12	ELEC-641C	CABLE,6GA,RED,50,B/R		1	
13	ELEC-641A	CABLE,6GA,BLACK,63,B/B		2	
14	ELEC-770	CHARGER,24V,12A AGM LES PRIME	D08-31004-06,09-15,49,31060-39999; FOR AGM BATT	1	
15	ELEC-647	SENSOR,ANGLE		1	
16	WD-129-20-201-50	WD,HB-1230 S2	D08-20040-41,44-45,20064-29999,30000-30099; WIRING DIAGRAM	1	
16	WD-129-20-204-50	WD,HB-1230 S2-RETRO	D08-29000-D08-29099; WIRING DIAGRAM	1	
16	WD-129-20-301-50	WD,HB-1230 S3	D08-30100-D08-30499; WIRING DIAGRAM	1	
16	WD-129-20-316-50	WD,HB-1230 S3	D08-30500-D08-39999; WIRING DIAGRAM	1	
17	WS-129-20-201-50	ELEC SCH,HB-1230 S2	D08-20040-41,44-45,20064-29999,30000-30099; ELECTRICAL SCHEMATIC	1	
17	WS-129-20-301-50	ELEC SCH,HB-1230 S3	D08-29000-D08-29099; ELECTRICAL SCHEMATIC	1	
17	WS-129-20-316-50	ELEC SCH,HB-1230 S3	D08-30500-D08-39999; ELECTRICAL SCHEMATIC	1	
18	129-01-305-01	BASE,COVER HINGE	D08-20040-41,44-45,20064-20199,29000-29099	1	
19	129-21-206-50	ASM,CTL LWR (HBMD S2)	D08-20040-41,44-45,64-199; Mates with board 129-21-227, Panel has hinge	1	

19	129-21-271-50	ASM,CTL LWR (HBMD S2)	D08-29000-D08-29099; Mates with board 129-21-267, Panel has hinge	1
20	129-21-249-50	ASM,CTL UPR	D08-20040-41,44-45,20064-30499	1
21	129-21-256-50	ASM,CTL LWR (HBMD S3)	D08-30000-46,78; Mates with board 129-21-227, Panel has bolt pivot	1
21	129-21-266-50	ASM,CTL LWR (HBMD S3 HT)	D08-30100-D08-30127; Mates with board 129-21-227, Panel has bolt pivot	1
21	129-21-303-50	ASM,CTL LWR (HBMD S3 HT.1)	D08-30128-D08-30499; Mates with board 129-21-227, mates with cable 129-21-311	1
22	129-21-323-50-K	CTL,CHR INTERLOCK KIT	FOR USE WITH ELEC-770	1
23	ELEC-123-5	SWITCH,LIMIT,ROT LVR,NO/NC PO		1
24	ELEC-639	CORD,NEMA 5-15P/5-16R,6.0	6 INCH CHARGER PIGTAIL	1
25	ELEC-639-3	CORD,NEMA 515/IEC C13,36	36 INCH LENGTH CHARGER CORD	1
26	ELEC-670-2	FUSE 20 AMP AGC	D08-20040-D08-20127	1
27	ELEC-747	CHARGER,24V	D08-20040-D08-31003,07-08,16-48,50-059; PCS	1
28	ELEC-770-KITC	CHARGER,24V,LES PRI RETRO HBMD	RETROFIT TO ELEC-770	1
29	ELEC-772	CHARGER,24V,25A,LES SLM	D08-31060-D08-39999	1
30	ELEC-772-KITB	CHARGER,24V,LES SLM RETRO MDS2	RETROFIT TO ELEC-772	1
31	ELEC-809-2	RESISTOR 1K OHM, 1 WATT		1
32	ELEC-959	FUSE, 20A ATC	D08-30128-D08-29999	1
33	ELEC-670-6	FUSE 30 AMP,PCS		4
34	ELEC-646-2	TOOL,PGT PROGRAMMER,EZ-CAL		1

2.2 | MAIN CABLE SUBPARTS

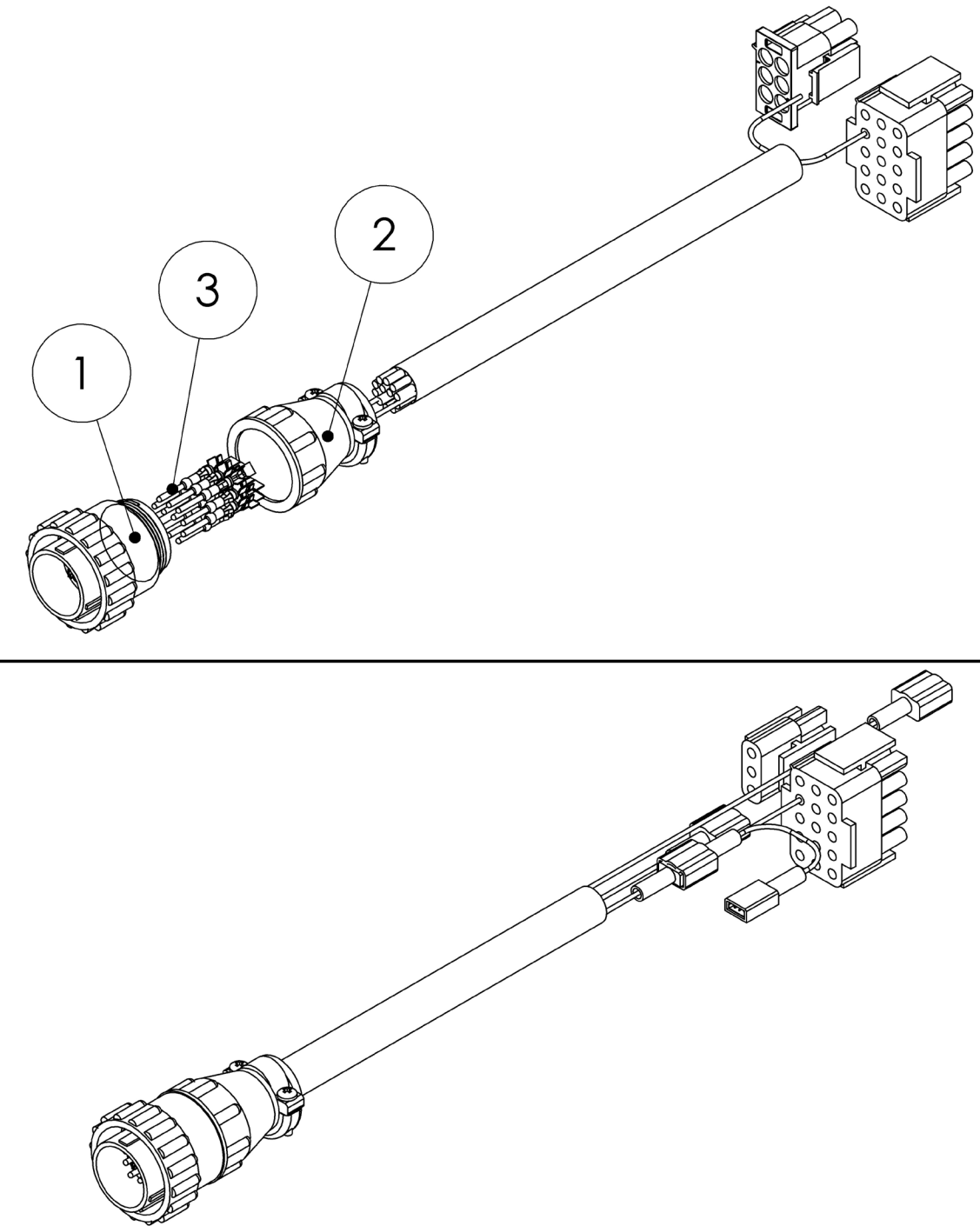


FIGURE 12: HB-1230 Main Cable Subparts

Item #	Part Number	Part Description	Notes	Qty	Superseded By
1	ELEC-749	CONN,CPC,PLUG,14 POS		1	
2	ELEC-750	CABLE CLAMP,CPC,BACK SHELL		1	
3	ELEC-752	CONTACT PIN,CPC,14-18GA TIN		12	

2.3 | UPPER CONTROL PARTS

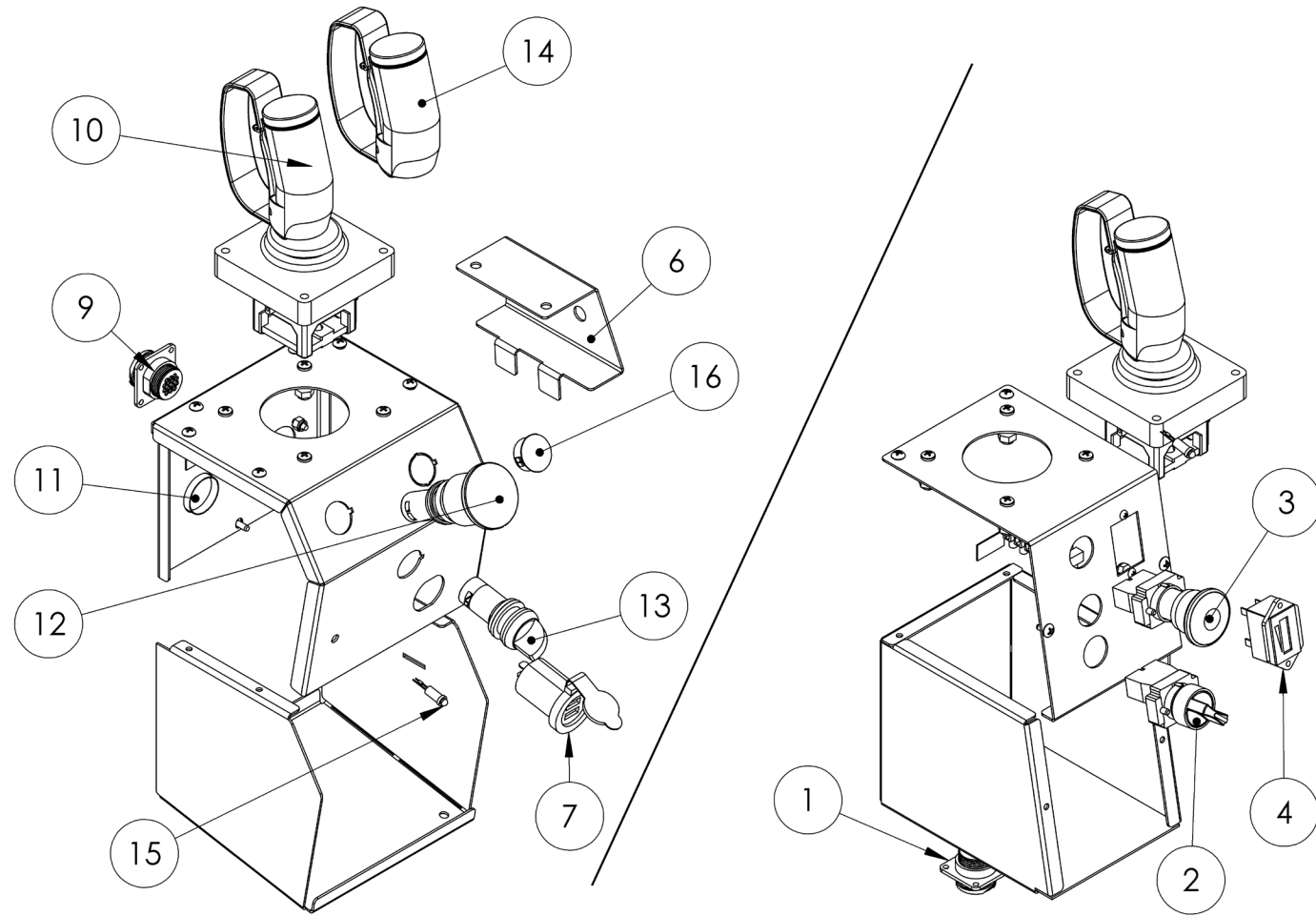


FIGURE 13: HB-1230 Upper Control Parts

Item #	Part Number	Part Description	Notes	Qty	Superseded By
1	129-21-006-90	CTL,WIRE HARNESS,UPR CTL	D08-20040-041,44-45,64-30499	1	
2	ELEC-002C-KIT	SWITCH,ROTARY MAINTAINED		1	
3	ELEC-071-KIT	BUTTON,PUSH/PULL RED E-STOP		1	
4	ELEC-610-4	METER,VOLT,24V	D08-20040-041,44-45,64-30499	1	
5	WD-129-21-249-50	WD,UPR CTL HB-1230 S2.5/3	D08-20040-041,44-45,64-30499 WIRING DIAGRAM	1	
5	WD-129-21-308-50	WD,UPR CTL HB-1230 S2.5/3	D08-30500-D08-39999; WIRING DIAGRAM	1	
6	129-03-104-01	RAIL,CTL MNT CHNL	D08-30500-D08-39999	1	
7	ELEC-892	POWER PORT,USB 12/24V		1	
9	129-21-309-50	CTL,WIRE HARNESS,UPR CTL	D08-30500-D08-39999	1	
10	ELEC-606	JOYSTICK,MULTI-AXIS	Superseded; D08-20040-D08-30902	1	ELEC-609
10	ELEC-609	JOYSTICK,MULTI-AXIS W/ GUARD		1	
11	HARD-707	PLUG,1.09 DIA, BLACK	Superseded;	1	HARD-726
11	HARD-726	PLUG,1.09 DIA,BLACK		1	
12	ELEC-065	BUTTON,TWIST REL. RED E-STOP		1	
13	ELEC-068	SWITCH, ROTARY MAINT. ,2-POS		1	
14	ELEC-609-KIT	JOYSTICK,MULTI-AXIS GUARD KIT	D08-20040-D08-30902	1	
15	ELEC-636	LED, RED		1	
16	HARD-706	PLUG,0.88 DIA,BLACK		1	

2.4 | LOWER CONTROL PARTS

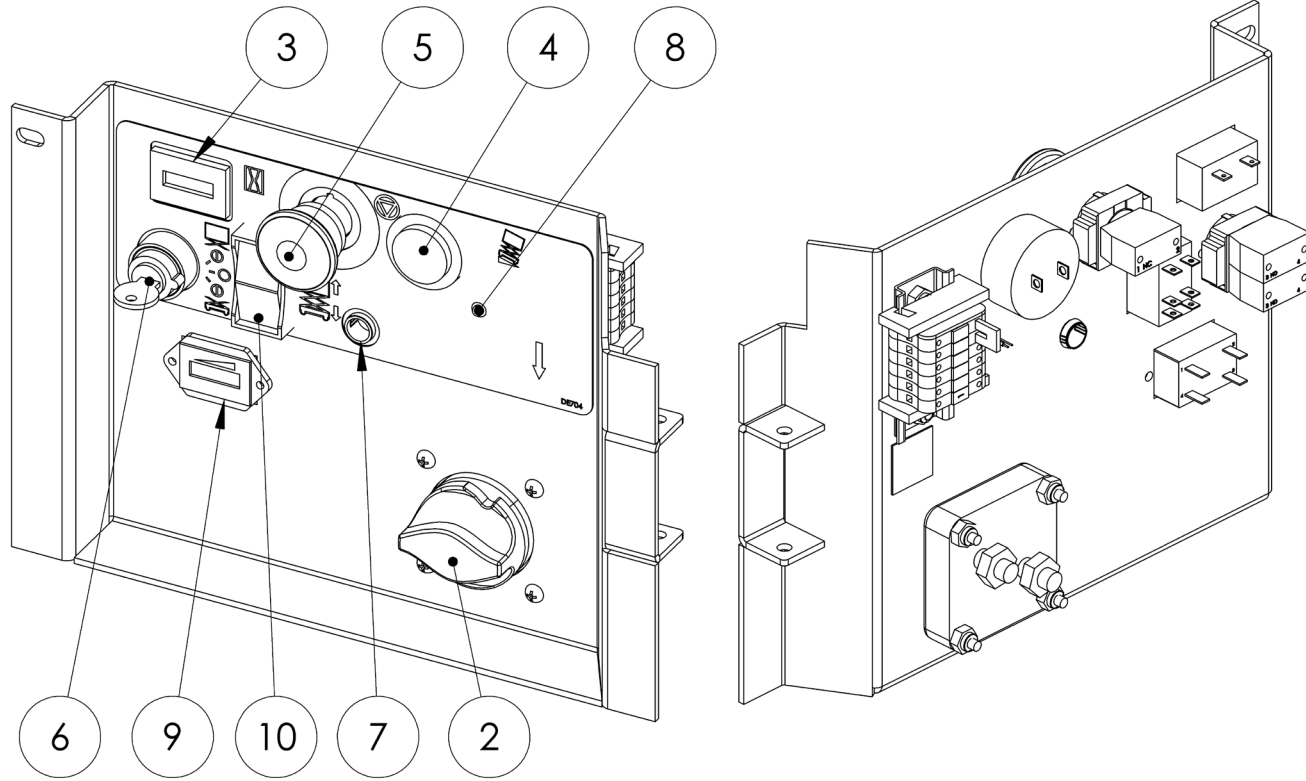


FIGURE 14: HB-1230 Lower Control Parts

Item #	Part Number	Part Description	Notes	Qty	Superseded By
1	WD-129-21-206-50	WD,LWR CTL HB-1230 S2	D08-20040-41,44-45,064-0199,30001-30046, WIRING DIAGRAM	1	
1	WD-129-21-266-50	WD,LWR CTL HB-1230 S3	D08-29001-29999, 30100-30127	1	
1	WD-129-21-303-50	WD,LWR CTL HB-1230 S3	D08-30128-D08-30499, WIRING DIAGRAM	1	
1	WD-129-21-307-50	WD,LWR CTL HB-1230 S3	D08-30500-D08-39999, WIRING DIAGRAM	1	
2	ELEC-633-4	SWITCH,MASTER DISCONNECT		1	
3	ELEC-610-2	METER,HOUR		1	
4	ELEC-635-4	ALARM, CONTINUOUS		1	
5	ELEC-071-KIT	BUTTON,PUSH/PULL RED E-STOP		1	
6	ELEC-073D-KIT	SWITCH,KEY,3-POS MAINTAINED		1	
7	HARD-692	PLUG,0.50 DIA,TRANSPARENT		1	
8	ELEC-636	LED, RED		1	
9	ELEC-610-4	METER,VOLT,24V		1	
10	ELEC-133B	SWITCH,ROCKER DPDT		1	

2.5 | MASTER POWER SWITCH SUBPARTS

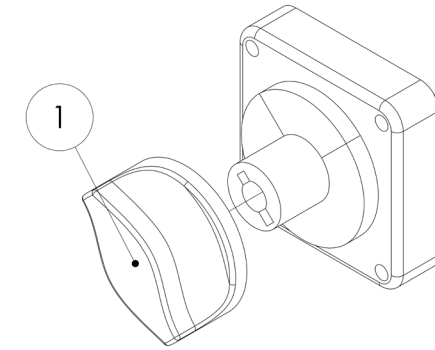


FIGURE 15: HB-1230 Master Power Switch Subparts

Item #	Part Number	Part Description	Notes	Qty	Superseded By
1	ELEC-633-5	SWITCH KNOB,MASTER DISCONNECT		1	

2.6 | KEY SWITCH SUBPARTS

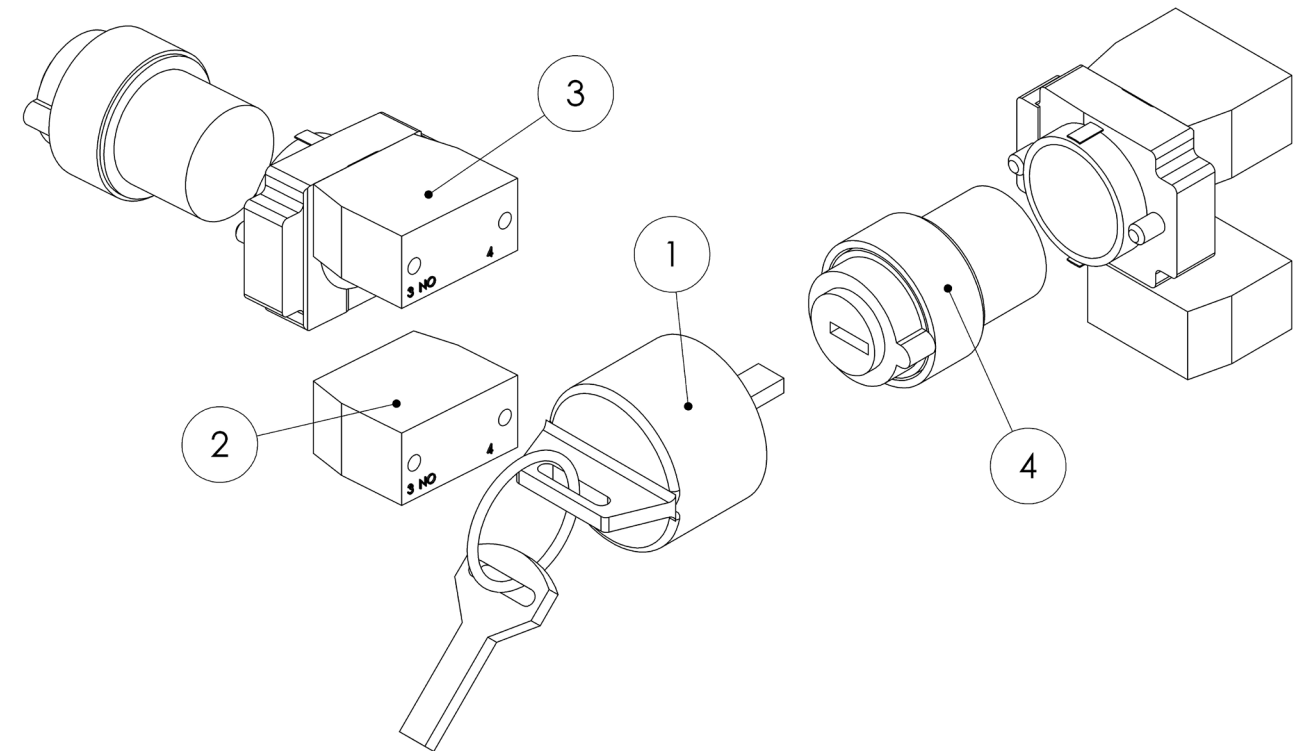


FIGURE 16: HB-1230 Key Switch Subparts

Item #	Part Number	Part Description	Notes	Qty	Superseded By
1	ELEC-073EKEY	KEY,SPARE		1	
2	ELEC-603	CONTACT BLOCK,NO		1	
3	ELEC-871-KIT	CONTACT BLOCK,NO W/BASE		1	
4	ELEC-073D	SWITCH,KEY 3-POS MAINT		1	

2.7 | E-STOP SWITCH SUBPARTS

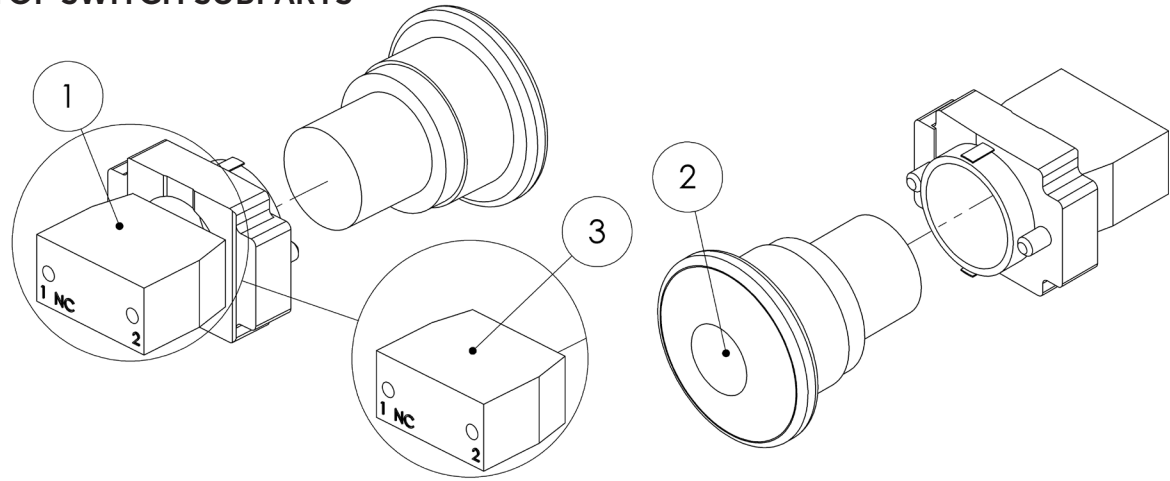


FIGURE 17: HB-1230 E-Stop Switch Subparts

Item #	Part Number	Part Description	Notes	Qty	Superseded By
1	ELEC-872-KIT	CONTACT BLOCK,NC W/BASE		1	
2	ELEC-071	BUTTON,PUSH/PULL RED E-STOP		1	
3	ELEC-072	CONTACT BLOCK,NC		1	

2.8 | SELECTOR SWITCH SUBPARTS

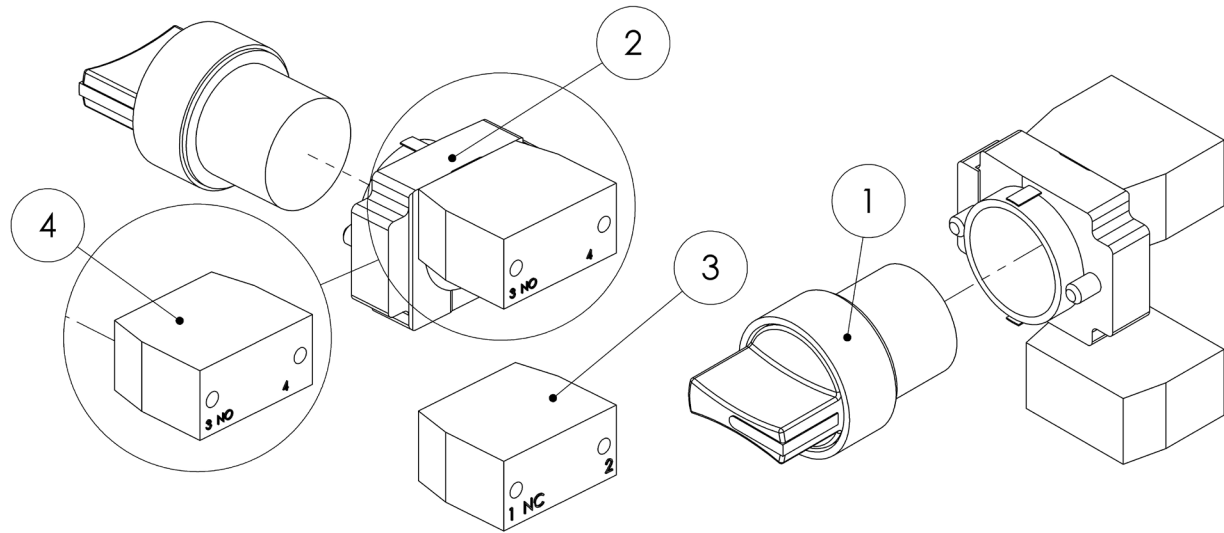
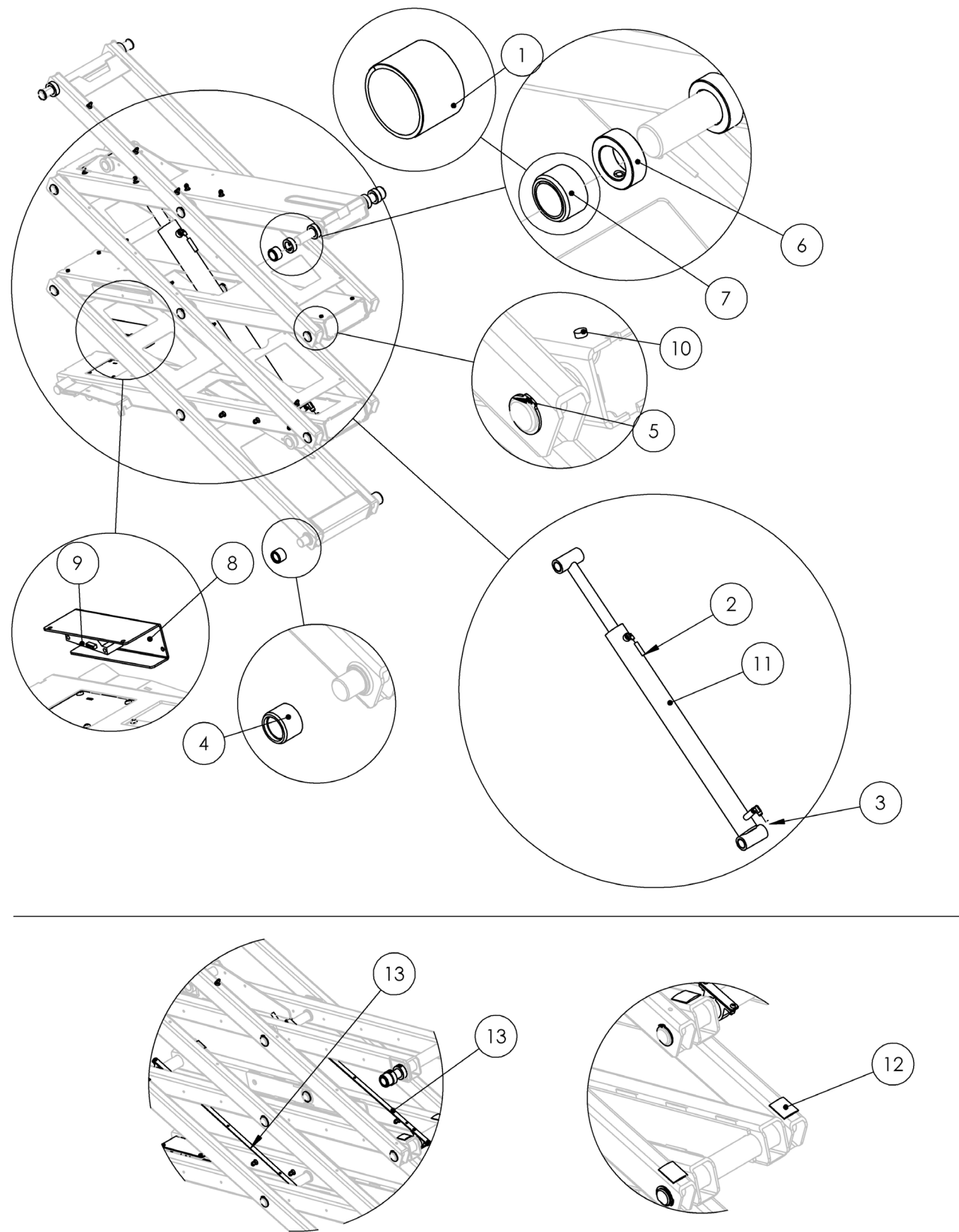


FIGURE 18: HB-1230 Selector Switch Subparts

Item #	Part Number	Part Description	Notes	Qty	Superseded By
1	ELEC-002C	SWITCH,ROTARY,MAINTAINED		1	
2	ELEC-871-KIT	CONTACT BLOCK,NO W/BASE		1	
3	ELEC-072	CONTACT BLOCK,NC		1	
4	ELEC-603	CONTACT BLOCK,NO		1	

THIS PAGE WAS INTENTIONALLY LEFT BLANK

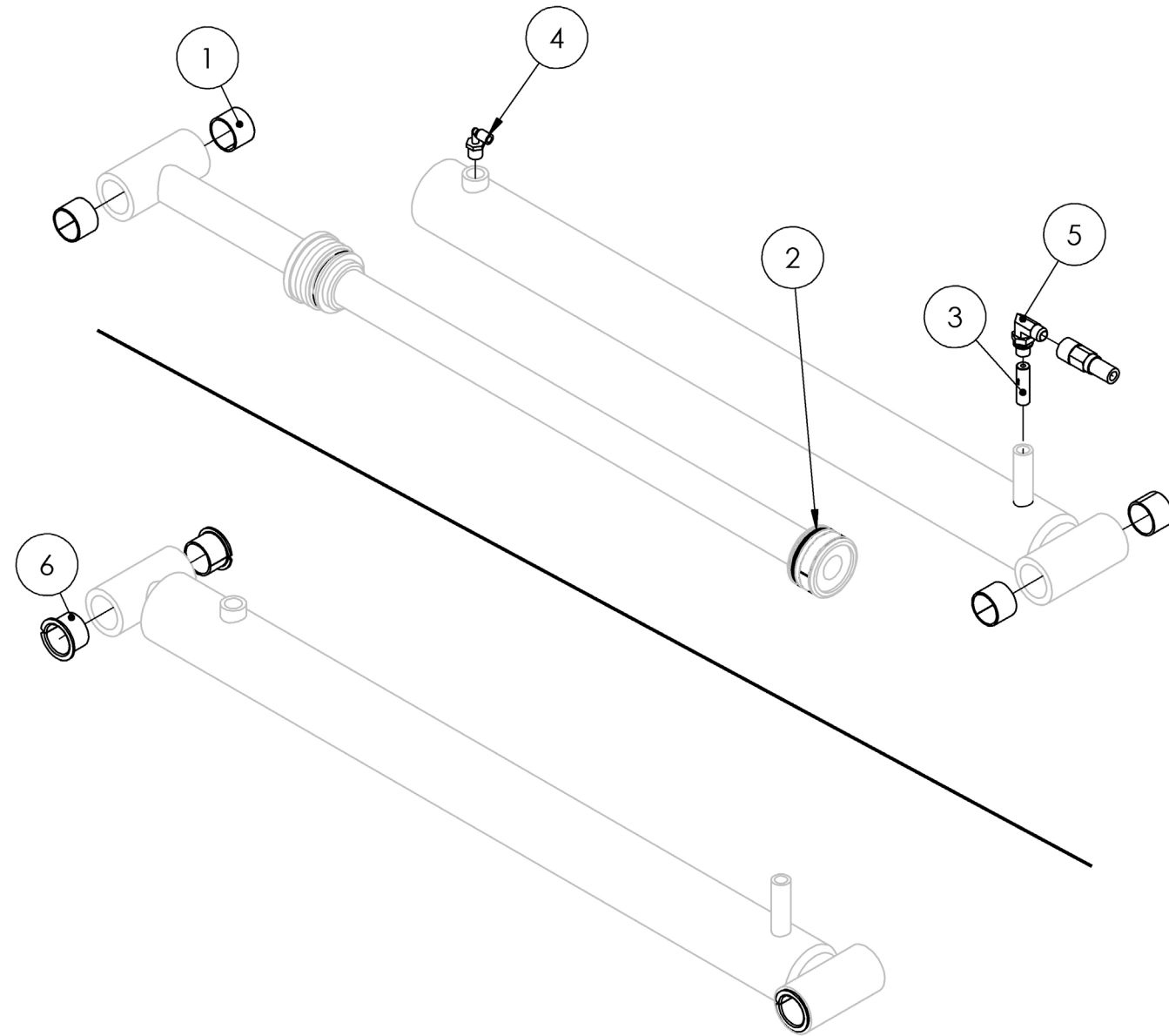
3.1 | HB-1230 SCISSORS



Item #	Part Number	Part Description	Notes	Qty	Superseded By
1	HARD-001	DU BEARING, 1.25 ID, 1 LENGTH		4	
2	HYDR-022-3	LOW PRESSURE HOSE	Quantity in inches	132	
3	HYDR-600	HOSE ASM,PRECUT 98.75		1	
4	129-21-009-50-K	ASM,ROLLER,1.25 W/DU		2	
5	HARD-022	RET RING 1.25		18	
6	1021000102	SET COLLAR,1.25 ID		6	
7	BM-6006-1-KIT	ASM,ROLLER,1.00 W/DU		2	
8	129-02-202-01	SCISSOR, ANG SENSOR MNT		1	
9	ELEC-647	SENSOR,ANGLE		2	
10	HARD-694	PUSH-IN BUMPER	D08-30000-39999	8	
11	129-21-002-90-K	ASM,SCISSOR CYL HB12-ANSI		1	
12	MISC-007-01-KIT	1 3/8 MOLDING BOND	D08-20064-29999	10	
13	129-02-203-11	SCISSOR,CONDUIT BRKT	D08-20064-29999	2	

FIGURE 19: HB-1230 Scissors

3.2 | HB-1230 CYLINDER SUBPARTS

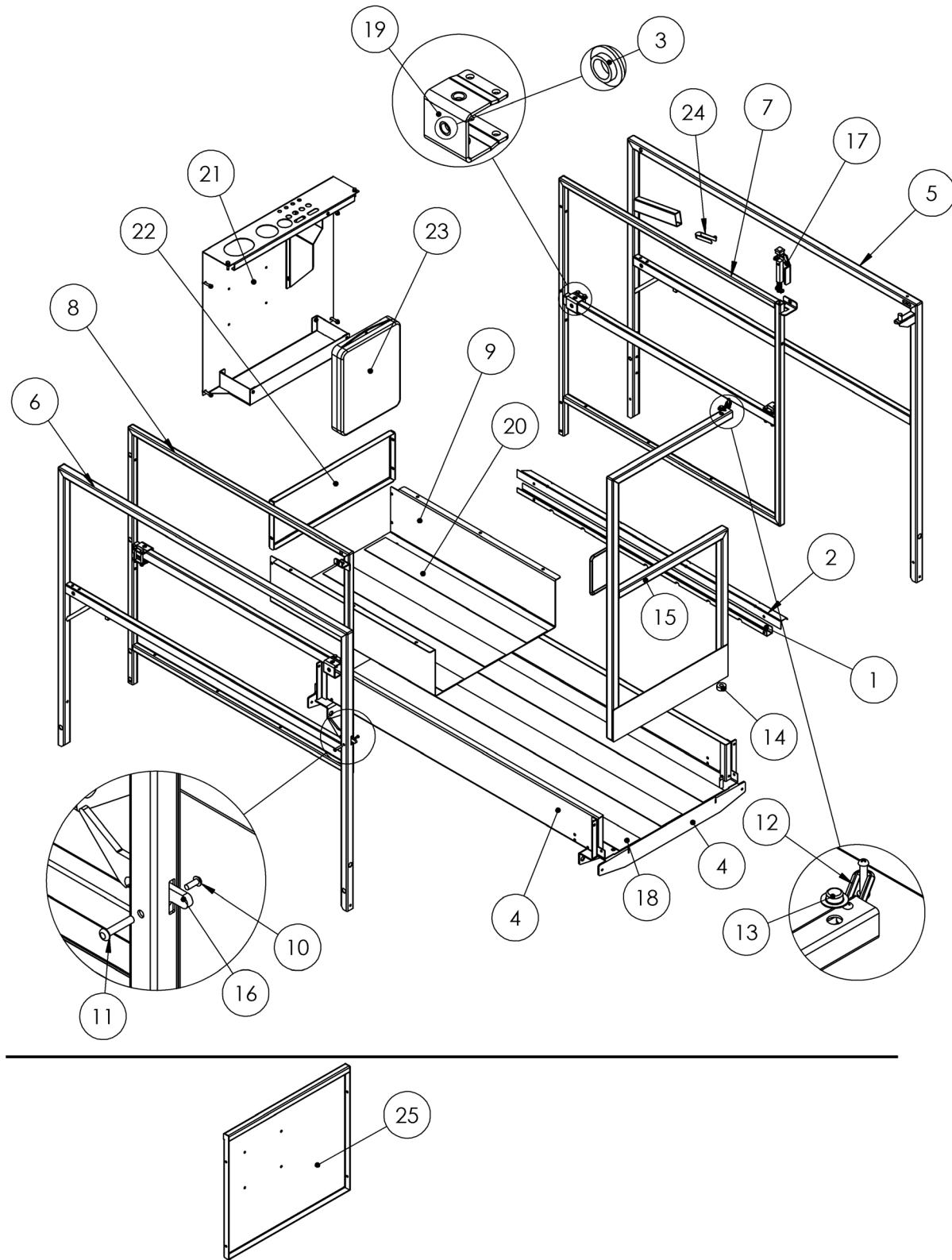


THIS PAGE WAS INTENTIONALLY LEFT BLANK

FIGURE 20: HB-1230 Cylinder Subparts

Item #	Part Number	Part Description	Notes	Qty	Superseded By
1	HARD-001	1.25X1.00 SLEEVE BEARING,PTFE		4	
2	HYDR-012-SK	CYL,SEAL KIT 2.5 B,1.5 R		1	
3	HYDR-033	VELOCITY FUSE-7.0 GPM		1	
4	HYDR-019	FITTING,ELB,NPTM 3/8-1/4 PUSH		1	
5	HYDR-035	FITTING,ELB,JICM9/16-SAEORM#6			
6	HARD-003	1.25X1.00 FLNGE BEARING,PTFE			

4.1 | PLATFORM & RAILS



Item #	Part Number	Part Description	Notes	Qty	Superseded By
1	129-04-205-01	PF,CONDUIT CHANNEL LOWER	STANDARD YELLOW	1	
2	129-04-206-01	PF,CONDUIT CHANNEL UPPER	STANDARD YELLOW	1	
3	HARD-626	0.38X0.50X0.19 SLD WASH,NYL W	Superseded; Obsolete	0	HARD-626-3
3	HARD-626-3	0.38X0.50X0.19 SLD WASH,NYL W		1	
4	129-04-201-01	PF,WLDMNT	STANDARD YELLOW	1	
4	129-04-201-20	PF,WLDMNT,GRN	GREEN	1	
5	129-03-209-01	RAIL,WC R	STANDARD YELLOW	1	
5	129-03-209-20	RAIL,WC R,GRN	GREEN	1	
6	129-03-203-01	RAIL,WC L	STANDARD YELLOW	1	
6	129-03-203-20	RAIL,WC L,GRN	GREEN	1	
7	129-03-212-01	RAIL,SO R	STANDARD YELLOW	1	
7	129-03-212-20	RAIL,SO R,GRN	GREEN	1	
8	129-03-214-01	RAIL,SO L	STANDARD YELLOW	1	
8	129-03-214-20	RAIL,SO L,GRN	GREEN	1	
9	129-03-208-01	RAIL, SO FLOOR BOLT-ON	STANDARD YELLOW	1	
9	129-03-208-20	RAIL, SO FLOOR BOLT-ON,GRN	GREEN	1	
10	SCREW-1100	10-24 X 0.50 PAN HEAD SCRW		3	
11	HARD-649	0.25 X 1.25 BARREL SCRW,10-24		3	
12	HARD-606-2	ORING,0.25 X 5		1	
13	HARD-656-1	QUICK NUT-1/2 ROD		1	
14	143-04-007-04	SPACER,.5ID,1.25OD, 0.5 THK		1	
15	129-03-222-01	RAIL,GATE	STANDARD YELLOW	1	
15	129-03-222-20	RAIL,GATE,GRN	GREEN	1	
16	1000307601	RAIL,GATE LATCH		1	
17	1002100692-KIT	ASM,RAIL SLIDE LOCK	STANDARD YELLOW	1	
17	1002100692-KITG	ASM,RAIL SLIDE LOCK	GREEN	1	
18	MISC-031-11-KIT	ANTI-SLIP TAPE,4.00,54.00 LENG		3	
19	LAS-M078-1-KIT	ASM,RAIL SLIDE CHNL W/WASHERS	STANDARD YELLOW	4	
19	LAS-M078-1-KITG	ASM,RAIL SLIDE CHNL W/WASHERS	GREEN	4	
20	MISC-031-01-KIT	ANTI-SLIP TAPE,4.00,31.00 LENG		3	
21	129-21-321-50-K	ASM,RAIL TOOL TRAY		1	
22	129-03-211-01	RAIL, SO TOE BOARD	STANDARD YELLOW	1	
22	129-03-211-20	RAIL, SO TOE BOARD,GRN	GREEN	1	
23	HARD-603	MANUAL BOX		1	
24	HARD-067	0.38SNAP BUTTON,SINGLE END		1	
25	129-03-206-01	RAIL,SO END WLDMNT	Superseded; STANDARD YELLOW	0	129-21-321-50-K
25	129-03-206-20	RAIL,SO END WLDMNT,GRN	Superseded; GREEN	0	129-21-321-52-K

FIGURE 21: Platform And Rails

5.1 | HB-1230 DECALS

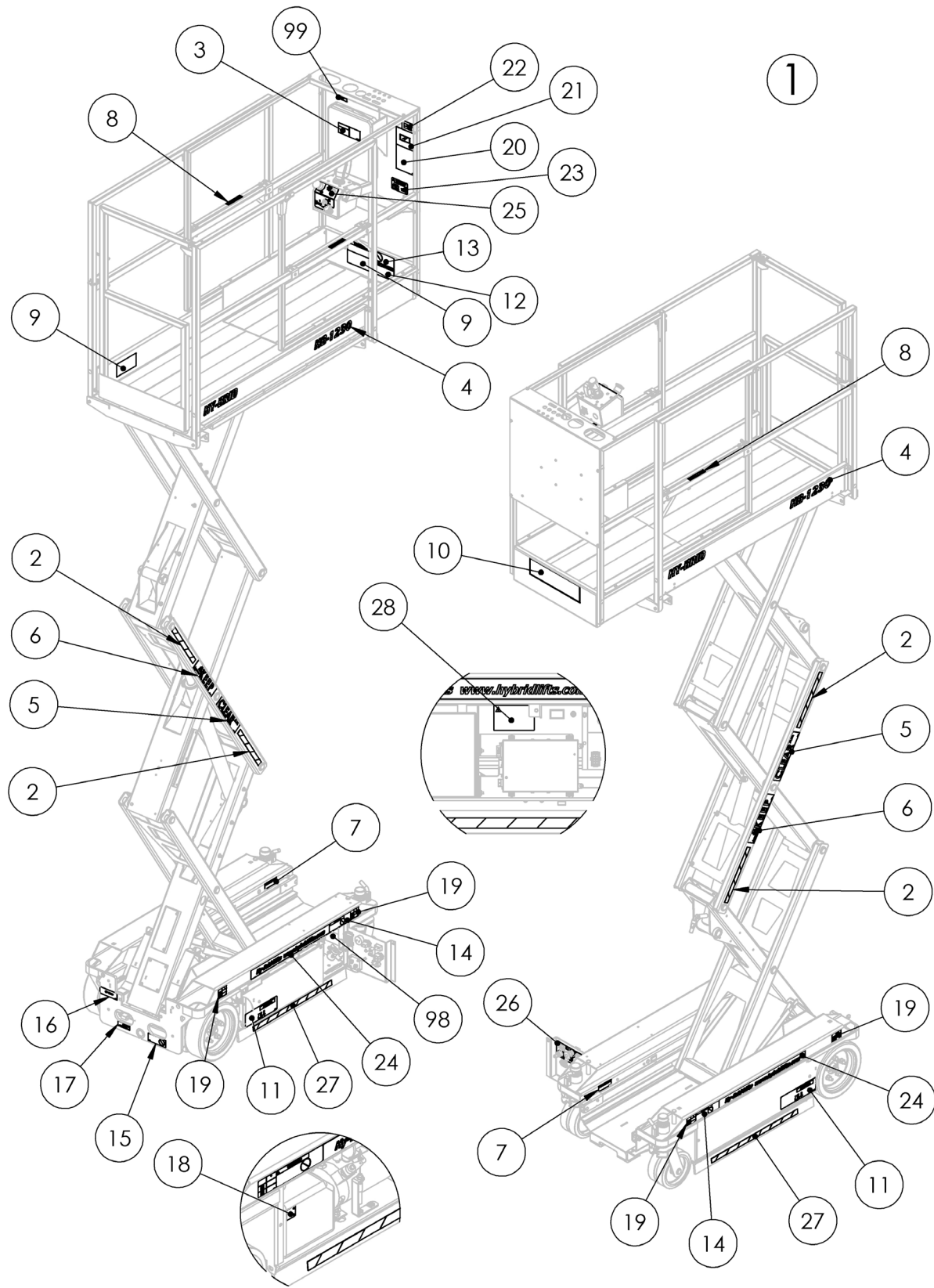


FIGURE 22: HB-1230 Decal Parts

Item #	Part Number	Part Description	Notes	Qty	Superseded By
1	129-21-212-50-K	DECALS,HB-1230 S2 ANSI	D08-20040-D08-29099; DECAL SET	1	
1	129-21-312-50-K	DECALS,HB-1230 S3 ANSI	D08-30000-D08-30499; DECAL SET	1	
1	129-21-315-50-K	DECALS,HB-1230 S3 ANSI	D08-30500-D08-39999; DECAL SET	1	
2	DE717-62	DECAL,SAFETY STRIPE (12.00)		4	
3	DE600E-10	DECAL,MANUAL BOX		1	
4	DE603-6	MODEL# DECAL-HB-1230		2	
5	DE708	DECAL,CLEAR		2	
6	DE707	DECAL,KEEP		2	
7	DE600E-14	DECAL,MAINT LOCK		2	
8	DE746	DECAL,LANYARD ATTACHMENT		2	
9	DE712	DECAL,CAPACITY,550#,2P,I,W/SO		2	
10	DE821	DECAL,LOGO HY-BRID		1	
11	DE709	DECAL, LWR		2	
12	DE706	DECAL,UPR HB		1	
13	DE719	DECAL,CASTERLOCK		1	
14	DE721	DECAL,CASTERLOCK		2	
15	DE747	DECAL,BRAKE RELEASE/NO TOW		1	
16	DE751	DECAL,E-DOWN CABLE		1	
17	DE753	DECAL,CHARGER CORD		1	
18	DE679	DECAL,HYDR FLUID		1	
19	DE748	DECAL,WHEEL LOAD HB-1230 S2	D08-20040-D08-29099	4	
19	DE765	DECAL,WHEEL LOAD HB-1230 S3	D08-30000-D08-39999	4	
20	DE755	DECAL,ERROR ALARMS		1	
21	DE777	DECAL,BATT CHARGE DAILY		1	
22	DE782	DECAL,MADE IN USA		1	
23	DE649	DECAL,CAPACITY, TOOL TRAY		1	
24	DE822	DECAL,WEBSITE		2	
25	DE764	DECAL, CTL UPR	D08-20040-D08-30499	1	
25	DE773	DECAL,CTL UPR ZTR	D08-30500-D08-39999	1	
26	DE704	DECAL,CTL LWR ANSI ZTR-MID		1	
27	DE717-61	DECAL,SAFETY STRIPE (24.00)		2	
28	DE797	DECAL,BATT/CHR COMPATABILITY		1	
31	DE601	DECAL,LOGO HY-BRID	Superseded;	0	DE821
33	DE652	DECAL,WEBSITE	Superseded;	0	DE822
98	N/A	SERIAL NUMBER		0	
99	N/A	SERIAL NUMBER REFERENCE		0	

6.1 | HB-1230 OPTIONS & MISCELLANEOUS PARTS

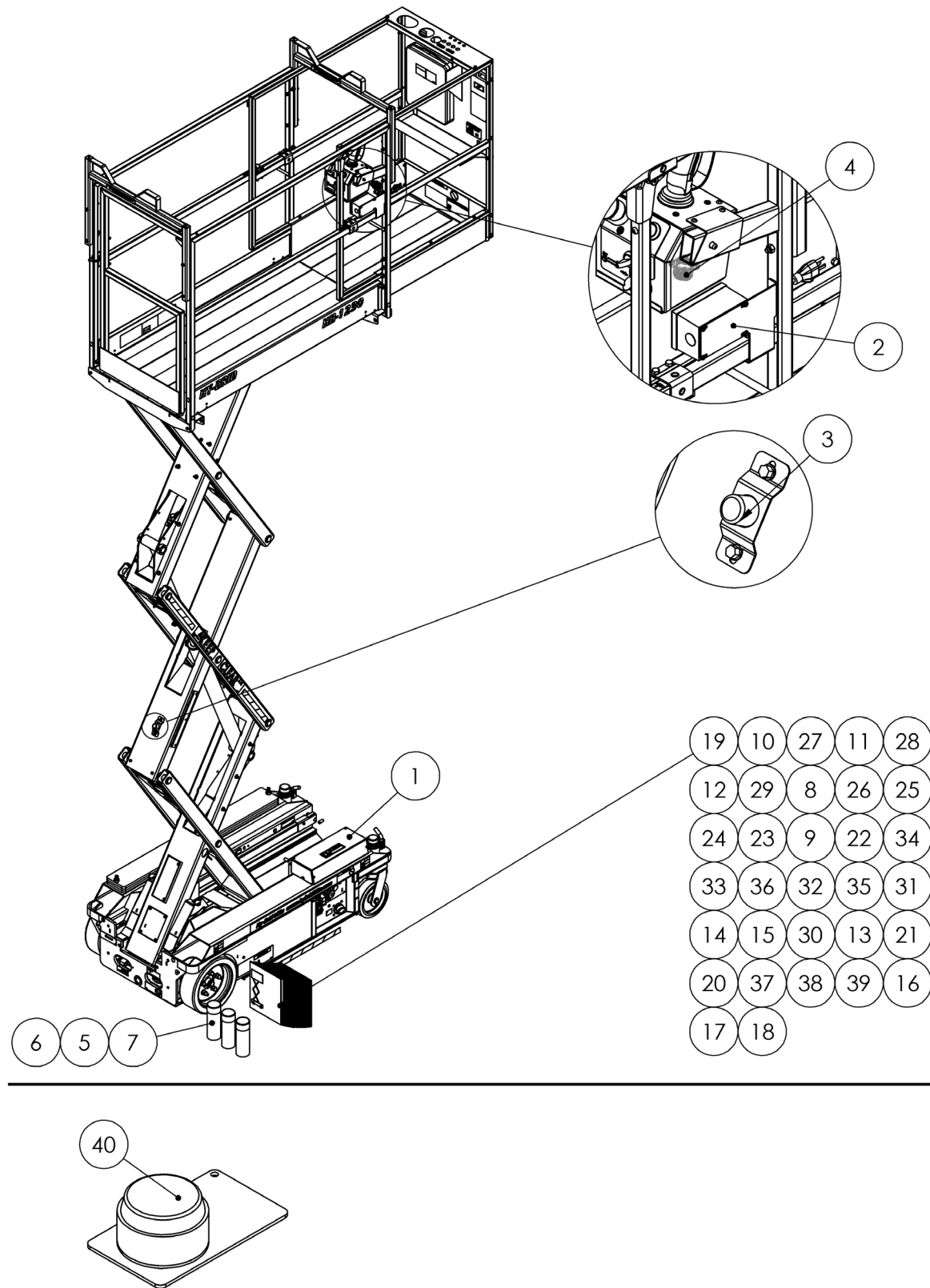


FIGURE 23: HB-1230 Options & Misc Parts

Item #	Part Number	Part Description	Notes	Qty	Superseded By
1	129-21-319-52-K	ASM,PTP HB1230-S3.1 W PWR INV		1	
2	129-21-219-50	ASM,PTP HB1230S2	Superseded; D08-20040-D08-30499	1	129-21-319-50-K
2	129-21-319-50-K	ASM,PTP HB1230 S3.1	D08-30500-D08-39999	1	
3	129-21-335-50-K	BEACON,FLASHING(AMBER) HBMD S3	D08-30100-D08-39999	1	
4	129-21-236-50-K	ASM,UPR CTL CONNECTOR ALT		1	
5	MISC-625	PAINT,YELLOW TOUCH-UP SPRAY		1	
6	MISC-627	PAINT,GREEN TOUCH-UP SPRAY		1	
7	MISC-624	PAINT,WHITE TOUCH-UP SPRAY		1	
8	SUPO-667	DOCUMENT,CSA DECL HB-1230 S2	D08-20040-D08-20199	1	
9	SUPO-685	DOCUMENT,CSA DECL HB-1230 S3	D08-30100-D08-39999	1	
10	SUPO-677	MANUAL,OP HB-830/1230 S3	D08-20040-41,44-45,64-199,2900-29099	1	
11	SUPO-677FRC	MANUAL,OP HB-830/1230 S3,FR	D08-20040-41,44-45,64-199,2900-29099	1	
12	SUPO-677SPA	MANUAL,OP HB-830/1230 S3,FR	D08-20040-41,44-45,64-199,2900-29099;	1	
13	SUPO-695	MANUAL,OP HB-830/1230 S3.1	D08-30500-D08-31003,07-08,16-48,50-59	1	
14	SUPO-695FRC	MANUAL,OP HB-830/1230 S3,FR	D08-30500-D08-31003,07-08,16-48,50-59	1	
15	SUPO-695SPA	MANUAL,OP HB-830/1230 S3,FR	D08-30500-D08-31003,07-08,16-48,50-59	1	
16	SUPO-728	MANUAL,OP HB-830/1230 S3.2	D08-31004-06,09-15,49,60-39999	1	
17	SUPO-728FRC	MANUAL,OP HB-1230 S3.2,FR	D08-31004-06,09-15,49,60-39999	1	
18	SUPO-728SPA	MANUAL,OP HB-1230 S3.2,SP	D08-31004-06,09-15,49,60-39999	1	
19	SUPO-684	PARTS MANUAL,1230 S3		1	
20	MISC-601	MANUAL,RESPONSIBILITIES A92.6		1	
21	MISC-600	MANUAL,AERIAL PF		1	
22	SUPO-674	DOC,HB-1230 UNIQUE FEATURES		1	
23	SUPO-688	MANUAL,MAINT HB-1230 S3	D08-30078-D08-30078	1	
24	SUPO-687	MANUAL,MAINT HB-1230 S3	D08-30100-D08-30127	1	
25	SUPO-687SPA	MANUAL,MAINT HB-830/1230 S3,FR	D08-30100-D08-30127	1	
26	SUPO-687FRC	MANUAL,MAINT HB-830/1230 S3,FR	D08-30100-D08-30127	1	
27	SUPO-678	MANUAL,MAINT HB-830/1230 S3	D08-20040-41,44-45,64-199,3000-30046	1	
28	SUPO-678FRC	MANUAL,MAINT HB-830/1230 S3,FR	D08-20040-41,44-45,64-199,3000-30046	1	
29	SUPO-678SPA	MANUAL,MAINT HB-830/1230 S3,FR	D08-20040-41,44-45,64-199,3000-30046;	1	
30	SUPO-696	MANUAL,MAINT HB-1230 S3.1	D08-30500-D08-31003,07-08,16-48,50-59	1	
31	SUPO-696FRC	MANUAL,MAINT HB-830/1230 S3,FR	D08-30500-D08-31003,07-08,16-48,50-59	1	
32	SUPO-696SPA	MANUAL,MAINT HB-830/1230 S3,FR	D08-30500-D08-31003,07-08,16-48,50-59	1	
33	SUPO-659	MANUAL,MAINT HBMD S2-RETRO	D08-29000-D08-29099	1	
34	SUPO-689	MANUAL,MAINT HB-1230 S3	D08-30128-D08-30499	1	
35	SUPO-689FRC	MANUAL,MAINT HB-830/1230 S3,FR	D08-30128-D08-30499	1	
36	SUPO-689SPA	MANUAL,MAINT HB-830/1230 S3,FR	D08-30128-D08-30499;	1	
37	SUPO-729	MANUAL,MAINT HB-1230 S3.2	D08-31004-06,09-15,49,31060-39999	1	
38	SUPO-729FRC	MANUAL,MAINT HB-1230 S3.2,FR	D08-31004-D08-31006	1	
39	SUPO-729SPA	MANUAL,MAINT HB-1230 S3.2,SP	D08-31004-D08-31006	1	
40	129-21-235-50-K	BEACON,FLASHING(AMBER) HBMD S2	D08-20040-D08-20199	1	

HY-BRID LIFTS™

BY CUSTOM EQUIPMENT LLC

Self-Propelled Aerial Work Platform
Parts Manual
HB-1230
Series III

© 2018 Custom Equipment, LLC
2647 Highway 175
Richfield, WI 53076
Tel. 262-644-1300
Fax: 262-644-1320
www.hybridlifts.com
service@customequipmentlifts.com

“Hy-Brid Lifts” is a trademark of Custom Equipment, LLC
These machines comply with ANSI/SIA A92.6 and CSA
B342.1-01

Revision Date: October 2018

Printed in the U.S.A.